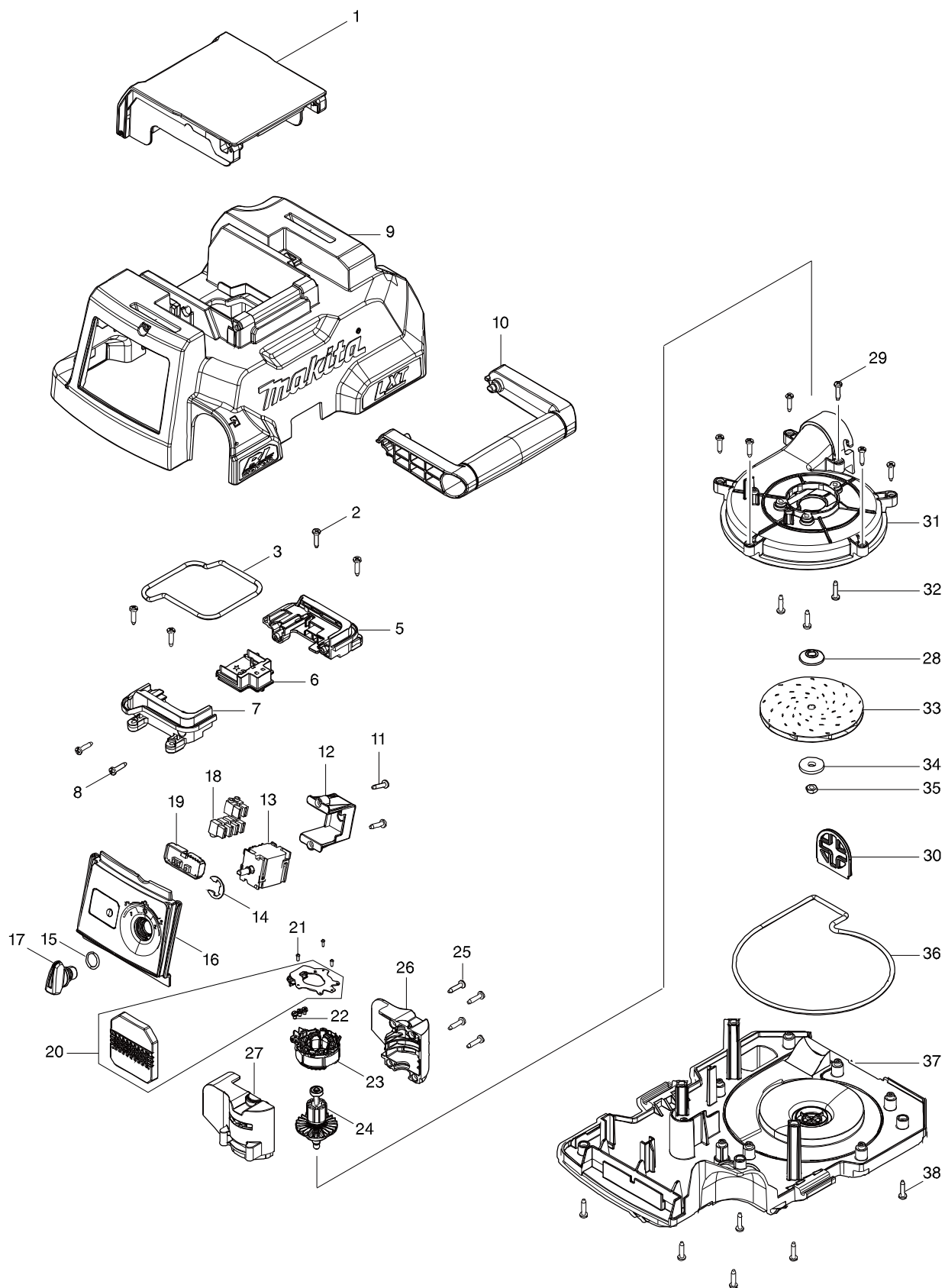
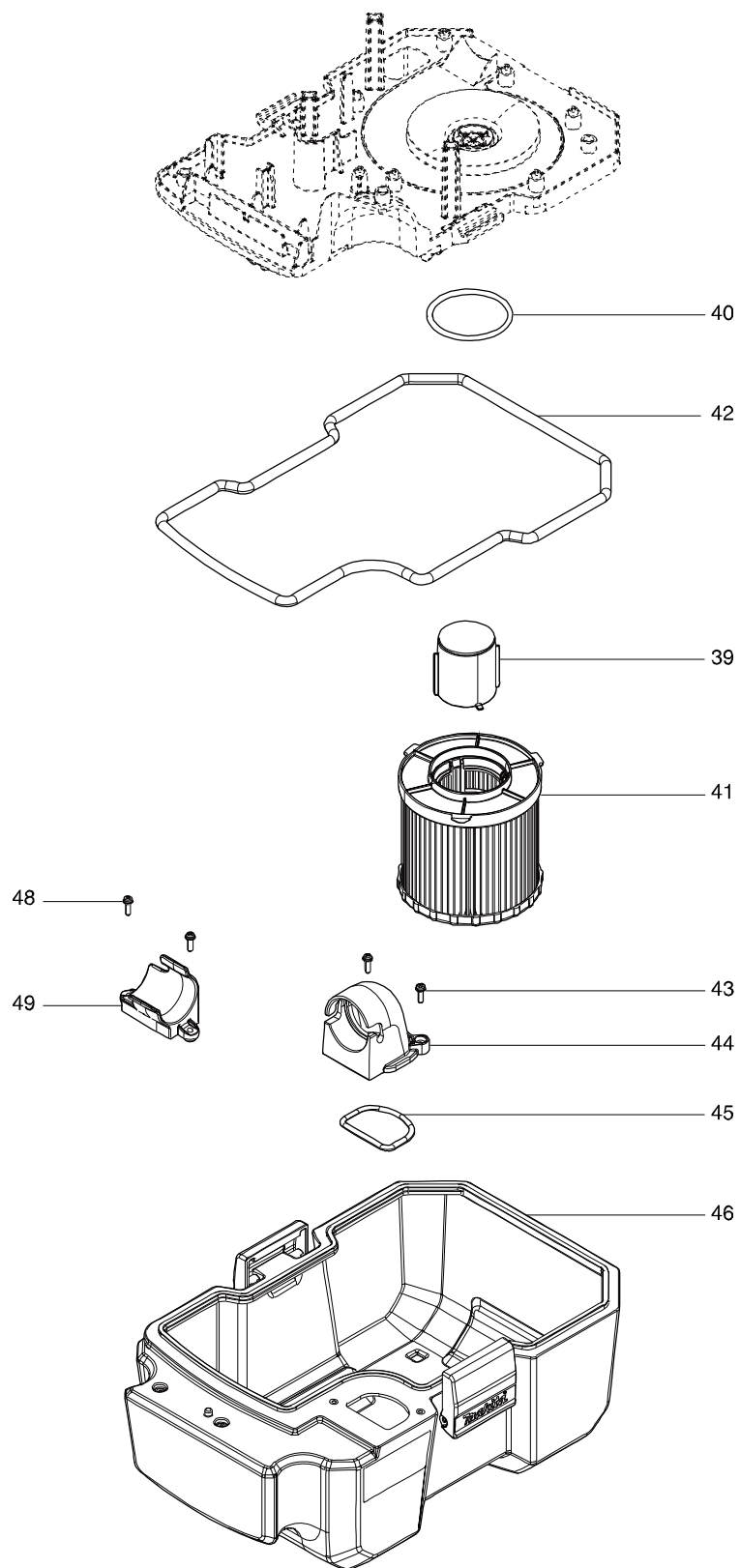


Číslo typu DVC750L DC PORTABLE VACUUM CLEANER



Číslo typu DVC750L DC PORTABLE VACUUM CLEANER



| Položka | Číslo dílu | Popis | Změn | Množstv | N/O | Možnost 1 | Možnost 2 | Poznámka |
|---------|------------|--------------------------|------|---------|-----|-----------|-----------|----------|
| 001 | 140G64-5 | BATTERY COVER COMPLETE | | 1 | | | | |
| C10 | 891978-6 | CAUTION LABEL | | 1 | | | | |
| 002 | 266326-2 | TAPPING SCREW 4X18 | | 4 | | | | |
| 003 | 422368-8 | SEAL RING E | | 1 | | | | |
| 004 | 855A83-9 | DVC750L SERIAL NO. LABEL | | 1 | | | | |
| 005 | 183K69-6 | TERMINAL CASE SET | | 1 | | | | |
| D10 | | INC. 7 | | | | | | |
| 006 | 644809-6 | TERMINAL | | 1 | | | | |
| 007 | 183K69-6 | TERMINAL CASE SET | | 1 | | | | |
| D10 | | INC. 5 | | | | | | |
| 008 | 266326-2 | TAPPING SCREW 4X18 | | 2 | | | | |
| 009 | 140G02-7 | TOP COVER COMPLETE | | 1 | | | | |
| 010 | 458886-0 | HANDLE | | 1 | | | | |
| 011 | 266326-2 | TAPPING SCREW 4X18 | | 2 | | | | |
| 012 | 451343-7 | SWITCH HOLDER | | 1 | | | | |
| 013 | 651382-9 | SWITCH 1703.4702 | | 1 | | | | |
| 014 | 961062-2 | STOP RING E-12 | | 1 | | | | |
| 015 | 213176-6 | O RING 14 | | 1 | | | | |
| 016 | 140G01-9 | SWITCH BASE COMPLETE | | 1 | | | | |
| C10 | 818F81-4 | INDICATION LABEL | | 1 | | | | |
| 017 | 457857-4 | SWITCH LEVER | | 1 | | | | |
| 018 | 686023-8 | RECEPTACLE SLEEVE | | 6 | | | | |
| 019 | 620A05-6 | INDICATOR CIRCUIT | | 1 | | | | |
| 020 | 620A06-4 | CONTROLLER | | 1 | | | | |
| 021 | 266490-9 | TAPPING SCREW PT 2X6 | | 3 | | | | |
| 022 | 652069-6 | FLAT HEAD SCREW M3X6 | | 3 | | | | |
| 023 | 629385-1 | STATOR | | 1 | | | | |
| 024 | 619540-3 | ROTOR | | 1 | | | | |
| 025 | 266326-2 | TAPPING SCREW 4X18 | | 4 | | | | |
| 026 | 183K70-1 | MOTOR HOUSING SET | | 1 | | | | |
| D10 | | INC. 27 | | | | | | |
| 027 | 183K70-1 | MOTOR HOUSING SET | | 1 | | | | |
| D10 | | INC. 26 | | | | | | |
| 028 | 313062-2 | FLANGE | | 1 | | | | |
| 029 | 266326-2 | TAPPING SCREW 4X18 | | 6 | | | | |
| 030 | 458973-5 | FAN COVER GUARD | | 1 | | | | |
| 031 | 458883-6 | FAN COVER | | 1 | | | | |
| 032 | 266326-2 | TAPPING SCREW 4X18 | | 3 | | | | |
| 033 | 240178-9 | FAN 104 | | 1 | | | | |
| 034 | 253752-4 | FLAT WASHER 8 | | 1 | | | | |
| 035 | 931303-0 | HEX. NUT M6 | | 1 | | | | |
| 036 | 422366-2 | SEAL RING C | | 1 | | | | |
| 037 | 458881-0 | TANK COVER | | 1 | * | | | |
| 037-1 | 162641-1 | TANK COVER COMPLETE | < | 1 | | | | |
| C10 | 422450-3 | SPONGE SHEET | | 1 | | | | |
| 038 | 266326-2 | TAPPING SCREW 4X18 | | 6 | | | | |
| 039 | 140G00-1 | FLOAT COMPLETE | | 1 | | | | |
| 040 | 422364-6 | SEAL RING A | | 1 | | | | |

