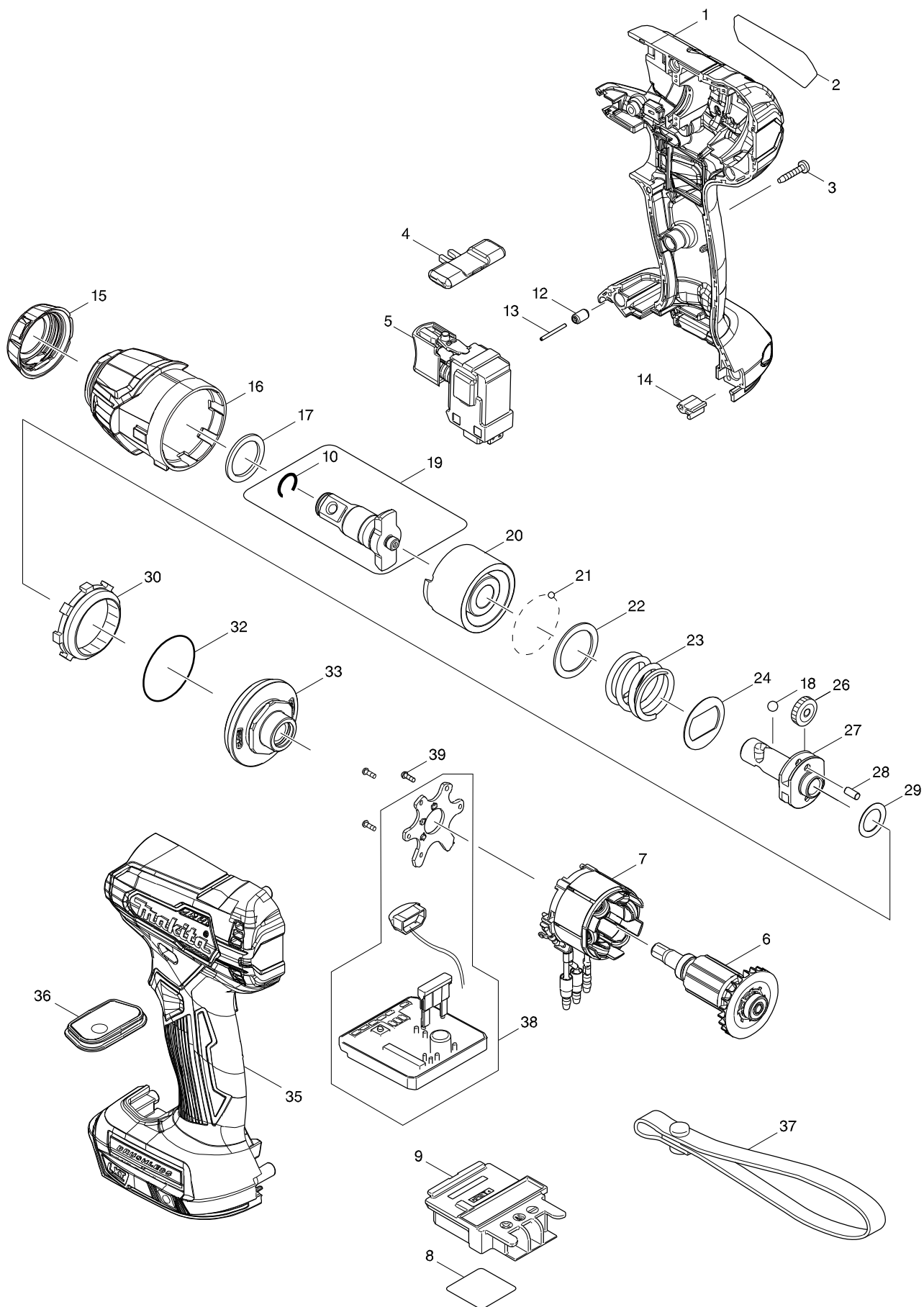


Číslo typu DTW181 CORDLESS IMPACT WRENCH



Položka	Číslo dílu	Popis	Změn	Množstv	N/O	Možnost 1	Možnost 2	Poznámka
001	183J24-2	HOUSING SET		1				
C10	263005-3	RUBBER PIN 6		2				
C20	252126-6	HEX. LOCKING NUT M4-7		2				
D10		INC. 35						
002	855C45-9	DTW181 NAME PLATE		1				
003	266429-2	TAPPING SCREW 3X16		9				
004	455053-8	F/R CHANGE LEVER		1				
005	143975-1	SWITCH COMPLETE		1				
C10	424890-1	SWITCH COVER		1				
006	619491-0	ROTOR		1				
007	629334-8	STATOR		1				
008	855C51-4	DTW181 SERIAL NO. LABEL		1				
009	643860-3	TERMINAL		1				
010	231907-1	RING SPRING 10		1				
012	263036-2	RUBBER PIN 5		1				
013	268284-8	PIN 1.5		1				
014	424517-3	CUSHION		1				
015	422407-4	BUMPER		1				
016	140E43-1	HAMMER CASE COMPLETE		1				
C10	213207-1	O RING 16		1	*			
C11	213882-3	O-RING 16	<	1				
017	261159-0	NYLON WASHER 19		1				
018	216002-8	STEEL BALL 4.8		2				
019	136030-6	ANVIL E ASSY		1				
D10		INC. 10						
020	327200-0	HAMMER		1				
021	216019-1	STEEL BALL 3		24				
022	267352-4	FLAT WASHER 22		1				
023	232489-6	COMPRESSION SPRING 21		1				
024	267813-4	WASHER 21		1				
026	221437-0	SPUR GEAR 17		2				
027	327046-4	SPINDLE		1				
028	268217-3	PIN 3.5		2				
029	253052-2	FLAT WASHER 12		1				
030	227316-0	INTERNAL GEAR 43		1				
032	213479-8	O RING 33		1				
033	140G75-0	BEARING BOX COMPLETE		1				
C10	213845-9	O-RING 13		1				
035	183J24-2	HOUSING SET		1				
C10	263005-3	RUBBER PIN 6		2				
C20	252126-6	HEX. LOCKING NUT M4-7		2				
D10		INC. 1						
036	144828-7	SWITCH PLATE COMPLETE		1				
038	620743-4	CONTROLLER		1				
039	266490-9	TAPPING SCREW PT 2X6		3				
A01	346317-0	HOOK		1				
A02	266622-8	+ TRUSS HEAD SCREW M4X12		1				
A03B	***DC18RC	DC18RC FAST CHARGER		1				

