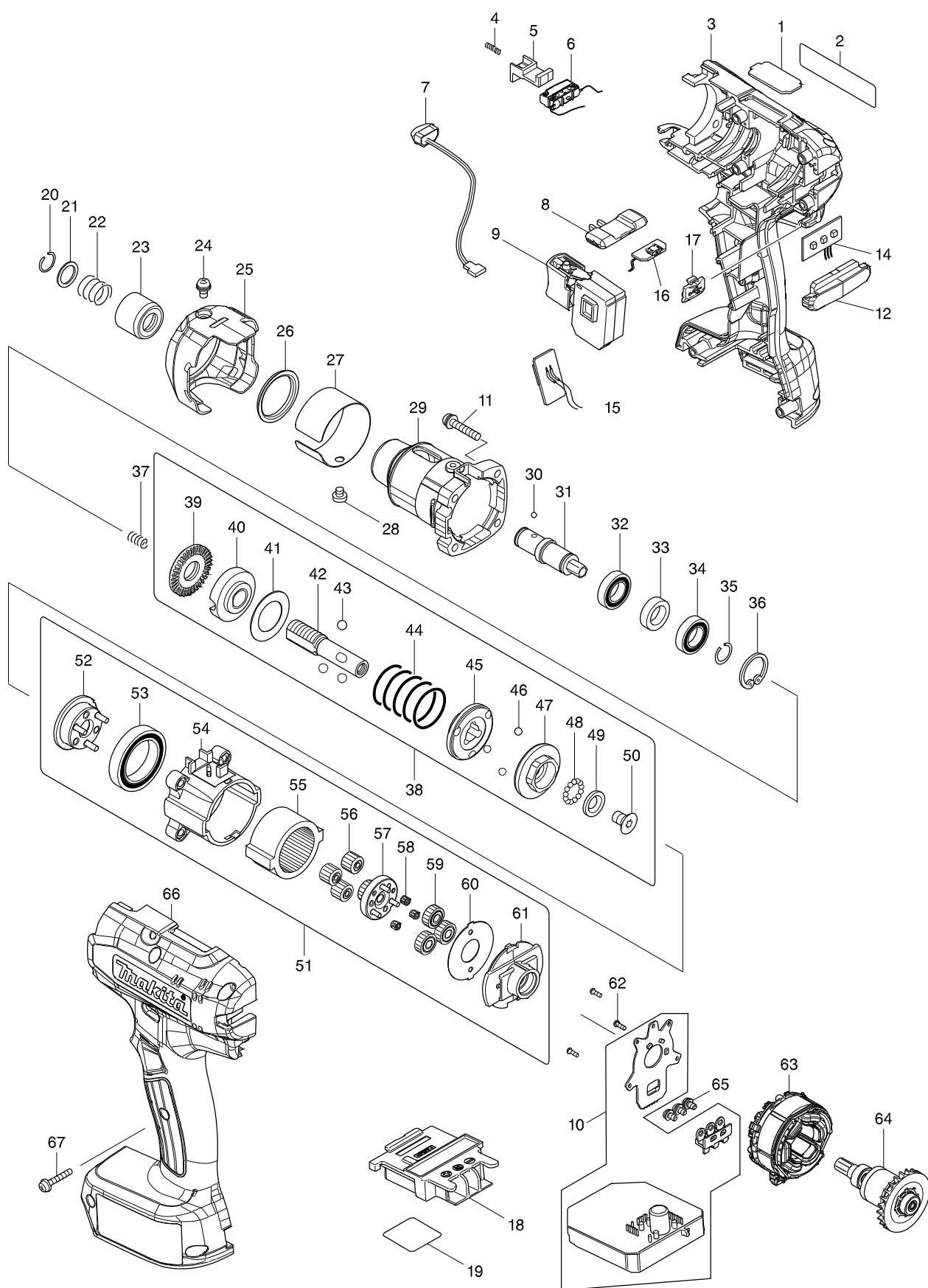


# Číslo typu DFT127F CORDLESS SCREWDRIVER



Položka	Číslo dílu	Popis	Změn	Množstv	N/O	Možnost 1	Možnost 2	Poznámka
001	345345-2	PLATE I		1				
002	853A60-5	DFT127F NAME PLATE		1				
003	183G11-3	HOUSING SET		1				
C10	263005-3	RUBBER PIN 6		2				
C20	931002-4	HEX. NUT M3		7				
D10		INC. 66						
004	233025-1	COMPRESSION SPRING 2		1				
005	418002-6	SWITCH LEVER		1				
006	632K18-5	SWITCH UNIT		1				
007	620521-2	LED CIRCUIT		1				
008	457469-3	F/R CHANGE LEVER		1				
009	651082-1	SWITCH C3JW-1B-S		1				
010	620620-0	CONTROLLER		1				
011	265145-3	+ PAN HEAD SCREW M4X22		4				
012	457484-7	LENS		1				
014	620622-6	LED CIRCUIT		1				
015	620621-8	BUZZER CIRCUIT		1				
016	620623-4	USB CIRCUIT		1				
017	144709-5	USB COVER		1				
018	643850-6	TERMINAL		1				
019	853A63-9	DFT127F SERIAL NO. LABEL		1				
020	231965-7	RING SPRING 10		1				
021	267143-3	FLAT WASHER 11		1				
022	233005-7	COMPRESSION SPRING 13		1				
023	162218-2	SLEEVE		1				
024	265171-2	PAN HEAD SCREW M4X8		1				
025	457470-8	CLUTCH CASE COVER		1				
026	424977-9	RING 25 BRACK		1				
027	345351-7	RING 38I		1				
028	265127-5	+ PAN HEAD SCREW M4X4		1				
029	319568-8	CLUTCH CASE		1				
030	216019-1	STEEL BALL 3		2				
031	324377-2	SPINDLE M		1				
032	211136-2	BALL BEARING 6801LLB		1				
033	257011-8	RING 12		1				
034	211136-2	BALL BEARING 6801LLB		1				
035	231951-8	RING SPRING 11		1				
036	962111-8	RETAINING RING R-21		1				
037	233019-6	COMPRESSION SPRING 5		1				
038	125394-3	CLUTCH ASS'Y G		1				
D10		INC. 39-50						
039	324834-0	LOCK NUT M12		1				
040	158408-3	ADJUST RING COMPLETE		1				
041	267276-4	FLAT WASHER 18		1				
042	324296-2	SPINDLE		1				
043	216018-3	STEEL BALL 5.0		3				
044	233358-4	COMPRESSION SPRING 19C		1				
045	223146-7	CAM D		1				

