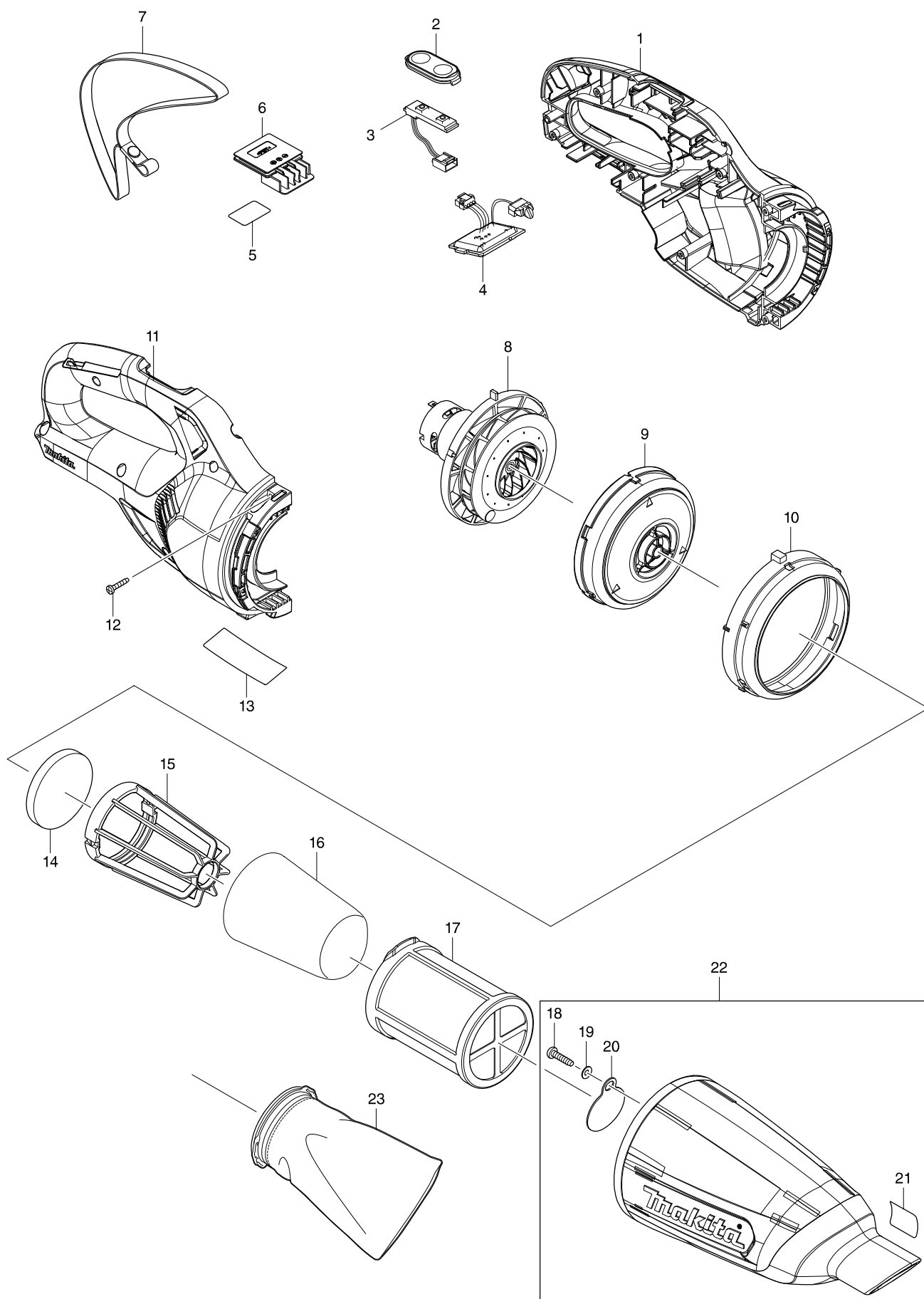


# Číslo typu CL108FD CORDLESS CLEANER



# Číslo typu CL108FD CORDLESS CLEANER

Strana 1 / 2

Položka	Číslo dílu	Popis	Změn	Množst	N/O	Možnost 1	Možnost 2	Poznámka
C10	424913-5	SPONGE SHEET 35-70		2				
D10		INC. 11						
001A	183K49-2	HOUSING SET		1				
001B	183K49-2	HOUSING SET		1				
001C	183K48-4	HOUSING SET		1				
002	144096-2	SWITCH PLATE COMPLETE		1				
003	631973-2	SWITCH UNIT		1				
004	632N07-8	CONTROLLER UNIT		1				
C10	620601-4	LED CIRCUIT		1				
005	854T81-4	CL108FD SERIAL NO. LABEL		1				
006	644813-5	TERMINAL		1				
008	126846-7	MOTOR ASSEMBLY		1				
009	458834-9	FAN COVER		1				
010	422377-7	RUBBER RING		1				
C10	424913-5	SPONGE SHEET 35-70		2				
D10		INC .1						
011A	183K49-2	HOUSING SET		1				
011B	183K49-2	HOUSING SET		1				
011C	183K48-4	HOUSING SET		1				
012	266429-2	TAPPING SCREW 3X16		7				
013	854T75-9	CL108FD NAME PLATE		1				
014	422268-2	SPONGE SHEET 57		1				
015	458467-0	STAY		1				
016	443060-3	FILTER		1				
017	451208-3	PRE-FILTER		1				
018	265995-6	TAPPING SCREW 4X18		1				
019	941051-3	FLAT WASHER 4		1				
020	424208-6	VALVE		1				
021	809293-4	INDICATION LABEL		1				
D10		INC. 18-21						
022A	140G25-5	CAPSULE COMPLETE		1				
022B	140G25-5	CAPSULE COMPLETE		1				
022C	140G24-7	CAPSULE COMPLETE		1				
C10	451410-8	ROLLER		4				
C20	268208-4	PIN 3		4				
C30	424096-1	WIPER		1				
A01A	123488-8	FLOOR T-NOZZLE 28 BLU		1				
A01B	123488-8	FLOOR T-NOZZLE 28 BLU		1				
A01C	123486-2	FLOOR T-NOZZLE 28 WHI		1				
A02A	451243-1	SASH NOZZLE 28 BLU		1				
A02B	451243-1	SASH NOZZLE 28 BLU		1				
A02C	451240-7	SASH NOZZLE 28 WHI		1				
A03A	451244-9	PIPE		1				
A03B	451244-9	PIPE		1				
A03C	451241-5	PIPE		1				
A04A	451245-7	SASH NOZZLE HOLDER		1				
A04B	451245-7	SASH NOZZLE HOLDER		1				
A04C	451242-3	SASH NOZZLE HOLDER		1				

