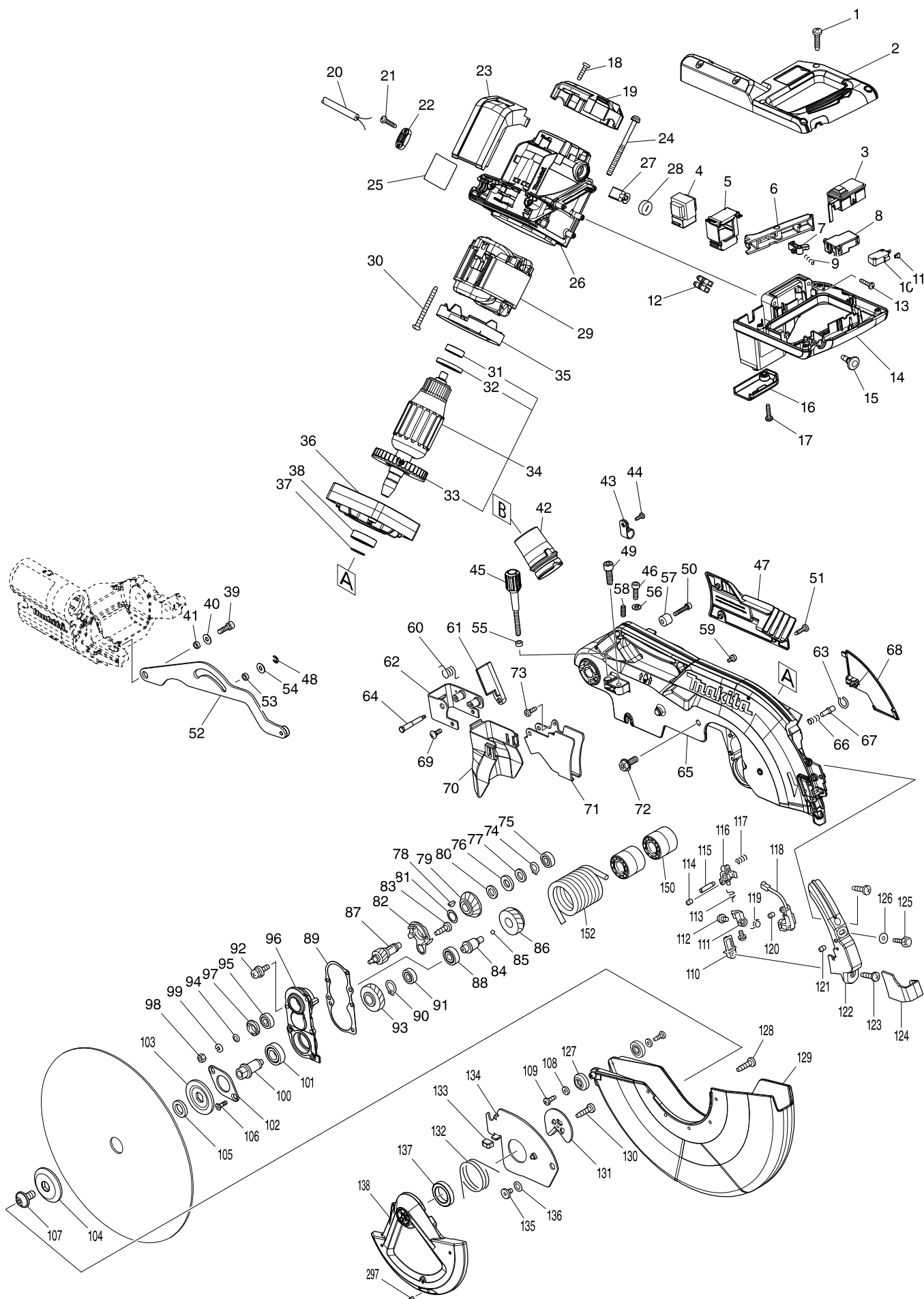
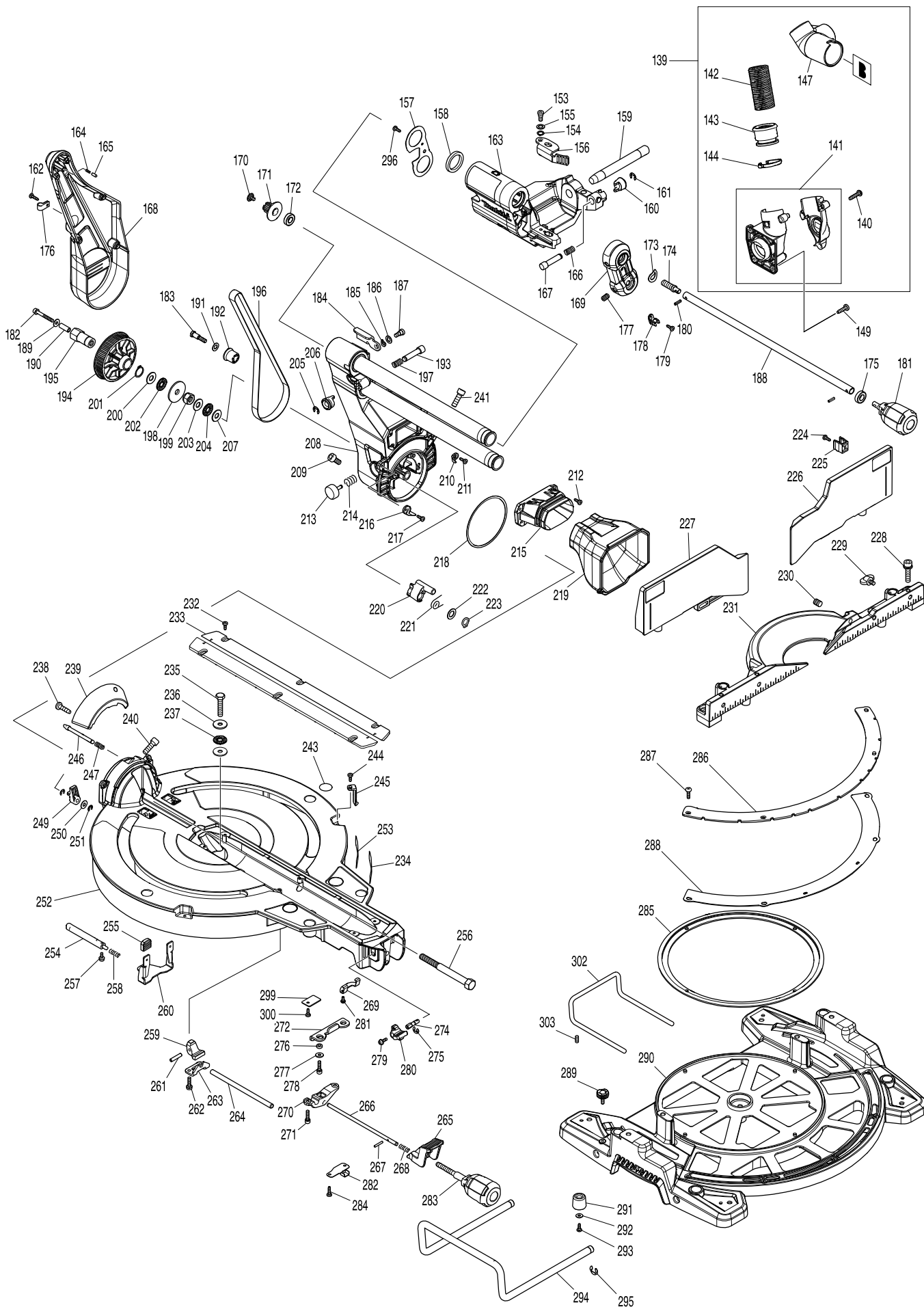


Číslo typu LS1219L 305MM SLIDE COMPOUND MITER SAW



Číslo typu LS1219L 305MM SLIDE COMPOUND MITER SAW



Položka	Číslo dílu	Popis	Změn	Množst	N/O	Možnost 1	Možnost 2	Poznámka
001	265995-6	TAPPING SCREW 4X18		6				
002	183H19-3	HANDLE SET		1				
C10	810486-8	CAUTION LABEL		1				
C20	808641-4	SWITCH INDICATION LABEL		1				
D10		INC. 14						
003	638652-3	LASER SWITCH UNIT		1				
004	631908-3	POWER SUPPLY CIRCUIT		1				
005	451412-4	CASE		1				
006	451003-1	SWITCH LEVER		1				
007	416356-5	LOCK-OFF LEVER		1				
008	650687-4	SWITCH TGC32B		1				
009	231026-3	COMPRESSION SPRING 4		1				
010	651941-9	SWITCH V-15-2A5		1				
011	686015-7	RECEPTACLE SLEEVE		2				
012	654531-7	TERMINAL BLOCK 2P		1				
013	265995-6	TAPPING SCREW 4X18		4				
014	183H19-3	HANDLE SET		1				
C10	810486-8	CAUTION LABEL		1				
C20	808641-4	SWITCH INDICATION LABEL		1				
D10		INC. 2						
015	451037-4	SWITCH BUTTON		1				
016	451000-7	LEAD COVER HOLDER		1				
017	265995-6	TAPPING SCREW 4X18		1				
018	265995-6	TAPPING SCREW 4X18		2				
019	457652-2	REAR COVER		1				
020	665865-3	POWER SUPPLY CORD 1.0-2-2.5		1				
021	265995-6	TAPPING SCREW 4X18		2				
022	687052-4	STRAIN RELIEF		1				
023	620811-3	CONTROLLER		1				
024	911948-0	PAN HEAD SCREW M6X80 WITH WR		4				
025	854B49-2	LS1219L NAME PLATE		1				
026	144533-6	MOTOR HOUSING COMPLETE		1				
C10	643660-1	BRUSH HOLDER 6.5-13.5		2				
027	181044-0	CARBON BRUSH CB-153		1				
028	643650-4	BRUSH HOLDER CAP 6.5-13.5		2				
029	596359-6	FIELD ASSEMBLY 240V		1				
C10	654020-2	RING TERMINAL		2				
C20	654502-4	CONNECTOR P-2		2				
030	266329-6	TAPPING SCREW 5X60		2				
031	210067-2	BALL BEARING 6000ZZ		1				
032	681642-5	INSULATION WASHER		1				
033	240001-8	FAN 80		1				
034	517844-6	ARMATURE ASSEMBLY 240V		1				
D10		INC. 31-33						
035	451194-8	BAFFLE PLATE		1				
036	318471-0	MOTOR BRACKET		1				
037	961057-5	RETAINING RING S-17		1				
038	211275-8	BALL BEARING 6003DDW		1				

Položka	Číslo dílu	Popis	Změn	Množst	N/O	Možnost 1	Možnost 2	Poznámka
039	922331-6	HEX. SOCKET HEAD BOLT M6X20		1				
040	253804-1	FLAT WASHER 6		1				
041	257163-5	RING 6		1	*			
041-1	257461-7	RING 6	X	1				
042	457704-9	DUST NOZZLE		1				
043	687042-7	STRAIN RELIEF		1				
044	266034-5	TAPPING SCREW CT 4X16		1				
045	251554-2	THUMB SCREW M6X40		1				
046	922332-4	HEX. SOCKET HEAD BOLT M6X20		1				
047	458146-0	LOGO PLATE		1				
048	961018-5	STOP RING E-5		1				
049	251547-9	HEX. SOCKET HEAD BOLT M8X25		1				
050	922251-4	HEX. SOCKET HEAD BOLT M5X30		1				
051	266034-5	TAPPING SCREW CT 4X16		3				
052	144929-1	LINK PLATE COMPLETE		1	*			
052-1	140J53-8	LINK PLATE COMPLETE	<	1				
053	257163-5	RING 6		1	*			
053-1	257461-7	RING 6	X	1				
054	253804-1	FLAT WASHER 6		1				
055	262001-8	URETHANE RING 5		1				
056	942151-2	SPRING WASHER 6		1				
057	257449-7	SLEEVE 6		1				
058	266321-2	H.S.SET SCREW(FLAT POINT)M6X16		1				
059	911114-9	PAN HEAD SCREW M4X10		2				
060	231675-6	TORSION SPRING 11		1	*			
060-1	232412-1	TORSION SPRING 11	X	1				
061	457764-1	DUST GUIDE PLATE		1				
062	161647-6	GUARD HOLDER		1				
063	231928-3	RING SPRING 8		1				
064	251544-5	SHOULDER HEX. BOLT M4		1				
065	144918-6	BLADE CASE COMPLETE		1	*			
C10	263005-3	RUBBER PIN 6		3	*			
C20	810064-4	LASER BEAM CAUTION LABEL		1	*			
C30	810354-5	LASER BEAM LABEL		1	*			
065-1	140F83-5	BLADE CASE COMPLETE	<	1				
C10	263005-3	RUBBER PIN 6		3				
C20	810064-4	LASER BEAM CAUTION LABEL		1				
C30	810354-5	LASER BEAM LABEL		1				
066	231240-1	COMPRESSION SPRING 7		1				
067	256633-1	PIN 6		1				
068	458148-6	LEAD COVER		1				
069	265028-7	+ PAN HEAD SCREW M4X11		1				
070	422235-7	GUARD		1				
071	347308-4	GUARD PLATE		1				
072	266283-4	HEX. SOCKET HEX. BOLT M8X20		1				
073	266020-6	TAPPING SCREW 4X12		1				
074	961052-5	RETAINING RING S-12		1				
075	210005-4	BALL BEARING 608DDW		1				

Položka	Číslo dílu	Popis	Změn	Množst	N/O	Možnost 1	Možnost 2	Poznámka
076	261104-5	RUBBER WASHER 12		1				
077	253744-3	FLAT WASHER 12		1				
078	254001-2	WOODRUFF KEY 4		1				
079	227550-2	SPIRAL BEVEL GEAR 32		1				
080	253744-3	FLAT WASHER 12		1				
081	253313-0	THIN WASHER 14		1				
082	451002-3	GREASE HOLDER		1				
083	266026-4	TAPPING SCREW BIND CT 4X12		2				
084	325643-0	GEAR SHAFT		1				
085	216024-8	STEEL BALL 4		1				
086	227702-5	HELICAL GEAR 27		1				
087	227701-7	HELICAL GEAR 14		1				
088	210067-2	BALL BEARING 6000ZZ		1				
089	442147-8	GASKET		1				
090	961055-9	RETAINING RING S-15		1				
091	210005-4	BALL BEARING 608DDW		1				
092	911223-4	PAN HEAD SCREW M5X16		3				
093	227703-3	HELICAL GEAR 28		1				
094	267010-2	FLAT WASHER 5		1				
095	210005-4	BALL BEARING 608DDW		1				
096	158957-0	BEARING BOX COMPLETE		1				
C10	263002-9	RUBBER PIN 4		1				
097	285847-5	BEARING RETAINER 14-23		1				
098	931202-6	HEX. NUT M5		1				
099	942101-7	SPRING WASHER 5		1				
100	325644-8	SPINDLE		1				
101	211236-8	BALL BEARING 6002DDW		1				
102	285732-2	BEARING RETAINER 51		1				
103	224431-1	INNER FLANGE 53		1				
104	224432-9	OUTER FLANGE 53		1				
105	257262-3	RING 16		1				
106	265034-2	+ COUNTERSUNK HEAD SCREW M5X16		2				
107	266755-9	HEX.SOCKET HEAD BOLT M10X20		1				
108	941051-3	FLAT WASHER 4		2				
109	266020-6	TAPPING SCREW 4X12		2				
110	418104-8	LENS		1				
111	419378-4	BLOCK B		1				
112	911003-8	PAN HEAD SCREW M3X6		2				
113	231664-1	TORSION SPRING 9		1				
114	266318-1	H.S.SET SCREW(FLAT POINT)M4X6		1				
115	266306-8	SHOULDER SCREW M5		1				
116	419379-2	BLOCK C		1				
117	233471-8	COMPRESSION SPRING 6		1				
118	638651-5	LASER CIRCUIT COMPLETE		1				
119	231664-1	TORSION SPRING 9		1				
120	266318-1	H.S.SET SCREW(FLAT POINT)M4X6		1				
121	266229-0	H.S.SET SCREW(CUP POINT)M5X8		2				
122	451195-6	LASER COVER		1	*			

Položka	Číslo dílu	Popis	Změn	Množst	N/O	Možnost 1	Možnost 2	Poznámka
122-1	458903-6	LASER COVER	<	1				
123	266034-5	TAPPING SCREW CT 4X16		2				
124	457664-5	PROTECTOR		1				
125	265753-0	THUMB SCREW M5X24		1				
126	253807-5	FLAT WASHER 5		1	*			
126-1	267066-5	FLAT WASHER 5	X	1				
127	424193-3	ROLLER		2				
128	266385-6	TAPPING SCREW 4X14		3				
129	458144-4	SAFETY COVER B		1				
130	266385-6	TAPPING SCREW 4X14		1				
131	347213-5	CENTER PLATE		1				
132	231634-0	TORSION SPRING 45		1				
133	424190-9	CUSHION		1				
134	347214-3	CENTER COVER		1				
135	265985-9	HEX.SOCKET HEAD BOLT M6		1				
136	253932-2	WAVE WASHER 10		1				
137	210168-6	BALL BEARING 6805DDW		1				
138	458437-9	SAFETY COVER A		1				
139	126792-4	DUST NOZZLE ASS'Y		1				
D10		INC. 140-144,147						
140	265995-6	TAPPING SCREW 4X18		3				
141	183H71-1	HOSE CONNECTOR SET		1				
142	245048-7	HOSE 28-0.5		1				
143	457672-6	SLEEVE		1				
144	457673-4	STOPPER		1				
147	458198-1	HOSE JOINT		1				
149	266034-5	TAPPING SCREW CT 4X16		3				
150	458149-4	SLEEVE 17		2				
152	233542-1	TORSION SPRING 40		1				
153	251267-5	+ PAN HEAD SCREW M6		1				
154	253948-7	WAVE WASHER 8		1				
155	253835-0	FLAT WASHER 8		1				
156	347221-6	STOPPER ARM		1				
157	347222-4	FRONT ARM PLATE		1				
158	262076-7	FELT RING 30		2				
159	326994-4	ROD 16		1				
160	271437-0	KNOB 22		1				
161	961013-5	STOP RING E-7		1				
162	266034-5	TAPPING SCREW CT 4X16		4				
163	144912-8	FRONT ARM COMPLETE		1				
C10	263005-3	RUBBER PIN 6		2				
164	233151-6	COMPRESSION SPRING 4		1				
165	256364-2	PIN 4		1				
166	232384-0	COMPRESSION SPRING 10		1				
167	326977-4	STOPPER PIN		1				
168	458145-2	ARM COVER		1				
169	144658-6	HOLDER COMPLETE		1				
C10	812X89-8	INDICATION LABEL		1				

Položka	Číslo dílu	Popis	Změn	Množst	N/O	Možnost 1	Možnost 2	Poznámka
170	265008-3	+ FLAT HEAD SCREW M5		1				
171	222191-9	PULLEY 17-19.3		1				
172	210167-8	BALL BEARING 6900LLB		1				
173	267804-5	WAVE WASHER 15		1				
174	326975-8	SHAFT		1				
175	210167-8	BALL BEARING 6900LLB		1				
176	687042-7	STRAIN RELIEF		1				
177	913416-9	SET SCREW M8X12		2				
178	416536-3	WRENCH HOLDER		1				
179	266026-4	TAPPING SCREW BIND CT 4X12		1				
180	951107-4	SPRING PIN 4-14		2				
181	273016-0	GRIP 50 B		1				
182	266440-4	HEX SOCKET HEAD BOLT M5X40		1				
183	251545-3	SHOULDER HEX. BOLT M6		1				
184	144930-6	STOP LEVER COMPLETE		1				
C10	812X87-2	INDICATION LABEL		1				
185	253948-7	WAVE WASHER 8		1				
186	253835-0	FLAT WASHER 8		1				
187	251267-5	+ PAN HEAD SCREW M6		1				
188	327054-5	PIN 9-418		1				
189	253194-2	FLAT WASHER 5		1				
190	257436-6	SLEEVE 5		1				
191	253165-9	FLAT WASHER 8		1				
192	457666-1	SLEEVE 20		1				
193	326977-4	STOPPER PIN		1				
194	222192-7	PULLEY 17-87.8		1				
195	327053-7	HEX. NUT M10-19		1				
196	225102-3	SYNCHRO BELT 15-810		1				
197	232384-0	COMPRESSION SPRING 10		1				
198	253388-9	FLAT WASHER 10		1				
199	252244-0	HEX.LOCK NUT M10-17		1				
200	253024-7	FLAT WASHER 10		1				
201	961057-5	RETAINING RING S-17		1				
202	216413-7	THRUST NEEDLE CAGE 1024		1				
203	253024-7	FLAT WASHER 10		1				
204	216413-7	THRUST NEEDLE CAGE 1024		1				
205	961013-5	STOP RING E-7		1				
206	271437-0	KNOB 22		1				
207	253024-7	FLAT WASHER 10		1				
208	144911-0	ARM COMPLETE		1				
C10	812X88-0	INDICATION LABEL		1				
209	251547-9	HEX.SOCKET HEAD BOLT M8X25		1				
210	458151-7	INDICATION PLATE R		1				
211	266026-4	TAPPING SCREW BIND CT 4X12		1				
212	266034-5	TAPPING SCREW CT 4X16		4				
213	415208-7	RELEASE BUTTON		1				
214	233031-6	COMPRESSION SPRING 12		1				
215	457654-8	DUST GUIDE HOLDER		1				

Položka	Číslo dílu	Popis	Změn	Množst	N/O	Možnost 1	Možnost 2	Poznámka
216	458150-9	INDICATION PLATE L		1				
217	266026-4	TAPPING SCREW BIND CT 4X12		1				
218	253389-7	WASHER 94		1				
219	422229-2	DUST GUIDE		1				
220	319593-9	STOPPER		1				
221	231646-3	TORSION SPRING 14		1				
222	253744-3	FLAT WASHER 12		1				
223	961052-5	RETAINING RING S-12		1				
224	266026-4	TAPPING SCREW BIND CT 4X12		2				
225	457668-7	HOLDER		2				
226	144925-9	UPPER FENCE R COMPLETE		1				
C10	810503-4	CAUTION LABEL		1				
227	144922-5	UPPER FENCE L COMPLETE		1				
C10	810503-4	CAUTION LABEL		1				
228	922458-2	H.S.H.BOLT M8X35 WITH WR		4				
229	251887-5	SCREW M6X10		2				
230	251561-5	H.SOCKET HEAD SET SCREW M10X12		2				
231	319565-4	GUIDE FENCE		1				
232	266026-4	TAPPING SCREW BIND CT 4X12		6				
233	451201-7	KERF BOARD		2				
235	265442-7	HEX. BOLT M8X40		1				
236	253852-0	FLAT WASHER 8		2				
237	216413-7	THRUST NEEDLE CAGE 1024		1				
238	266385-6	TAPPING SCREW 4X14		2				
239	458147-8	BEVEL SCALE PLATE		1				
240	251547-9	HEX.SOCKET HEAD BOLT M8X25		1				
241	251547-9	HEX.SOCKET HEAD BOLT M8X25		1				
243	813L22-1	CAUTION LABEL		2				
244	266026-4	TAPPING SCREW BIND CT 4X12		2				
245	457702-3	INDICATION PLATE		2				
246	326970-8	LOCK PIN 8		1				
247	234122-6	COMPRESSION SPRING 6		1				
249	457657-2	LEVER 25		1				
250	253804-1	FLAT WASHER 6		1				
251	961018-5	STOP RING E-5		2				
252	144928-3	TURN BASE COMPLETE		1				
D10		INC. 243,253						
253	812X85-6	CAUTION LABEL		1				
254	326973-2	ROD 12		1				
255	286039-9	CAP		2				
256	326976-6	CENTER SHAFT		1				
257	911113-1	PAN HEAD SCREW M4X10 WITH WR		2				
258	231325-3	COMPRESSION SPRING 6		1				
259	310803-7	TURN STOPPER		1				
260	347217-7	LEVER PLATE		1				
261	256186-0	PIN 5		1				
262	911231-5	PAN HEAD SCREW M5X20		2				
263	347219-3	STOPPER HOLDER		1				

Položka	Číslo dílu	Popis	Změn	Množst	N/O	Možnost 1	Možnost 2	Poznámka
264	327052-9	LOCK ROD		1				
265	457656-4	LOCK LEVER		1				
266	327051-1	LOCK PIN 6		1				
267	256158-5	PIN 3		1				
268	231325-3	COMPRESSION SPRING 6		1				
269	347237-1	CAM PLATE		1				
270	319592-1	PIN HOLDER		1				
271	922231-0	HEX. SOCKET HEAD BOLT M5X20		2				
272	347216-9	LOCK PLATE		1				
274	326972-4	ROD 6		1				
275	961011-9	STOP RING E-4		1				
276	257425-1	RING 5		2				
277	253194-2	FLAT WASHER 5		2				
278	922231-0	HEX. SOCKET HEAD BOLT M5X20		2				
279	911113-1	PAN HEAD SCREW M4X10 WITH WR		1				
280	144656-0	LEVER 25 COMPLETE		1				
C10	263005-3	RUBBER PIN 6		1				
281	911008-8	PAN HEAD SCREW M3X8		1				
282	345272-3	LOCK LEVER PLATE		1				
283	273015-2	GRIP 50A		1				
284	266026-4	TAPPING SCREW BIND CT 4X12		2				
285	457655-6	SLIDE PLATE		1				
286	347223-2	MITER SCALE PLATE		1	*			
286-1	347412-9	MITER SCALE PLATE	<	1				
287	251546-1	+ PAN HEAD SCREW M5		4				
288	347218-5	MITER LOCK PLATE		1				
289	265786-5	SCREW M5X16		2				
290	310891-4	BASE		1				
291	421845-7	FOOT		4				
292	267195-4	FLAT WASHER 4		4				
293	266026-4	TAPPING SCREW BIND CT 4X12		4				
294	327095-1	HOLDER 200		2				
295	961015-1	STOP RING E-9		2				
296	266026-4	TAPPING SCREW BIND CT 4X12		1				
297	266318-1	H.S.SET SCREW(FLAT POINT)M4X6		1				
299	232249-6	LEAF SPRING		1				
300	266026-4	TAPPING SCREW BIND CT 4X12		1				
301	688131-1	LINE FILTER		1				
302	327145-2	HOLDER 90		1				
303	266213-5	H.S.SET SCREW(FLAT POINT)M5X12		1				
304	232249-6	LEAF SPRING		1				
A01	122852-0	DUST BAG ASS'Y		1				
C10	410602-8	FASTENER		1				
A02	126617-2	WISE ASS'Y		1				
D10		COMPO-PARTS						
A03	762001-3	TRIANGULAR RULE		1				
A04	B-04606	TCT SAW BLADE 305X30X70T		1				
A05	781044-6	HEX. WRENCH 6		1				

