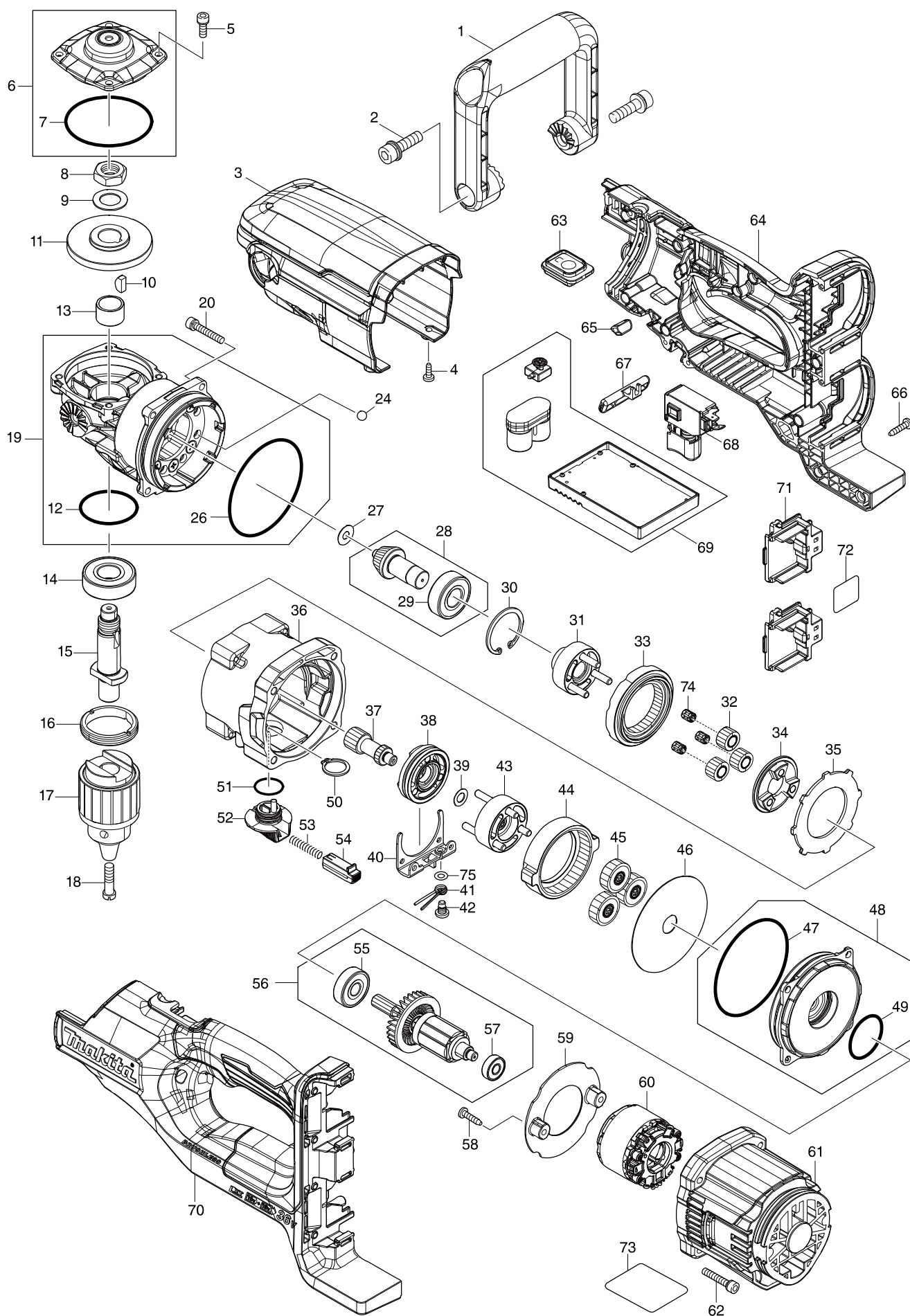


Číslo typu DDA460 CORDLESS ANGLE DRILL



Číslo typu DDA460 CORDLESS ANGLE DRILL

Strana 1 / 2

| Položka | Číslo dílu | Popis | Změn | Množst | N/O | Možnost 1 | Možnost 2 | Poznámka |
|---------|------------|------------------------------|------|--------|-----|-----------|-----------|----------|
| 001 | 458431-1 | FRONT GRIP | | 1 | | | | |
| 002 | 922453-2 | HEX.SOCKET HEAD BOLT M8X30 | | 2 | | | | |
| 003 | 458430-3 | TOP COVER | | 1 | | | | |
| 004 | 266026-4 | TAPPING SCREW BIND CT 4X12 | | 2 | | | | |
| 005 | 266086-6 | HEX. SOCKET HEAD BOLT M5X16 | | 4 | | | | |
| 006 | 140A21-7 | GEAR HOUSING COVER COMPLETE | | 1 | | | | |
| D10 | | INC. 7 | | | | | | |
| 007 | 213709-7 | O RING 63 | | 1 | | | | |
| 008 | 252182-6 | HEX. NUT M16-22 | | 1 | * | | | |
| 008-1 | 252267-8 | HEX. NUT M16-22 | < | 1 | | | | |
| 009 | 253771-0 | FLAT WASHER 16 | | 1 | | | | |
| 010 | 254032-1 | WOODRUFF KEY 5 | | 1 | | | | |
| 011 | 227416-6 | SPIRAL BEVEL GEAR 40 | | 1 | | | | |
| 012 | 213507-9 | O RING 40 | | 1 | | | | |
| 013 | 257440-5 | SLEEVE 17 | | 1 | | | | |
| 014 | 211278-2 | BALL BEARING 6203DDW | | 1 | | | | |
| 015 | 327106-2 | SPINDLE | | 1 | | | | |
| 016 | 285842-5 | BEARING RETAINER 36-43 | | 1 | | | | |
| 017 | 763250-5 | DRILL CHUCK S-13 | | 1 | | | | |
| 018 | 251463-5 | - FLAT HEAD SCREW M6X22 | | 1 | | | | |
| 019 | 140A22-5 | GEAR HOUSING COMPLETE | | 1 | | | | |
| C10 | 233326-7 | COMPRESSION SPRING 5 | | 8 | | | | |
| C20 | 256393-5 | SHOULDER PIN 5-8.5 | | 8 | | | | |
| C30 | 347364-4 | GUIDE PLATE | | 1 | | | | |
| C40 | 265148-7 | TORX SOCKET HEAD SCREW M5X14 | | 6 | | | | |
| D10 | | INC. 12,26 | | | | | | |
| 020 | 265695-8 | H. S. H. BOLT M5X30 WITH WRM | | 4 | | | | |
| 024 | 216022-2 | STEEL BALL 7.0 | | 8 | | | | |
| 026 | 213755-0 | O RING 75 | | 1 | | | | |
| 027 | 253411-0 | FLAT WASHER 6 | | 1 | | | | |
| 028 | 140A23-3 | SPIRAL BEVEL GEAR 13COMPLTE | | 1 | | | | |
| D10 | | INC. 29 | | | | | | |
| 029 | 211206-7 | BALL BEARING 6202LLB | | 1 | | | | |
| 030 | 962153-2 | RETAINING RING R-35 | | 1 | | | | |
| 031 | 140A13-6 | CARRIER A COMPLETE | | 1 | | | | |
| 032 | 226176-7 | SPUR GEAR 13 | | 3 | | | | |
| 033 | 226177-5 | INTERNAL GEAR 40 | | 1 | | | | |
| 034 | 223188-1 | CAM | | 1 | | | | |
| 035 | 347365-2 | WASHER 65 | | 1 | | | | |
| 036 | 140A16-0 | GEAR CASE COMPLETE | | 1 | | | | |
| 037 | 226175-9 | SPUR GEAR 14 | | 1 | | | | |
| 038 | 310876-0 | CHANGE RING | | 1 | | | | |
| 039 | 253215-0 | FLAT WASHER 8 | | 1 | | | | |
| 040 | 347366-0 | CHANGE GUIDE | | 1 | | | | |
| 041 | 231657-8 | TORSION SPRING 6 | | 1 | | | | |
| 042 | 265628-3 | + BINDING HEAD SCREW M5 | | 1 | | | | |
| 043 | 140A14-4 | CARRIER B COMPLETE | | 1 | | | | |
| 044 | 226174-1 | INTERNAL GEAR 71 | | 1 | | | | |

