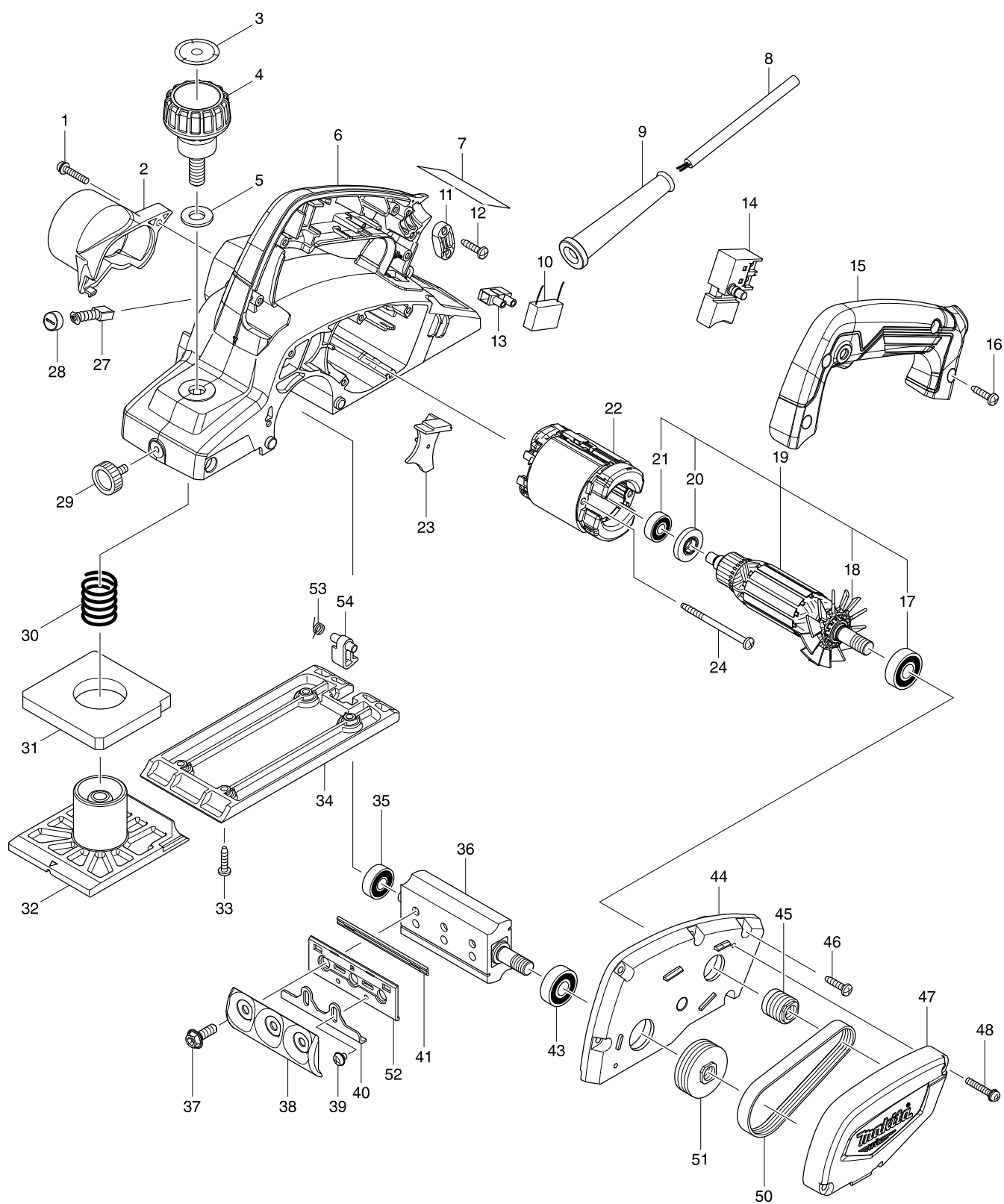


Číslo typu M1902 82MM PLANER



Položka	Číslo dílu	Popis	Změn	Množst	N/O	Možnost 1	Možnost 2	Poznámka
001	265147-9	+ PAN HEAD SCREW M4X22		1				
002	451329-1	adaptér hoblíku KP 0800		1				
003	809N37-6	SCALE LABEL		1				
004	271429-9	KNOB 44		1				
005	267278-0	FLAT WASHER 10		1				
006	143761-0	MAIN FRAME COMPLETE		1	*			
C10	643509-5	BRUSH HOLDER 6X9		2	*			
006-1	140A24-1	MAIN FRAME COMPLETE	S	1				
C10	643509-5	BRUSH HOLDER 6X9		2				
007	852K30-1	M1902 NAME PLATE		1				
008	695454-0	POWER SUPPLY CORD 1.0-2-2.0		1	*			
008-1	665852-2	POWER SUPPLY CORD 1.0-2-2.0	O	1				
009	682516-3	ochranná průchodka 9.3-85		1				
010	645190-8	kondenzátor		1				
011	687124-5	držák kabelu		1				
012	266841-6	TAPPING SCREW 4X18		2				
013	654532-5	kontakt		1				
014	650246-4	SWITCH TN14-3-C01-1		1				
015	456704-6	HANDLE COVER		1				
016	266841-6	TAPPING SCREW 4X18		4				
017	210141-6	BALL BEARING 6000DDW		1				
018	240068-6	FAN 52		1				
019	513479-1	ARMATURE ASS'Y 240V		1				
D10		INC. 17,18,20,21						
020	681672-6	INSULATION WASHER		1				
021	211382-7	BALL BEARING 607ZZ		1				
022	599066-0	FIELD ASS'Y 240V		1	*			
C10	654450-7	RING TERMINAL		2	*			
C20	654501-6	CONNECTOR P-1.25		2	*			
C21	654485-8	PARALLEL SPLICE	>	2	*			
022-1	599103-0	FIELD ASSY 240V	S	1				
C10	654450-7	RING TERMINAL		2				
C21	654485-8	PARALLEL SPLICE	>	2				
023	456707-0	ASSIST FAN GUIDE		1				
024	266334-3	šroub 4x60		2				
027	191940-4	uhlíky CB-411 = old 191938-1		1				
028	643987-9	víčko uhlíků MT952		2				
029	265757-2	THUMB SCREW M5X10		1				
030	233395-8	COMPRESSION SPRING 18		1				
031	421858-8	RUBBER PACKING		1				
032	319418-7	FRONT BASE		1				
033	266841-6	TAPPING SCREW 4X18		4				
034	318499-8	BASE		1	*			
034-1	319582-4	BASE	O	1				
035	210046-0	BALL BEARING 608ZZ		1				
036	161458-9	DRUM		1				
037	251482-1	HEX. SOCKET HEX. BOLT M6X17		6				
038	347024-8	DRUM PLATE		2				

