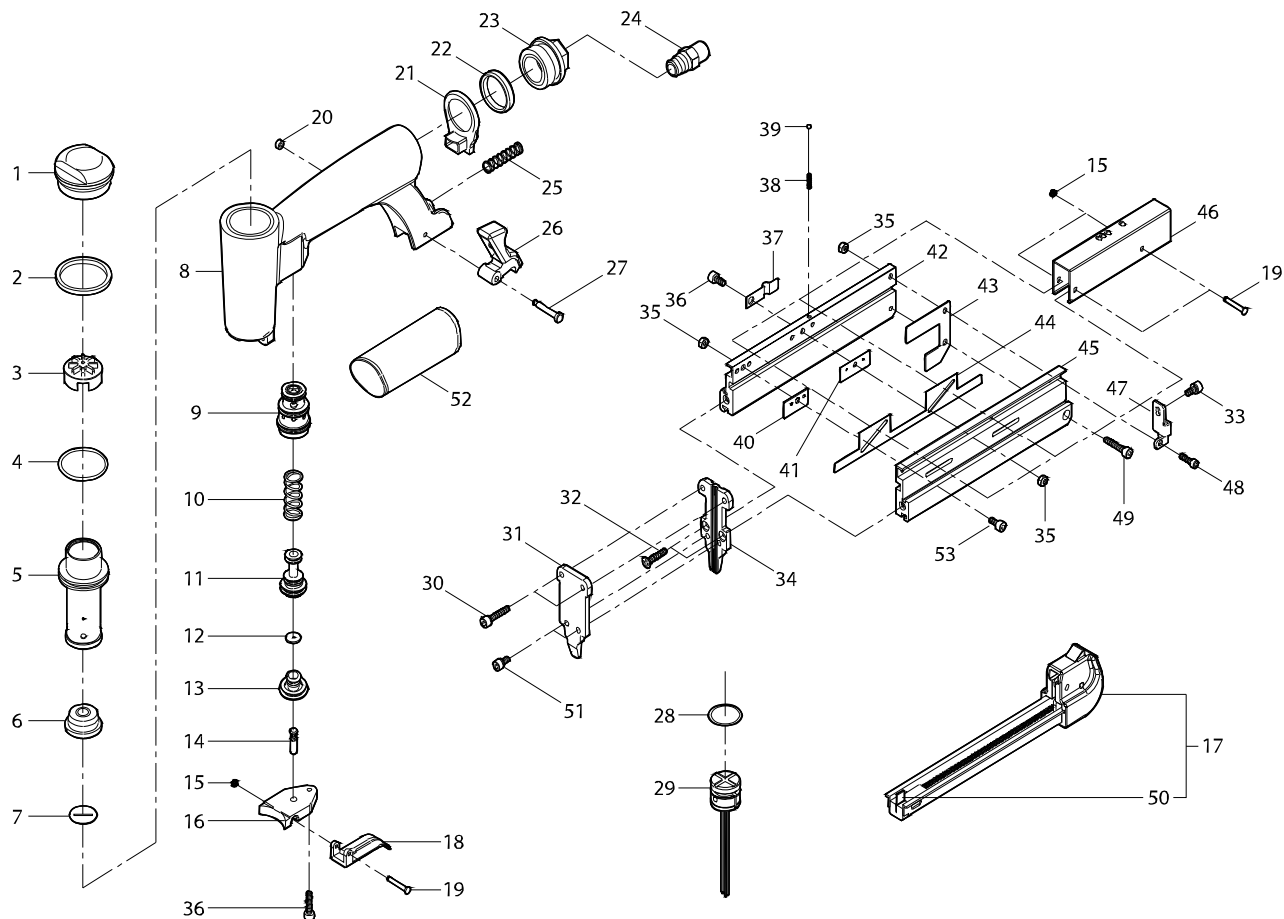


Číslo typu AF201Z 25MM PINNER



Položka	Číslo dílu	Popis	Změn	Množstv	N/O	Možnost 1	Možnost 2	Poznámka
001	A0301-0521	CYLINDER CAP		1				
002	A0311-0211	SEAL AIR		1				
003	A0305-0051	COLLAR		1				
004	A0200-1021	O RING 31.42X2.62		1				
005	A0303-0281	CYLINDER		1				
006	A0309-0251	BUMPER		1				
007	A0310-0301	NOZZLE WASHER		1				
008	A0401-0621	BODY		1				
009	K0500-0411	TRIGGER VALVE SITE SET		1				
010	A0100-0831	SPRING		1				
011	K0500-0421	TRIGGER VALVE PISTON SET		1				
012	A0505-0051	AIR SEAL		1				
013	K0500-0431	TRIGGER VALVE HEAD SET		1				
014	K0500-0441	TRIGGER VALVE STEM SET		1				
015	A0005-0311	PIN RETAINER 5.5X2		3				
016	A0503-0261	TRIGGER VALVE GUIDE		1				
017	K0700-2851	MAGAZINE SET		1				
018	A0500-0251	TRIGGER		1				
019	A0006-0351	PIN '2,9X22,4		3				
020	A0005-0291	PIN RETAINER 6X2,9		1				
021	A0304-0291	EXHAUST COVER		1				
022	A0201-0161	AIR SEAL		1				
023	A0306-0252	BODY END COVER		1				
024	K0300-2641	AIR PLUG		1				
025	A0100-0841	COMPRESSION SPRING		1				
026	A0709-0301	CLICK LEVER		1				
027	A0006-0411	PIN		1				
028	A0200-1341	O-RING 17X2,6		1				
029	K0600-1741	PISTON SET		1				
030	B0000-0021	SCREW SET		2				
031	B0800-0181	DRIVER GUDE COVER SET		1				
032	A0001-0001	SCREW M4X18		2				
033	B0000-0111	SCREW 4X12		1				
034	A0801-1891	DRIVER GUIDE		1				
035	A0004-0051	HEX. NUT M4		3				
036	A0000-0011	SCREW 4X8		2				
037	A0105-0031	STOPPER BLADE		1				
038	A0100-0551	COMPRESSION SPRING		1				
039	A0009-0021	STEEL BALL		1				
040	A0716-0281	GAP (A)		1				
041	A0716-0291	GAP (B)		1				
042	A0700-1051	UPPER MAG. (A)		1				
043	A0716-0271	GAP (C)		1				
044	A0714-0111	ADJUSTABLE PLATE		1				
045	A0700-1061	UPPER MAG. (B)		1				
046	A0714-0121	ADJUSTABLE COVER		1				
047	A0706-0851	MAGAZINE SUPPORT		1				
048	A0000-0211	SCREW M4X10		1				

