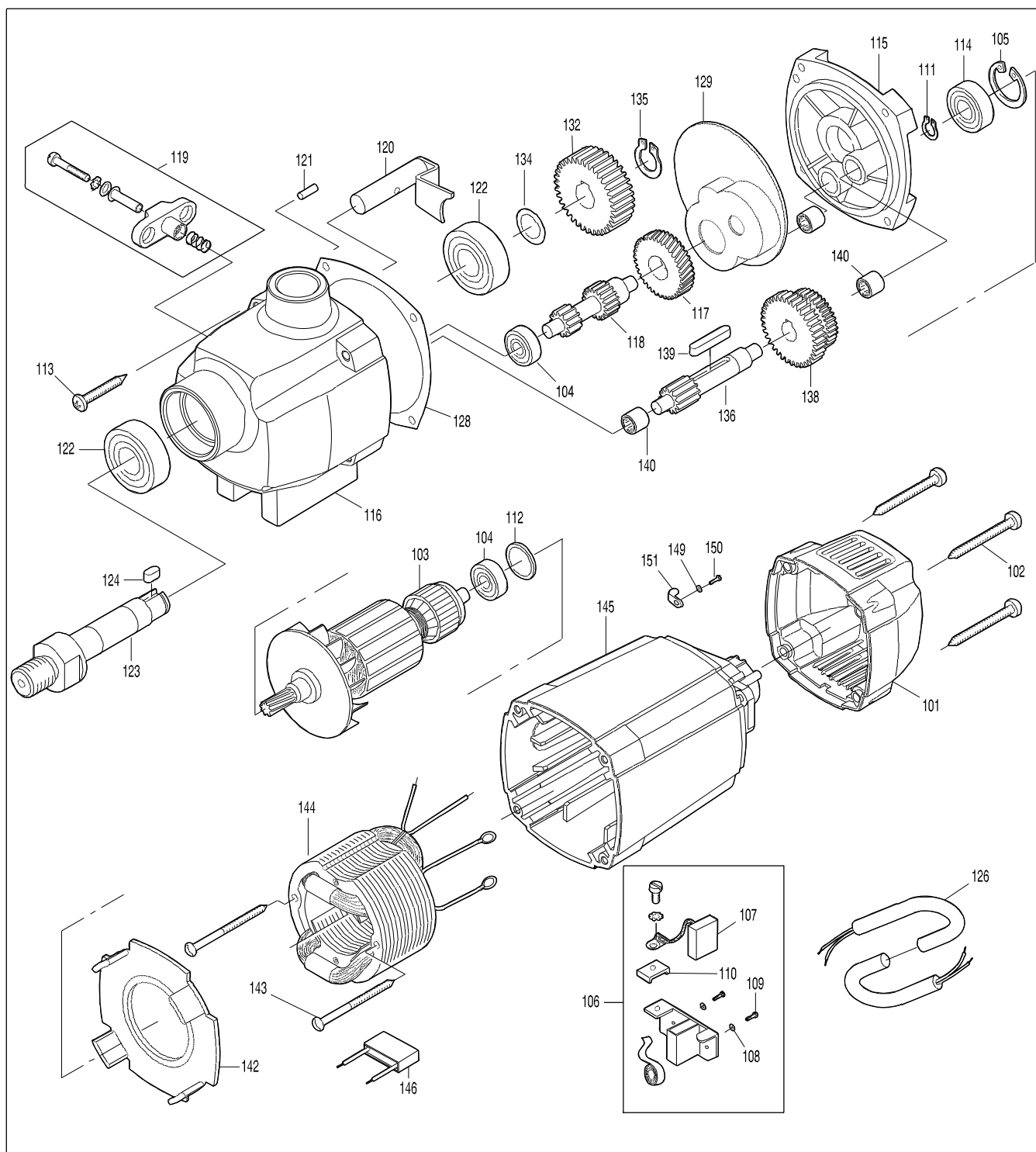


Číslo typu HB500 MAGNETIC DRILL



225

Číslo typu HB500 MAGNETIC DRILL

Položka	Číslo dílu	Popis	Změn	Množstv	N/O	Možnost 1	Možnost 2	Poznámka
101	UD00EIB202	CAP BLUE		1				
102	UD00EIB101	SELF TAPPING SCREW HC4 8X38		4				
103	UDEIB102-2	ROTOR CPL. 240V		1				
104	UD00UDC022	GROOVED BALL BEARING 608ZZ		1				
105	UD00EIB042	SNAP RING (CIRCLIP)28/1.2		1				
106	UD00EIB105	BRUSH HOLDER		2				
D10		INC. 107-110						
107	UD0EIB106C	PAIR OF CARBON BRUSHES		1				
108	UD00EIB172	SPRING WASHER B4		4				
109	UD00EIB108	SELF TAPPING SCREW ZM 4X12		4				
110	UD00EIB152	CONTACT WASHER		2				
111	UD00EIB143	SNAP RING (CIRCLIP) 11/1		1				
112	UD00EIB111	O-RING 22X2.5		1				
113	UD00EIB112	SELF TAPPING SCREW HC4.8X50		4				
114	UD00UDC023	GROOVED BALL BEARING 6001ZZ		1				
115	UD00EIB114	GEARBOX END SHIELD GREY		1				
116	UD00EIB115	GEARBOX HOUSING GREY		1				
117	UD00EIB117	INTERMEDIATE WHEEL (GEAR) 34Z		1				
118	UD00EIB007	TWO PINION SHAFT 11/17Z		1				
119	UD00EIB017	GEAR CHANGE CPL.		1				
120	UD00EIB008	COUPLING BOLT		1				
121	UD00EIB120	NOTCHED PIN PLUG 4X12		1				
122	UD00UDC014	GROOVED BALL BEARING 6203RS		2				
123	UD00EIB122	WORK SPINDLE		1				
124	UD00EIB034A	FITTING WASHER (WOODRUFF KEY)		1	*			
124-1	UD00EIB034A	WOODRUFF KEY A5X5X12	O	1				
126	UD00EIB125-2	CONNECTING CABLE 240V		1				
128	UD00EIB126	GEARBOX SEAL		1				
129	UD00EIB083	GREASE COMPARTMENT BARRIER		1				
132	UD00EIB004	SPINDLE WHEEL (GEAR) 45Z.		1				
134	UD00EIB076	LOCKING WASHER 15/22X0.2		1				
135	UD00EIB130	LOCKING RING (CIRCLIP) 15/1		1				
136	UD00EIB131	SHAFT TO GEARBOX 13Z.		1				
138	UD00EIB132	GEAR BLOCK 34/40Z.		1				
139	UD00EIB034A	FITTING WASHER (WOODRUFF KEY)		1	*			
139-1	UD00EIB034	WOODRUFF KEY A5X5X28	<	1				
140	UD00UDC020	NEEDLE SLEEVE (BEARING) HK0810		3				
142	UD00EIB135	AIR GUIDING RING		1				
143	UD00EIB136	SELF TAPPING SCREW HC 3,9X50		2				
144	UDEIB137-B	STATOR 240V		1				
145	UD00EIB203	MOTOR HOUSING BLUE		1				
146	UD00EIB139	CONDENSER		1				
149	UD00EIB206	DISC(WASHER) 3.2		1				
150	UD00EIB153	SELF TAPPING SCREW HC2.9X9.5		1				
151	UD00EIB085	FASTENING SCREW		1				
201	UD000M0034	MAGNET BASE		1				
202	UD00020348	BODY		1				
203	UD000M0081	PINION BUSH		2				

Položka	Číslo dílu	Popis	Změn	Množstv	N/O	Možnost 1	Možnost 2	Poznámka
204	UD000M0042	LARGE PINION		1				
205	UD000M0072	PINION END CAP (DEEP)		1				
206	UDSC620CAP	M6X20 CAP SCREW		1				
207	UD0060100A	BRASS STRIP		2				
208	UD00020389	GFS MINIBOR		1				
209	UD00010081	HANDLE (12MM SMALL)		3				
210	UD00010082	HANDLE KNOB		3				
211	UD00010084	TOP PLATE		1				
212	UDSC615CAP	M6 X 15 CAP SCREW		3				
213	UD0020305M	HB500 SWITCH PLATE		1				
214	UD00010215	RACK		1				
215	UD0030046A	SMALL OILCUP C/W TAP (BLACK)		1				
216	UD0010076C	OIL CUP RETAINING RING		1				
218	UD0010085A	M5X25 GRUB SCREW		6				
219	UD0010085B	M5 NYLOC NUT		6				
220	UD00010231	M16 STRAIN RELIEF GLAND		1				
221	UD00040026	M16 GLAND		2				
222	UD000BD062	QUICK RELEASE ARBOR COMPLETE		1				
223	UD000M0167	HB500 D5000 SLIDE		1				
224	UD000M0516	HB500 D5000 STEADY		1				
225	UD000EIB22	D5000 DRILL MOTOR 240V		1				
D10		INC. 101-124,126,128,129,132						
D20		INC. 134-136,138-140,142-146						
D30		INC. 149-151						
226	UD0M0050-2	INTEGRALCOOLANT SEAL		1				
227	UD000M0521	STEADY BUSH		1				
228	UD0M0050-1	INTEGRAL COOLANT SEAL		1				
229	UD000M0066	6MM PUSH FIT FITTING		1				
230	UDSC630CAP	M6X30 CAP SCREW		2				
231	UD00MM1-5G	PCB BOARD 240V		1				
232	UD00MM1-4M	LED BOARD MAKITA		1				
233	UD00MM1-22	GREEN LATCHING SWITCH		1				
234	UD00MM1-17	PCB BACK PLATE		1				
235	UD000MM1-1	MM1 MAGNET BUTTON YELLOW		1				
236	UD00MM1-10	MM1 POWER BUTTON RED		1				
237	UD000MM1-3	MM1 LED GROMMIT		3				
238	UDSC510BUT	M5X16 BUTTON HEADS CREW		4				
239	UD0050015C	1/8BSP 6MM BLACK PUSH FIT		1				
240	UD000BD029	6MM OIL PIPE		1				
241	UD000M0443	CONDUIT LARGE 12MM		1				
242	UD000VISO15	DRILL GUARD		1				
243	UD00010094	M6 GUARD SPACER		3				
244	UD000BD068	M5X10 GUARD THUMBSCREW		3				
247	UD000BD046	PCB BRASS SUPPORT		3				
248	UD0000TORX	TORX SECURITY SCREW / WASHER		1				
249	UDSC615CAP	M6 X 15 CAP SCREW		4				
250	UDSC615CAP	M6 X 15 CAP SCREW		4				
251	UDSC615CAP	M6 X 15 CAP SCREW		2				