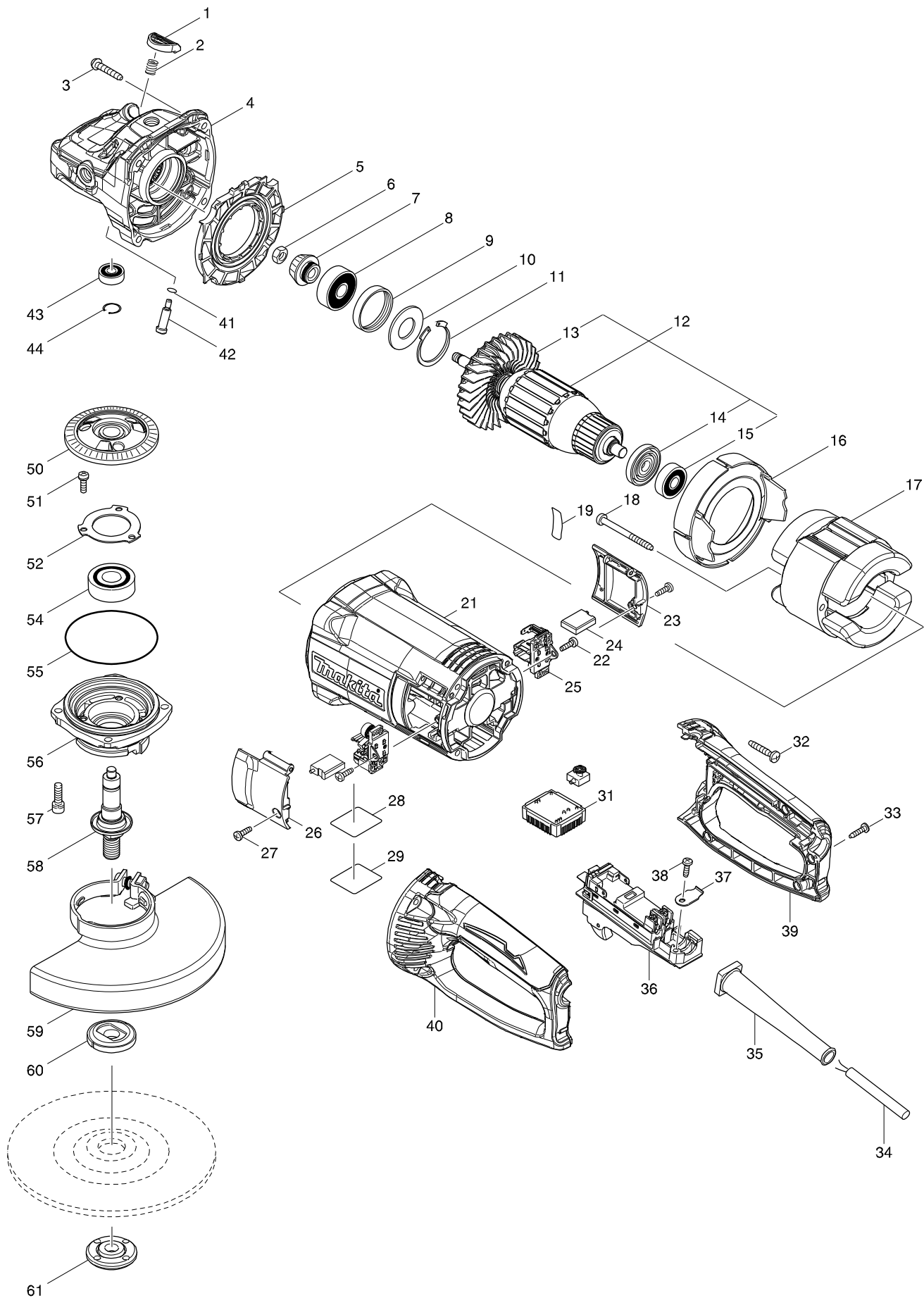


# Číslo typu GA7062R 180MM ANGLE GRINDER



Položka	Číslo dílu	Popis	Změn	Množstv	N/O	Možnost 1	Možnost 2	Poznámka
001	456247-8	PIN CAP		1				
002	234391-9	COMPRESSION SPRING 8		1				
003	251489-7	TAPPING SCREW 5X30		4				
004	143485-8	GEAR HOUSING COMPLETE		1				
C10	263002-9	RUBBER PIN 4		1				
005	456238-9	DIFFUSER		1				
006	252194-9	HEX. NUT M8		1				
007	227655-8	SPIRAL BEVEL GEAR 17		1				
008	211132-0	BALL BEARING 6301DDW		1				
009	262085-6	RUBBER RING 38		1				
010	267299-2	FLAT WASHER 20		1				
011	962211-4	RETAINING RING R-42		1				
012	513448-2	ARMATURE ASS'Y 220V		1				
D10		INC. 13-15						
013	240161-6	FAN 86		1				
014	681630-2	INSULATION WASHER		1				
015	211087-9	BALL BEARING 6200DDW		1				
016	456239-7	BAFFLE PLATE		1				
017	621779-6	FIELD 240V		1				
018	266044-2	TAPPING SCREW 5X60		2				
019	853D57-2	GA7062R SERIAL NO. LABEL		1				
021	456240-2	MOTOR HOUSING		1				
022	266192-7	TAPPING SCREW 4X14		2				
023	456246-0	BRUSH HOLDER COVER R		1				
024	197129-2	CARBON BRUSH CB-218		1				
025	643715-2	BRUSH HOLDER		2				
026	456245-2	BRUSH HOLDER COVER L		1				
027	266192-7	TAPPING SCREW 4X14		2				
028	853D55-6	GA7062R NAME PLATE		1				
029	809R72-8	CLEAR LABEL		1				
031	620588-0	CONTROLLER		1				
032	251489-7	TAPPING SCREW 5X30		4				
033	265995-6	TAPPING SCREW 4X18		4				
034	695107-1	POWER SUPPLY CORD 1.5-2-2.5		1				
035	682573-1	CORD GUARD 10		1				
036	632F79-5	SWITCH UNIT		1				
037	687169-3	STRAIN RELIEF		1				
038	266192-7	TAPPING SCREW 4X14		1				
039	183G25-2	HANDLE SET		1				
D10		INC. 40						
040	183G25-2	HANDLE SET		1				
D10		INC. 39						
041	213026-5	O RING 7		1				
042	256571-7	SHOULDER PIN 7		1				
043	211032-4	BALL BEARING 608ZZ		1				
044	233925-5	RING SPRING 13		1				
050	227656-6	SPIRAL BEVEL GEAR 55		1				
051	265120-9	PAN HEAD SCREW M5X16		3				

