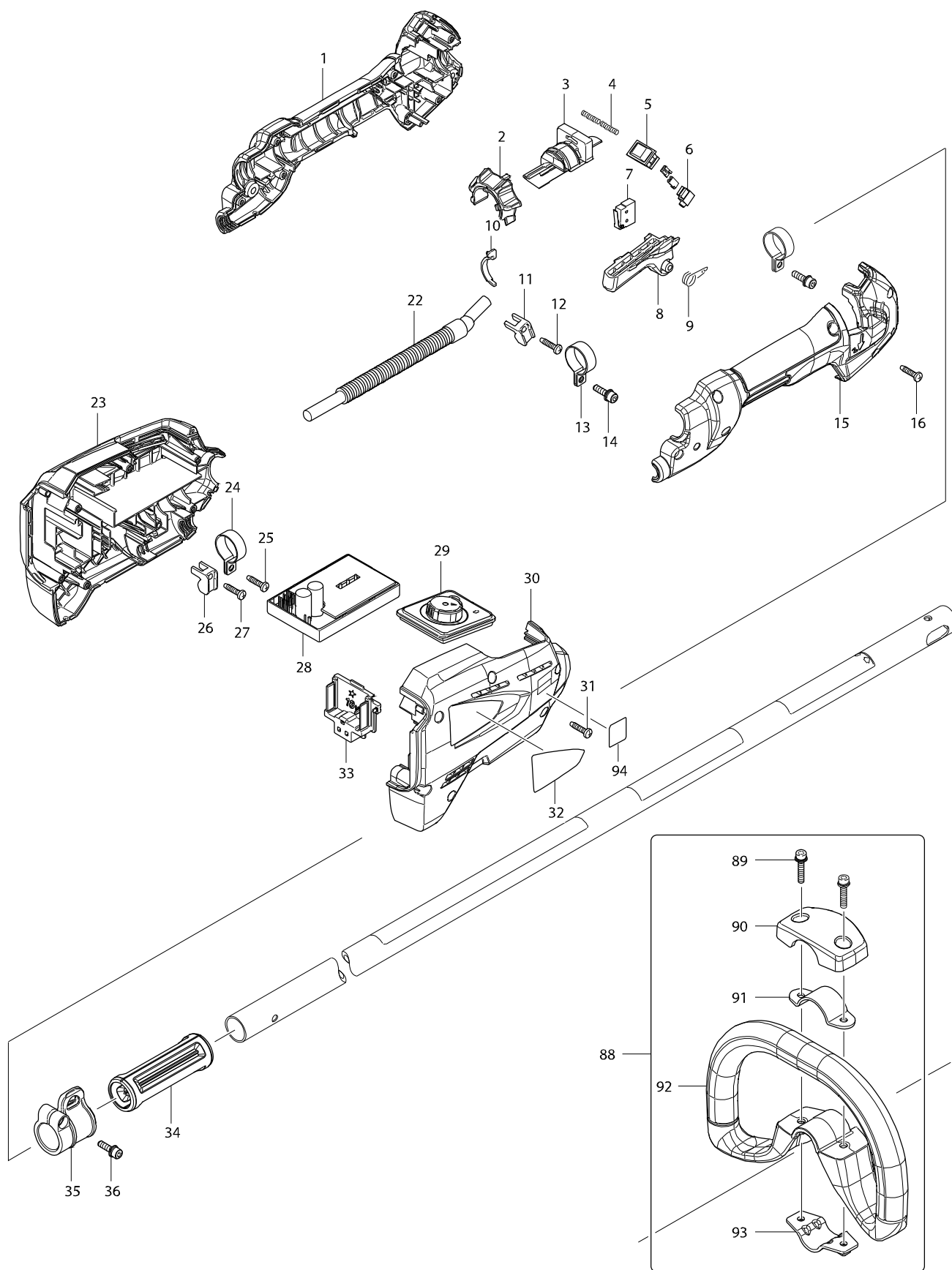
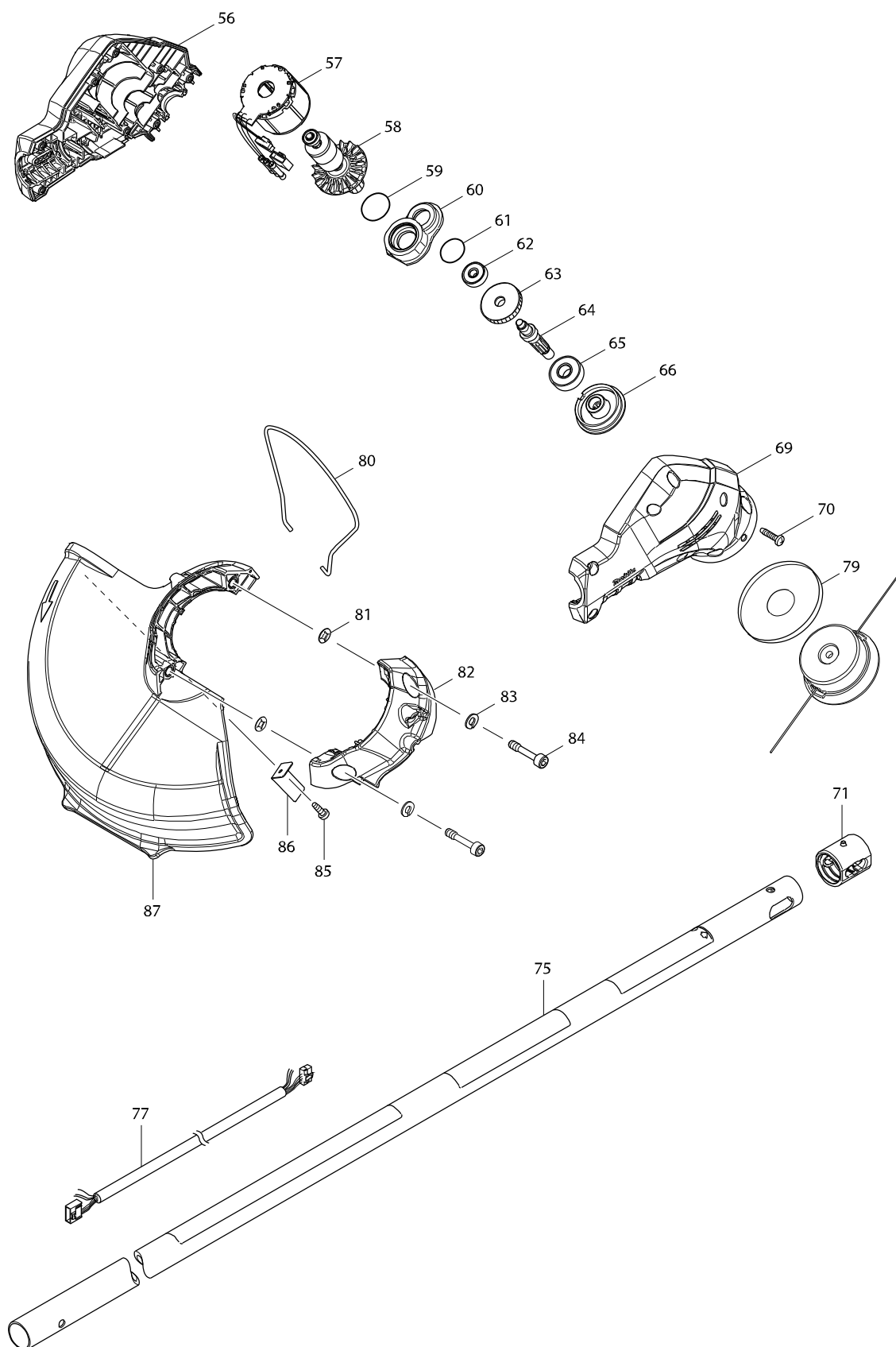


Číslo typu DUR182L CORDLESS GRASS TRIMMER



Číslo typu DUR182L CORDLESS GRASS TRIMMER



| Položka | Číslo dílu | Popis | Změn | Množstv | N/O | Možnost 1 | Možnost 2 | Poznámka |
|---------|------------|--------------------------|------|---------|-----|-----------|-----------|----------|
| 001 | 187698-1 | GRIP SET | | 1 | | | | |
| D10 | | INC. 15 | | | | | | |
| 002 | 454737-5 | LOCK OFF LEVER | | 1 | | | | |
| 003 | 454738-3 | LEVER BASE | | 1 | | | | |
| 004 | 234079-1 | COMPRESSION SPRING 4 | | 2 | | | | |
| 005 | 651533-4 | SWITCH SLE6A2-33 | | 1 | | | | |
| 006 | 686015-7 | RECEPTACLE SLEEVE | | 1 | | | | |
| 007 | 650704-0 | SWITCH D2SW-P01L1-3M | | 1 | | | | |
| 008 | 454736-7 | SWITCH LEVER | | 1 | | | | |
| 009 | 233612-6 | TORSION SPRING 10 | | 1 | | | | |
| 010 | 451985-7 | LEAD COVER | | 1 | | | | |
| 011 | 687261-5 | STRAIN RELIEF | | 1 | | | | |
| 012 | 265995-6 | TAPPING SCREW 4X18 | | 1 | | | | |
| 013 | 346248-3 | CLAMP 24 | | 2 | | | | |
| 014 | 922228-9 | H.S.H.BOLT M5X18 WITH WR | | 2 | | | | |
| 015 | 187698-1 | GRIP SET | | 1 | | | | |
| D10 | | INC. 1 | | | | | | |
| 016 | 265995-6 | TAPPING SCREW 4X18 | | 6 | | | | |
| 022 | 699064-5 | POWER SUPPLY CORD UNIT | | 1 | | | | |
| 023 | 187665-6 | HOUSING SET | | 1 | | | | |
| C10 | 263005-3 | RUBBER PIN 6 | | 2 | | | | |
| D10 | | INC. 30 | | | | | | |
| 024 | 346248-3 | CLAMP 24 | | 1 | | | | |
| 025 | 265995-6 | TAPPING SCREW 4X18 | | 1 | | | | |
| 026 | 687261-5 | STRAIN RELIEF | | 1 | | | | |
| 027 | 265995-6 | TAPPING SCREW 4X18 | | 1 | | | | |
| 028 | 620196-7 | CONTROLLER A | | 1 | | | | |
| 029 | 142134-4 | SUB CONTROLLER COMPLETE | | 1 | | | | |
| 030 | 187665-6 | HOUSING SET | | 1 | | | | |
| C10 | 263005-3 | RUBBER PIN 6 | | 2 | | | | |
| D10 | | INC. 23 | | | | | | |
| 031 | 265995-6 | TAPPING SCREW 4X18 | | 6 | | | | |
| 032 | 814X28-4 | DUR182L NAME PLATE | | 1 | | | | |
| 033 | 644808-8 | TERMINAL | | 1 | | | | |
| 034 | 451601-1 | SPACER 24 | | 1 | | | | |
| 035 | 168478-4 | HANGER | | 1 | | | | |
| 036 | 922228-9 | H.S.H.BOLT M5X18 WITH WR | | 1 | | | | |
| 056 | 187585-4 | MOTOR HOUSING SET | | 1 | | | | |
| D10 | | INC. 69 | | | | | | |
| 057 | 629985-7 | STATOR | | 1 | | | | |
| 058 | 619324-9 | ROTOR | | 1 | | | | |
| 059A | 213961-7 | O RING 22 | | 1 | * | | | |
| 059B | 213961-7 | O RING 22 | | 1 | * | | | |
| 059-1A | 213373-4 | O RING 22 | O | 1 | | | | |
| 059-1B | 213373-4 | O RING 22 | O | 1 | | | | |
| 059-1C | 213373-4 | O RING 22 | | 1 | | | | |
| 060 | 318978-6 | BEARING BOX | | 1 | | | | |
| 061 | 213325-5 | O RING 19 | | 1 | | | | |

| Položka | Číslo dílu | Popis | Změn | Množstv | N/O | Možnost 1 | Možnost 2 | Poznámka |
|---------|------------|-----------------------------|------|---------|-----|-----------|-----------|----------|
| 062 | 210022-4 | BALL BEARING 626DDW | | 1 | * | | | |
| 062-1 | 210143-2 | BALL BEARING 626ZZ | O | 1 | | | | |
| 063 | 227773-2 | HELICAL GEAR 31 | | 1 | | | | |
| 064 | 326275-6 | CUTTER SHAFT | | 1 | | | | |
| 065 | 210059-1 | BALL BEARING 6000DDW | | 1 | | | | |
| 066 | 324917-6 | RECEIVE WASHER | | 1 | * | | | |
| 066-1 | 326906-7 | RECEIVE WASHER | < | 1 | | | | |
| 069 | 187585-4 | MOTOR HOUSING SET | | 1 | | | | |
| D10 | | INC. 56 | | | | | | |
| 070 | 265995-6 | TAPPING SCREW 4X18 | | 8 | | | | |
| 071 | 424567-8 | RUBBER SLEEVE 24 | | 1 | | | | |
| 075 | 142241-3 | PIPE COMPLETE | | 1 | | | | |
| C10 | 898861-8 | CAUTION LABEL | | 1 | | | | |
| C20 | 819312-8 | MAKITA LOGO LABEL | | 1 | | | | |
| 077 | 699059-8 | POWER SUPPLY CORD UNIT | | 1 | | | | |
| 079 | 346622-5 | GUARD | | 1 | | | | |
| 080 | 326348-5 | WIRE GUARD | | 1 | | | | |
| 081 | 413143-3 | WASHER | | 2 | | | | |
| 082 | 454641-8 | PROTECTOR HOLDER | | 1 | | | | |
| 083 | 942151-2 | SPRING WASHER 6 | | 2 | | | | |
| 084 | 266579-3 | HEX SOCKET HEAD BOLT M6X30 | | 2 | | | | |
| 085 | 266427-6 | TAPPING SCREW 4X12 | | 1 | | | | |
| 086 | 346725-5 | CUTTER | | 1 | | | | |
| 087 | 454640-0 | PROTECTOR | | 1 | | | | |
| 088 | 195626-2 | LOOP HANDLE SET | | 1 | | | | |
| D10 | | INC. 89-93 | | | | | | |
| 089 | 922243-3 | HEX. SOCKET HEAD BOLT M5X25 | | 2 | | | | |
| 090 | 452843-0 | CLAMP COVER B | | 1 | | | | |
| 091 | 346468-9 | CLAMP 33 | | 1 | | | | |
| 092 | 452841-4 | LOOP HANDLE | | 1 | | | | |
| 093 | 346467-1 | CLAMP 24 | | 1 | * | | | |
| 093-1 | 347094-7 | CLAMP 24 | O | 1 | | | | |
| 094 | 802H58-1 | SOUND 90DB LABEL | | 1 | | | | |
| A01 | 123235-7 | CUTTER ASSEMBLY | | 1 | | | | |
| A02 | 125516-5 | BAND ASSEMBLY | | 1 | | | | |
| A03 | 195246-2 | SAFETY GOGGLE | | 1 | | | | |
| A04 | 783202-0 | HEX. WRENCH 4 | | 1 | | | | |
| A05 | 783217-7 | HEX. WRENCH 5 | | 1 | | | | |
| A06 | 831304-7 | ACCESSORY BAG | | 1 | | | | |
| A07B | 450128-8 | BATTERY COVER | | 1 | | | | |
| A07C | 450128-8 | BATTERY COVER | | 1 | | | | |
| A08B | ***DC18RC | DC18RC FAST CHARGER | | 1 | | | | |
| A08C | ***DC18RC | DC18RC FAST CHARGER | | 1 | | | | |
| A09B | 194204-5 | BATTERY BL1830 SET | | 1 | * | | | |
| A09-1B | 194204-5 | BATTERY BL1830 SET | O | 1 | * | | | |
| A09-1C | 196399-0 | BATTERY BL1840 SET | | 1 | * | | | |
| A09-2B | 197600-6 | BATTERY BL1830B SET | < | 1 | | | | |
| A09-2C | 197265-4 | BATTERY BL1840B SET | < | 1 | | | | |