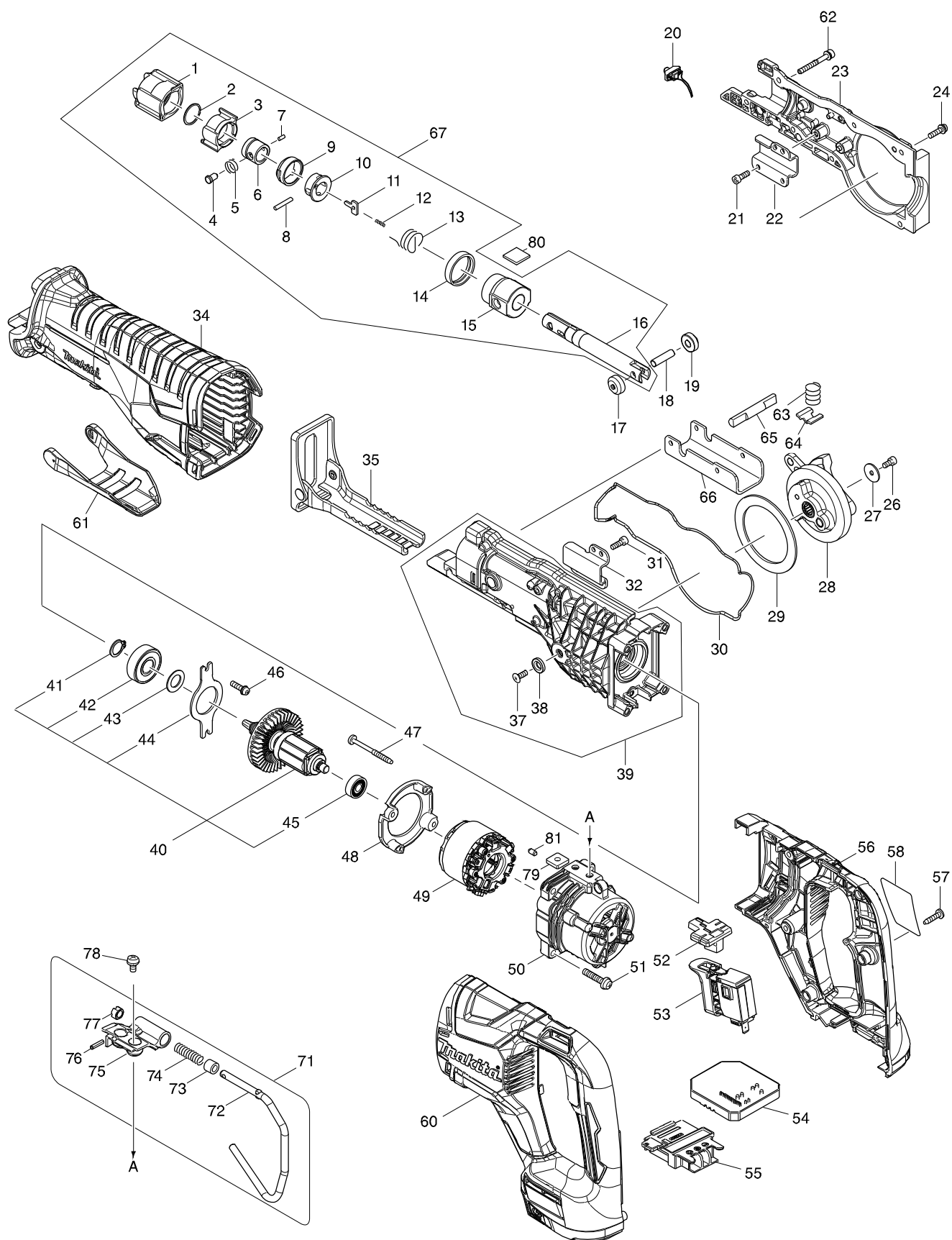


Číslo typu DJR187 CORDLESS RECIPRO SAW



Položka	Číslo dílu	Popis	Změn	Množstv	N/O	Možnost 1	Možnost 2	Poznámka
001	424763-8	PROTECTOR		1				
002	257952-8	RETAINING RING (EXT) 18		1				
003	310662-9	DRIVING SLEEVE		1				
004	256569-4	SHOULDER PIN 5		1				
005	234381-2	COMPRESSION SPRING 6		1				
006	331720-8	GUIDE SLEEVE		1				
007	268094-3	PIN 3		1				
008	256158-5	PIN 3		1				
009	417791-0	DRIVING SLEEVE GUIDE		1				
010	418311-3	SLEEVE		1				
011	345214-7	PUSH PLATE		1				
012	233025-1	COMPRESSION SPRING 2		1				
013	231687-9	TORSION SPRING 17		1				
014	424762-0	RUBBER RING		1				
015	143365-8	SLIDER GUIDE COMPLETE		1				
C10	213151-2	OIL SEAL 14		1				
C20	213174-0	X RING 14		1				
016	161376-1	SLIDER		1				
017	310663-7	ROLLER		1				
018	268341-2	PIN 6		1				
019	310663-7	ROLLER		1				
020	620434-7	LED CIRCUIT		1				
021	922117-8	HEX. SOCKET HEAD BOLT M4X12		2	*			
021-1	265353-6	HEX. SOCKET HEAD BOLT M4X12	<	2				
022	346936-2	ROD GUIDE R		1				
023	143362-4	GEAR HOUSING R COMPLETE		1				
024	911128-8	P.H.SCREW M4X16 WITH WR		5				
026	922107-1	HEX. SOCKET HEAD BOLT M4X8		1	*			
026-1	265911-8	HEX. SOCKET HEAD BOLT M4X8	<	1				
027	267491-0	FLAT WASHER 4		1				
028	143359-3	GEAR COMPLETE		1				
029	267490-2	FLAT WASHER 54		1				
030	424764-6	SEAL RING		1				
031	922117-8	HEX. SOCKET HEAD BOLT M4X12		2	*			
031-1	265353-6	HEX. SOCKET HEAD BOLT M4X12	<	2				
032	346935-4	ROD GUIDE L		1				
034	424765-4	INSULATION COVER		1				
035	161374-5	SHOE		1				
037	912112-6	COUNTERSUNK HEAD SCREW M4X10		1	*			
037-1	265135-6	+ COUNTERSUNK HEAD SCREW M4X	<	1				
038	253825-3	FLAT WASHER 6		1				
039	123509-6	GEAR HOUSING L ASSEMBLY		1	*			
D10		INC. 37,38			*			
039-1	126677-4	GEAR HOUSING L ASSEMBLY	<	1				
D10		INC. 37,38						
040	519391-3	ROTOR ASSY		1	*			
D10		INC. 41-45			*			
040-1	519418-9	ROTOR ASSY	O	1				

Položka	Číslo dílu	Popis	Změn	Množstv	N/O	Možnost 1	Možnost 2	Poznámka
D10		INC. 41-45						
041	961052-5	RETAINING RING S-12		1				
042	210118-1	BALL BEARING 6201DDW		1				
043	253744-3	FLAT WASHER 12		1				
044	285740-3	BEARING RETAINER 66		1				
045	210062-2	BALL BEARING 607ZZ		1				
046	911128-8	P.H.SCREW M4X16 WITH WR		2				
047	266069-6	TAPPING SCREW 4X45		2				
048	456178-1	BAFFLE PLATE		1				
049	629179-4	STATOR		1				
050	456179-9	MOTOR HOUSING		1				
051	911243-8	PAN HEAD SCREW M5X25		4				
052	456177-3	CHANGE BUTTON		1				
053	650759-5	SWITCH C3JW-6B-2		1				
054	620432-1	CONTROLLER A		1				
055	643899-6	TERMINAL		1	*			
055-1	643874-2	TERMINAL	S	1				
056	183C47-8	HANDLE SET		1	*			
C10	263005-3	RUBBER PIN 6		2	*			
D10		INC. 60			*			
056-1	183D21-2	HANDLE SET	S	1				
C10	263005-3	RUBBER PIN 6		2				
D10		INC. 60						
057	266326-2	TAPPING SCREW 4X18		6				
058	851P12-0	DJR187 NAME PLATE		1				
060	183C47-8	HANDLE SET		1	*			
C10	263005-3	RUBBER PIN 6		2	*			
D10		INC. 56			*			
060-1	183D21-2	HANDLE SET	S	1				
C10	263005-3	RUBBER PIN 6		2				
D10		INC. 56						
061	456176-5	LOCK LEVER		1				
062	266979-7	HEX.SOCKET HEAD BOLT M4X35 WR		2				
063	231231-2	COMPRESSION SPRING 12		1				
064	346938-8	SHOE LOCK PLATE		1				
065	326599-0	LOCK PIN		1				
066	346937-0	SHOE GUIDE PLATE		1				
067	123510-1	SLIDER ASSEMBLY		1				
D10		INC. 1-16						
071	123455-3	HOOK ASSEMBLY		1				
D10		INC. 72-77						
072	281223-1	HOOK		1				
073	262561-0	SLEEVE 6		1				
074	233455-6	COMPRESSION SPRING 7		1				
075	319344-0	JOINT		1				
076	951057-3	SPRING PIN 3-12		1				
077	310661-1	LOCK SLEEVE		1				
078	911206-4	PAN HEAD SCREW M5X10		2				

Položka	Číslo dílu	Popis	Změn	Množství	N/O	Možnost 1	Možnost 2	Poznámka
079	264002-2	SQUARE NUT M5		2				
080	424858-7	FELT 16X16		1				
081	263002-9	RUBBER PIN 4		1				
A01	B-05169	RECIPROSAWBLADE FOR METAL		1				
A02	B-05175	RECIPROSAWBLADE FOR WOOD		1				
A03B	821620-5	PLASTIC CARRYING CASE		1				
C10	162271-8	LATCH		2				
A03C	821620-5	PLASTIC CARRYING CASE		1				
C10	162271-8	LATCH		2				
A03D	821620-5	PLASTIC CARRYING CASE		1				
C10	162271-8	LATCH		2				
A04B	807X19-2	DJR187RME PLASTIC CASE LABEL		2				
A04C	807X25-7	DJR187RTE PLASTIC CASE LABEL		2				
A04D	807X10-0	DJR187RFE PLASTIC CASE LABEL		2				
A05B	450128-8	BATTERY COVER		1				
A05C	450128-8	BATTERY COVER		1				
A05D	450128-8	BATTERY COVER		1				
A06B	***DC18RC	DC18RC FAST CHARGER		1				
D10		COMPO-PARTS						
A06C	***DC18RC	DC18RC FAST CHARGER		1				
D10		COMPO-PARTS						
A06D	***DC18RC	DC18RC FAST CHARGER		1				
D10		COMPO-PARTS						
A07B	197265-4	BATTERY BL1840B SET		2				
A07C	197280-8	BATTERY BL1850B SET		2				
A07D	194204-5	BATTERY BL1830 SET		2	*			
A07-1D	197600-6	BATTERY BL1830B SET	<	2				