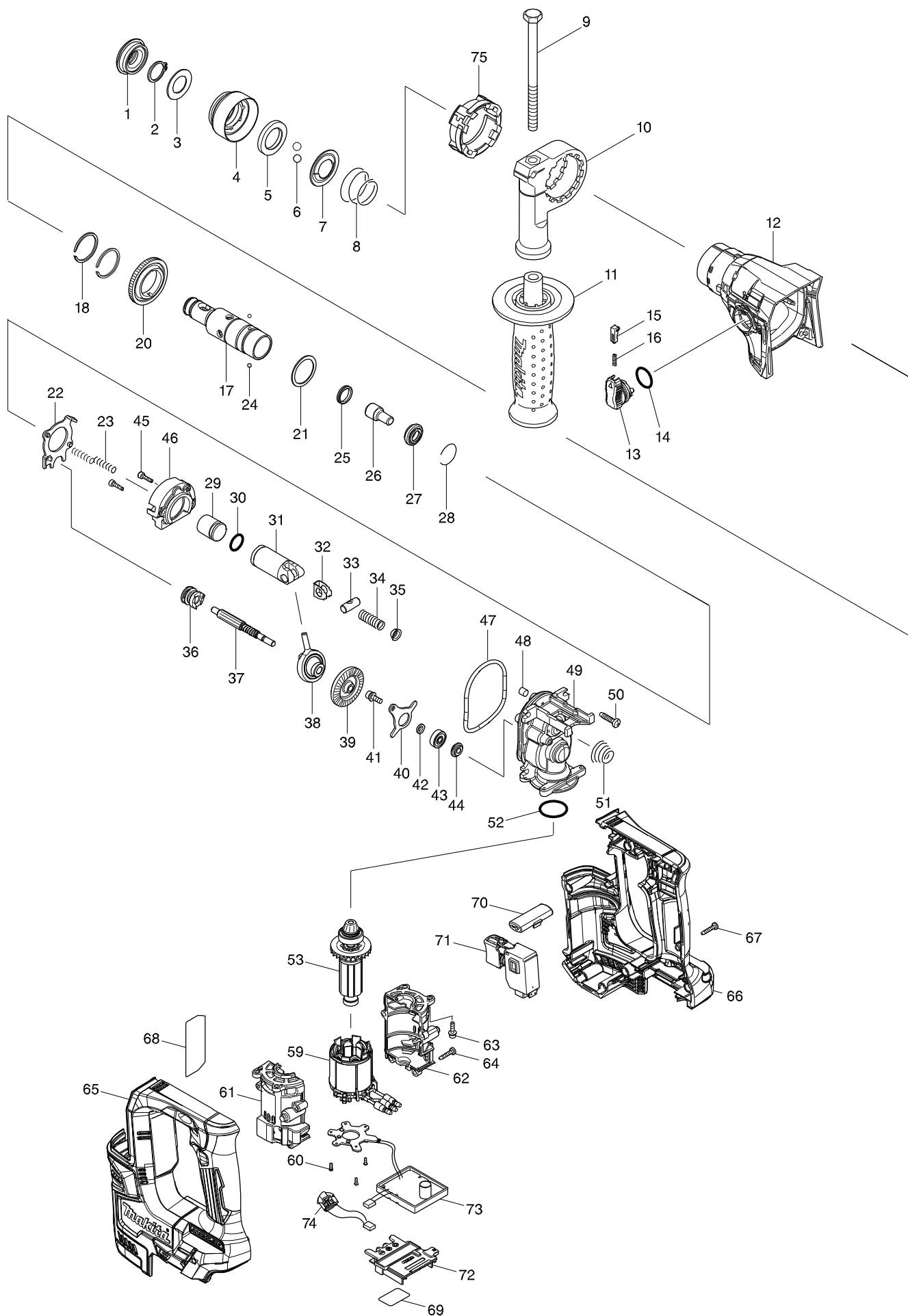


# Číslo typu DHR171 17MM CORDLESS ROTARY HAMMER



Položka	Číslo dílu	Popis	Změn	Množstv	N/O	Možnost 1	Možnost 2	Poznámka
001	286037-3	CAP 34		1				
002	961057-5	RETAINING RING S-17		1				
003	253377-4	FLAT WASHER 17		1				
004	457214-6	CHUCK COVER		1				
005	257416-2	RING 21		1				
006	216022-2	STEEL BALL 7.0		2				
007	346177-0	GUIDE WASHER		1				
008	232347-6	CONICAL COMP. SPRING 21-29		1				
009	921923-8	HEX. BOLT M8X120		1				
010	417911-6	GRIP BASE		1				
011	158057-6	GRIP 36 COMPLETE		1				
C10	931402-8	HEX. NUT M8		1				
012	144218-4	GEAR HOUSING COMPLETE		1				
C10	211375-4	BALL BEARING 6805LLB		1				
C20	213788-5	OIL SEAL 25		1				
013	161569-0	CHANGE LEVER COMPLETE		1				
014	213278-8	O RING 17		1				
015	161568-2	LOCK BUTTON COMPLETE		1				
016	232344-2	COMPRESSION SPRING 3		1				
017	326841-9	TOOL HOLDER		1				
018	961135-1	RETAINING(EXT) WR-25		2				
020	221483-3	SPUR GEAR 57		1				
021	267175-0	FLAT WASHER 24		1				
022	161570-5	CHANGE PLATE COMPLITE		1				
023	233194-8	COMPRESSION SPRING 4		2				
024	216019-1	STEEL BALL 3		2				
025	213183-9	X RING 13		1				
026	326843-5	IMPACT BOLT		1				
027	326842-7	RING 10		1				
028	232343-4	RING SPRING 23		1				
029	327007-4	STRIKER		1				
030	213128-7	O RING 12		1				
031	319510-9	PISTON CYLINDER		1				
032	347101-6	GUIDE PLATE		1				
033	326846-9	PISTON JOINT		1				
034	232346-8	COMPRESSION SPRING 8		1				
035	347102-4	SPRING GUIDE		1				
036	326845-1	CLUTCH CAM		1				
037	221482-5	SPUR GEAR 8		1				
038	219026-3	SWASH BEARING 6		1				
039	221481-7	SPIRAL BEVEL GEAR 37		1				
040	347100-8	BEARING RETAINER		1				
041	266273-7	HEX. SOCKET HEAD BOLT M4X12		1				
042	257415-4	RING 5		1				
043	210065-6	BALL BEARING 625ZZ		1				
044	326847-7	RING 5		1				
045	265910-0	HEX. SOCKET HEAD BOLT M3X12		2				
046	144219-2	INNER SUPPORT COMPLETE		1				

