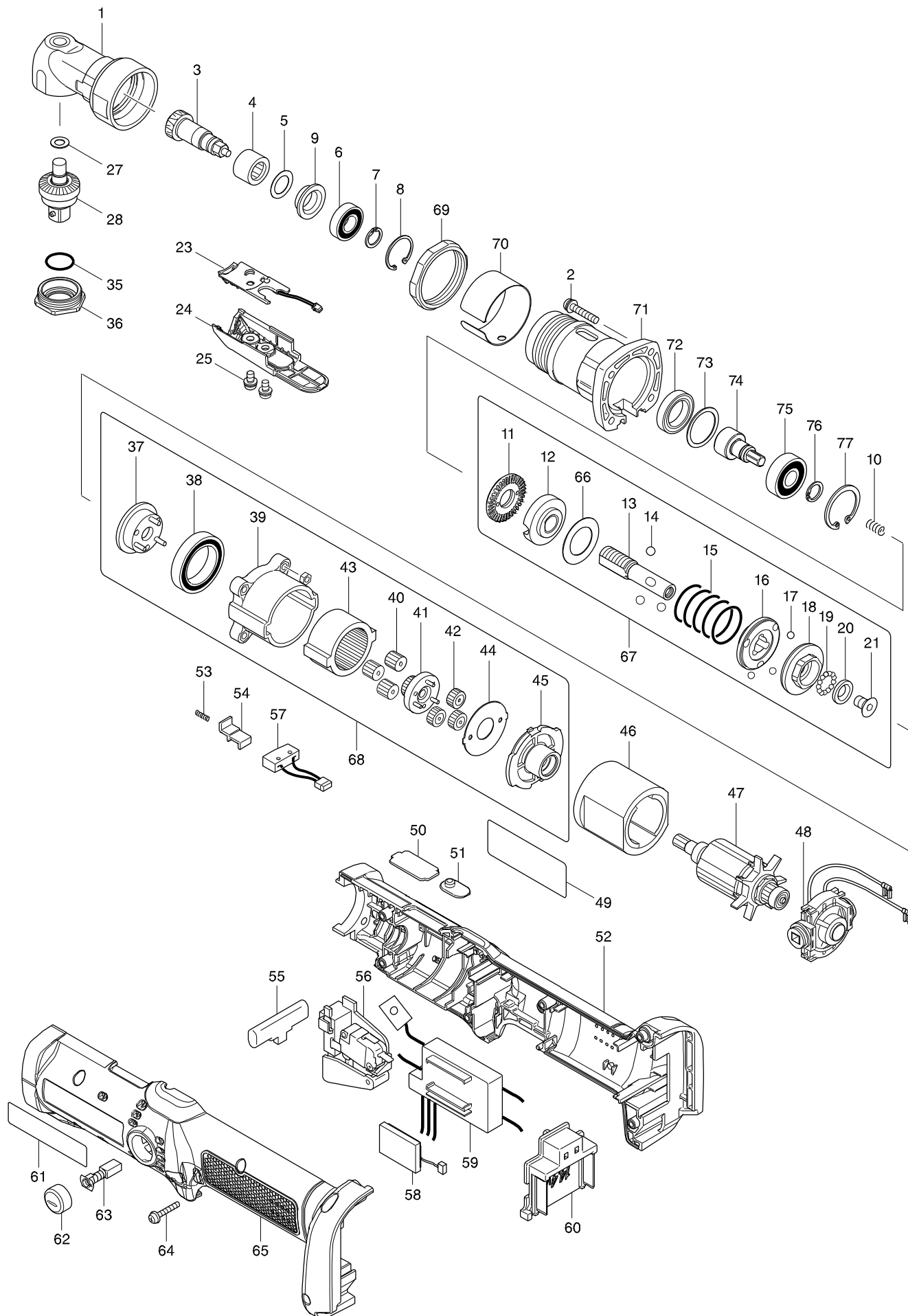


Číslo typu DFL062F CORDLESS ANGLE SCREWDRIVER



Položka	Číslo dílu	Popis	Změn	Množstv	N/O	Možnost 1	Možnost 2	Poznámka
001	144572-6	ANGLE HEAD COMPLETE		1	*			
001-1	126725-9	ANGLE HEAD ASSEMBLY	X	1				
C10	144572-6	ANGLE HEAD COMPLETE		1				
D10		INC. 3-9,27,28,35,36,69,71-77						
002	265145-3	+ PAN HEAD SCREW M4X22		4				
003	227478-4	SPIRAL BEVEL GEAR 9		1				
004	212122-6	NEEDLE BEARING 1212		1				
005	253312-2	THIN WASHER 12		1				
006	210057-5	BALL BEARING 6900LLB		1				
007	961026-6	RETAINING RING S-10		1				
008	962102-9	RETAINING RING R-22		1				
009	345281-2	SPACER		1				
010	233019-6	COMPRESSION SPRING 5		1				
011	324834-0	LOCK NUT M12		1				
012	158408-3	ADJUST RING COMPLETE		1				
013	324296-2	SPINDLE		1				
014	216018-3	STEEL BALL 5.0		3				
015	233385-1	COMPRESSION SPRING 19D		1				
016	223146-7	CAM D		1				
017	216024-8	STEEL BALL 4		3				
018	223143-3	CAM C		1				
019	216019-1	STEEL BALL 3		13				
020	267247-1	FLAT WASHER 7		1				
021	266305-0	TORX C,S HEAD SCREW M5X10		1				
023	620396-9	LED CIRCUIT		1				
024	457976-6	SWITCH COVER		1				
025	265171-2	PAN HEAD SCREW M4X8		2				
027	253777-8	FLAT WASHER 8		1				
028	154447-1	SPINDLE A COMPLETE		1				
035	213222-5	O RING 15		1				
036	285722-5	BEARING RETAINER 15-26		1				
037	153443-6	CARRIER COMPLETE A		1				
038	211375-4	BALL BEARING 6805LLB		1				
039	418004-2	GEAR CASE		1				
C10	931102-0	HEX. NUT M4		4				
040	227050-2	SPUR GEAR 13		3				
041	153445-2	SPUR GEAR 20 COMPLETE A		1				
042	227049-7	SPUR GEAR 18		3				
043	227048-9	INTERNAL GEAR 47		1				
044	267774-8	LOCK WASHER		1				
045	418003-4	MOTOR BRACKET		1				
046	638183-2	YOKE UNIT		1				
047	619314-2	ARMATURE		1				
048	638928-8	ENDBELL COMPLETE		1				
C10	688172-7	LINE FILTER		1				
049	853G34-2	DFL062F NAME PLATE		1				
050	345866-4	PLATE Q		1				
051	457975-8	LENS		1				

