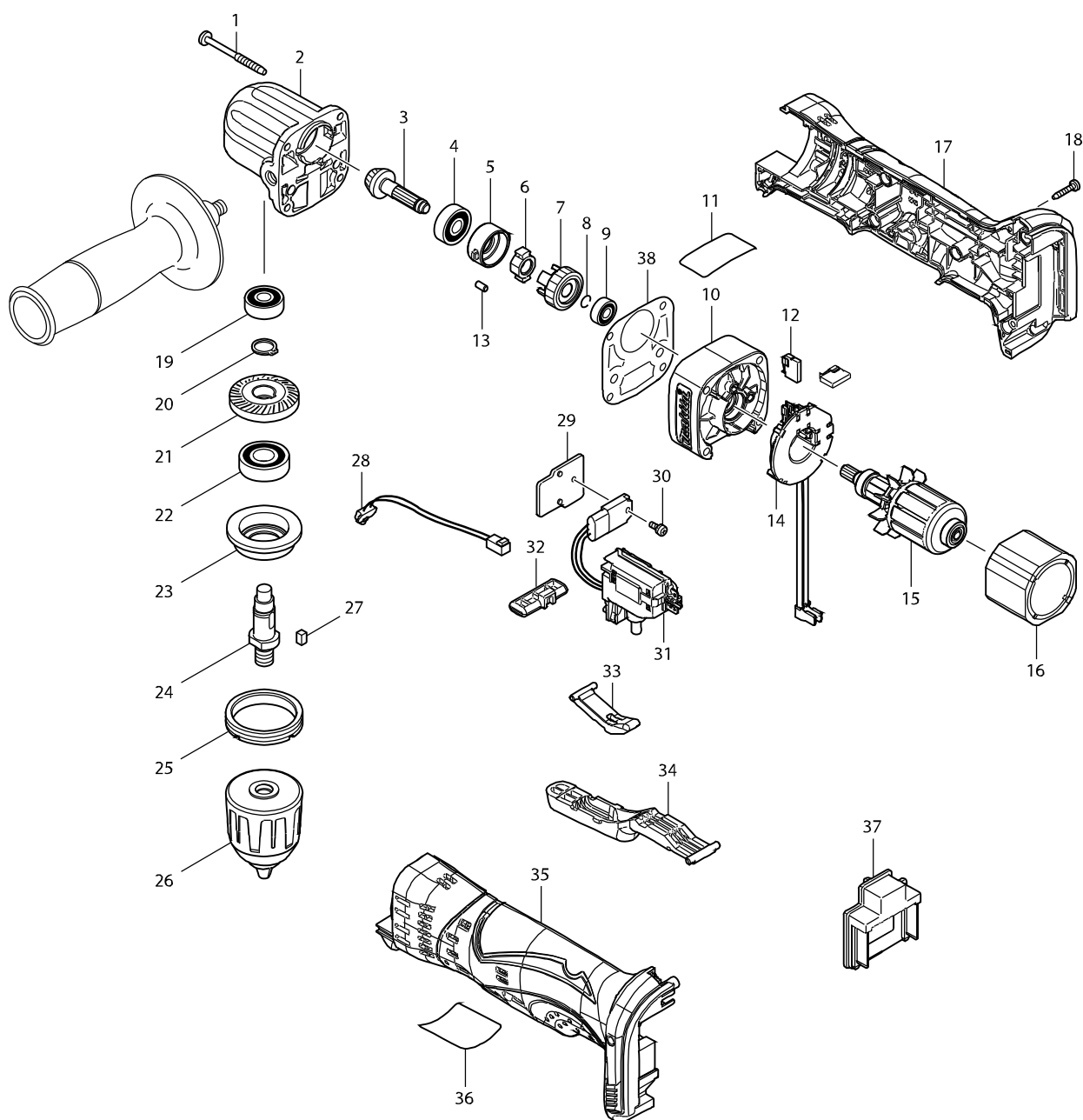


Číslo typu DDA351 CORDLESS ANGLE DRILL 10MM



| Položka | Číslo dílu | Popis | Změn | Množstv | N/O | Možnost 1 | Možnost 2 | Poznámka |
|---------|------------|---------------------------------------|------|---------|-----|-----------|-----------|----------|
| 001 | 266069-6 | šroub křížový 9403 | | 4 | | | | |
| 002 | 317634-5 | převodová skříň DA3011F | | 1 | | | | |
| 003 | 227538-2 | SPIRAL BEVEL GEAR 9 | | 1 | | | | |
| 004 | 210029-0 | BALL BEARING 608ZZ | | 1 | | | | |
| 005 | 324930-4 | LOCK RING | | 1 | | | | |
| 006 | 331647-2 | LOCK CAM | | 1 | | | | |
| 007 | 227221-1 | SPUR GEAR 29 | | 1 | | | | |
| 008 | 231956-8 | kroužek | | 1 | | | | |
| 009 | 210033-9 | ložisko 696ZZ | | 1 | | | | |
| 010 | 450607-6 | GEAR HOUSING COVER | | 1 | | | | |
| 012 | 194427-5 | uhlíky CB-440 BTD/BDF/BHP=old19415 | | 1 | | | | |
| 013 | 268100-4 | PIN 3.5 | | 2 | | | | |
| 014 | 539202-6 | BRUSH HOLDER ASSY | | 1 | | | | |
| D10 | | INC. 12 | | | | | | |
| 015 | 619234-0 | ARMATURE | | 1 | | | | |
| 016 | 638613-3 | stator | | 1 | | | | |
| 017 | 187130-5 | HOUSING SET | | 1 | | | | |
| D10 | | INC. 35 | | | | | | |
| 018 | 266130-9 | šroub PT 3X | | 5 | | | | |
| 019 | 210029-0 | BALL BEARING 608ZZ | | 1 | | | | |
| 020 | 961052-5 | segrovka vnější S-12 | | 1 | | | | |
| 021 | 227537-4 | SPIRAL BEVEL GEAR 26 | | 1 | | | | |
| 022 | 211131-2 | kuličkové ložisko 6001DDW =old 922041 | | 1 | | | | |
| 023 | 317633-7 | BEARING BOX | | 1 | | | | |
| 024 | 324329-3 | SPINDLE | | 1 | | | | |
| 025 | 285842-5 | aret, matice sklíčidla DA3010F | | 1 | | | | |
| 026 | 766005-7 | rychlosklíčidlo | | 1 | | | | |
| 027 | 254201-4 | klín 4 8419B/DA3010F/11F/BDA | | 1 | | | | |
| 028 | 631814-2 | LED CIRCUIT | | 1 | | | | |
| 029 | 689098-6 | chladicí deska 6503D | | 1 | | | | |
| 030 | 911006-2 | šroub M3x8 | | 1 | | | | |
| 031 | 632B90-3 | SWITCH UNIT | | 1 | | | | |
| 032 | 450610-7 | F/R CHANGE LEVER | | 1 | | | | |
| 033 | 450609-2 | LINK | | 1 | | | | |
| 034 | 450608-4 | SWITCH LAVER | | 1 | | | | |
| 035 | 187130-5 | HOUSING SET | | 1 | | | | |
| D10 | | INC. 17 | | | | | | |
| 036 | 815P82-3 | DDA351 NAME PLATE | | 1 | | | | |
| 037 | 644808-8 | TERMINAL | | 1 | | | | |
| 038 | 418036-9 | těsnění | | 1 | | | | |
| A01 | 153489-2 | boční rukojeť=old152490-4=old153504-2 | | 1 | | | | |
| A02E | ***DC18RC | DC18RC FAST CHARGER | | 1 | | | | |
| A03E | 194204-5 | baterie BL1830 18V/3,0Ah Li-ion | | 2 | * | | | |
| A03-1E | 194204-5 | baterie BL1830 18V/3,0Ah Li-ion | O | 2 | * | | | |
| A03-2E | 197600-6 | BATTERY BL1830B SET | < | 2 | | | | |
| A04E | 450128-8 | kryt baterie | | 1 | | | | |
| A05E | 821550-0 | systainer Makpac 395x295x157mm | | 1 | | | | |
| C10 | 453974-8 | LATCH | | 4 | | | | |

