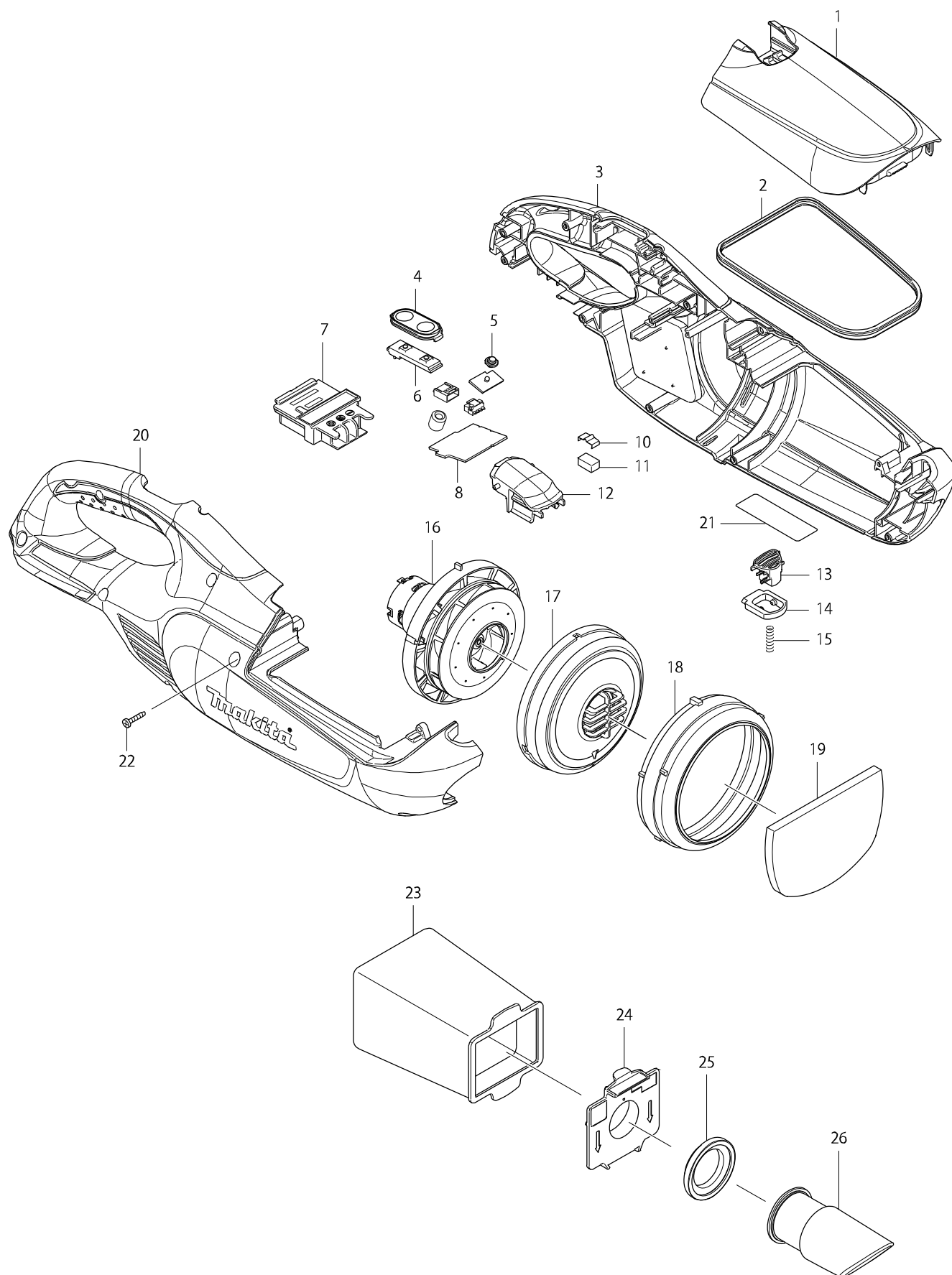


Číslo typu DCL182 CORDLESS CLEANER



Položka	Číslo dílu	Popis	Změn	Množstv	N/O	Možnost 1	Možnost 2	Poznámka
001	456202-0	FRONT COVER		1				
002	424093-7	SEAL		1				
003	183E55-1	HOUSING SET		1				
C10	424209-4	SPONGE SHEET 50-50		2				
D10		INC. 20						
004	140463-9	SWITCH PLATE COMPLETE		1				
C10	816528-6	SWITCH LABEL		1				
005	450522-4	LENS		1				
006	631973-2	SWITCH UNIT		1				
007	643860-3	TERMINAL		1				
008	638866-4	CONTROLLER UNIT		1	*			
C11	688161-2	LINE FILTER		1	*			
C20	654069-2	Receptacle		2	*			
008-1	632H41-2	CONTROLLER UNIT	<	1				
C11	688161-2	LINE FILTER		1				
C20	654069-2	Receptacle		2				
010	232264-0	LEAF SPRING		1				
011	424367-6	RUBBER		1				
012	456200-4	FRONT COVER JOINT		1				
013	456201-2	BUTTON		1				
014	452352-9	STOPPER		1				
015-1	233344-5	pružina		1				
016	125932-1	MOTOR ASSEMBLY		1				
C10	240102-2	ventilátor 4093D		1				
C20	265199-0	+ PAN HEAD SCREW M3X8		2				
C30	452455-9	BASE		1				
017	416030-5	419020		1				
018	424320-2	RUBBER RING		1				
019-1	424804-0	SUPONGE SHEET 76-110		1				
020	183E55-1	HOUSING SET		1				
C10	424209-4	SPONGE SHEET 50-50		2				
D10		INC. 3						
021	815G97-6	DCL182 NAME PLATE		1				
022	266429-2	TAPPING SCREW 3X16		9				
023	166084-9	prachový sáček 4073D/4093D/4013D		1				
024	141088-2	VALVE STAY COMPLETE		1				
025	424094-5	PACKING		1				
026	456199-3	INLET		1				
027	268271-7	PIN 3		1				
028	233580-3	TORSION SPRING 4		1				
A01-1	123539-7	NOZZLE ASSEMBLY		1				
C10	451410-8	ROLLER		4				
C20	268208-4	PIN 3		4				
C30	424096-1	WIPER		1				
A02	456586-6	SASH NOZZLE		1				
A03	456587-4	PIPE		1				
A04	456585-8	SASH NOZZLE HOLDER		1				
A05	194566-1	papírový filtr 5 ks		1				