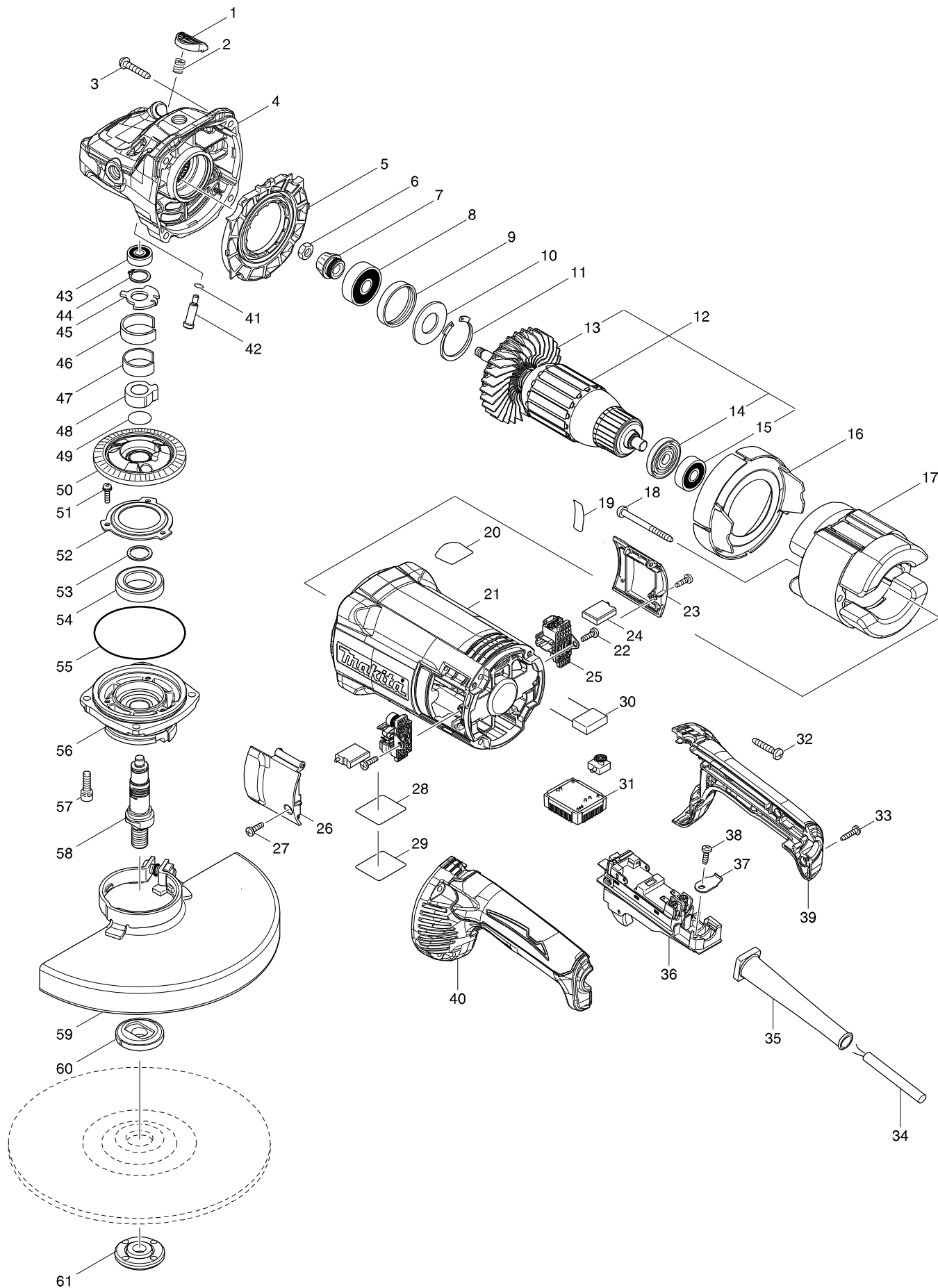


Číslo typu GA9061R 230MM ANGLE GRINDER



Položka	Číslo dílu	Popis	Změn	Množstv	N/O	Prodej	Nákup	Poznámka
001	456247-8	PIN CAP		1		0,00		
002	234391-9	COMPRESSION SPRING 8		1		0,00		
003	251489-7	TAPPING SCREW 5X30		4		5,00		
004	143485-8	GEAR HOUSING COMPLETE		1		0,00		
C10	263002-9	RUBBER PIN 4		1		8,00		
005	456238-9	DIFFUSER		1		0,00		
006	252194-9	HEX. NUT M8		1		8,00		
007	227652-4	SPIRAL BEVEL GEAR 13		1				
008	211132-0	BALL BEARING 6301DDW		1		327,00		
009	262085-6	RUBBER RING 38		1		21,00		
010	267299-2	FLAT WASHER 20		1		12,00		
011	962211-4	RETAINING RING R-42		1		51,00		
012	513448-2	ARMATURE ASS'Y 220V		1		0,00		
D10		INC. 13-15						
013	240161-6	FAN 86		1				
014	681630-2	INSULATION WASHER		1		68,00		
015	211087-9	BALL BEARING 6200DDW		1		251,00		
016	456239-7	BAFFLE PLATE		1		0,00		
017	621779-6	FIELD 240V		1		0,00		
018	266044-2	TAPPING SCREW 5X60		2		68,00		
019	851W13-0	GA9061R SERIAL NO. LABEL		1				
020	898443-6	SJS2 MARK LABEL		1				
021	456240-2	MOTOR HOUSING		1		0,00		
022	266192-7	TAPPING SCREW 4X14		2				
023	143950-7	BRUSH HOLDER COVER R COMPLETE		1				
024	197129-2	CARBON BRUSH CB-218		1				
025	643714-4	BRUSH HOLDER		2		0,00		
026	143949-2	BRUSH HOLDER COVER L COMPLETE		1				
027	266192-7	TAPPING SCREW 4X14		2				
028	851W10-6	GA9061R NAME PLATE		1				
029	809R72-8	CLEAR LABEL		1				
030	645088-9	NOISE SUPPRESSOR		1	*	15,00		
031	620470-3	CONTROLLER		1	*	0,00		
031-1	620588-0	CONTROLLER	S	1				
032	251489-7	TAPPING SCREW 5X30		4		5,00		
033	265995-6	TAPPING SCREW 4X18		2		15,00		
034	695107-1	POWER SUPPLY CORD 1.5-2-2.5		1				
035	682573-1	CORD GUARD 10		1		30,00		
036	632F79-5	SWITCH UNIT		1		0,00		
037	687169-3	STRAIN RELIEF		1		8,00		
038	266192-7	TAPPING SCREW 4X14		1				
039	183C62-2	HANDLE SET		1				
D10		INC. 40						
040	183C62-2	HANDLE SET		1				
D10		INC. 39						
041	213026-5	O RING 7		1		8,00		
042	256571-7	SHOULDER PIN 7		1		0,00		
043	211032-4	BALL BEARING 608ZZ		1		236,00		

