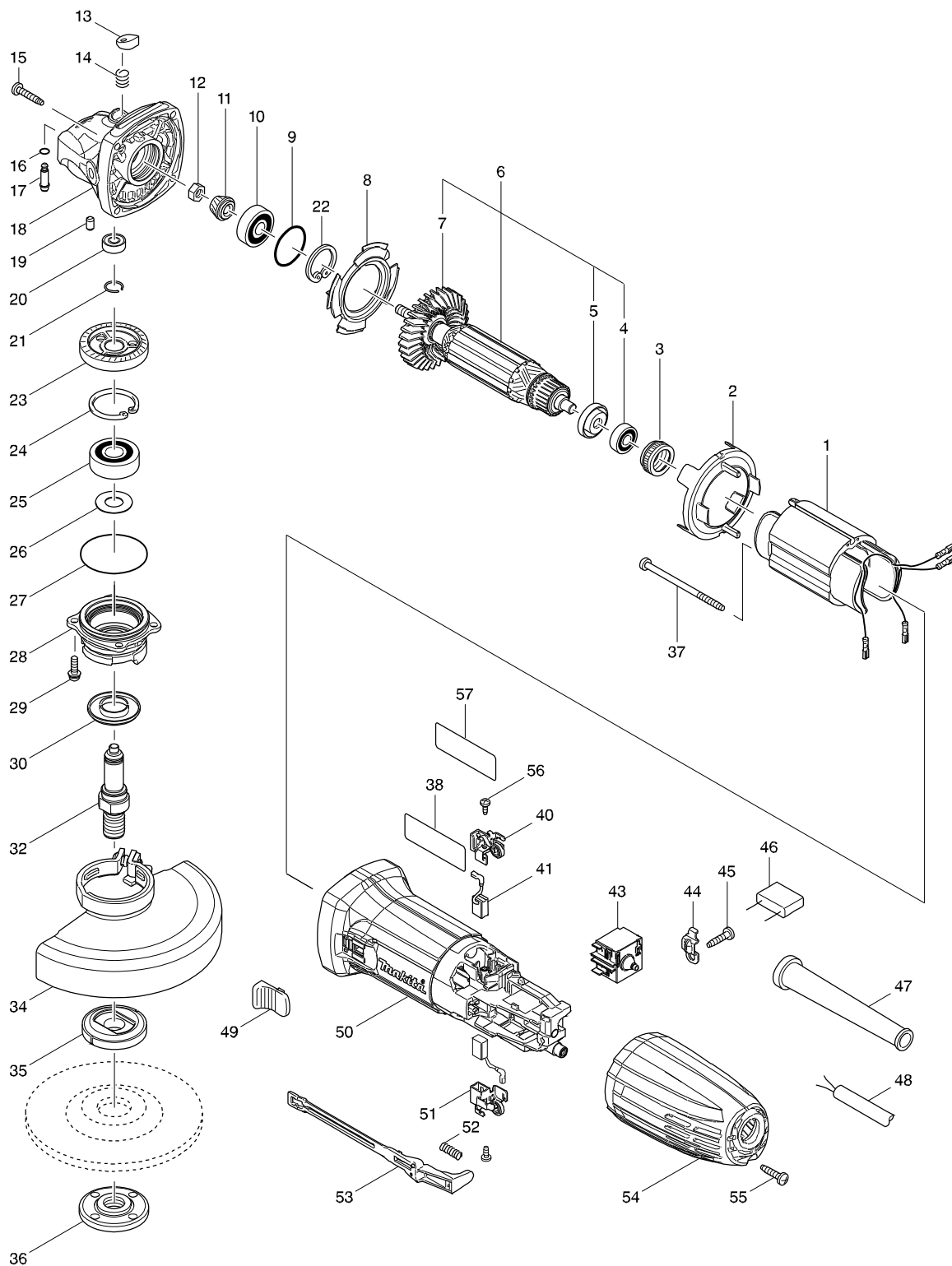


Cislo typu GA5030R 125MM ANGLE GRINDER



Cislo typu GA5030R 125MM ANGLE GRINDE

Stran 1 / 2

Položi	Cislo d	Popi	Změ	Množ	N/C	Prodi	Nákl	Poznár
001	633903-9	FIELD 220-240V		1				
002	450796-7	BAFFLE PLATE		1				
003	421868-5	LABYRINTH RUBBER RING		1				
004	210034-7	BALL BEARING 607LLB		1				
005	681636-0	INSULATION WASHER		1				
006	517649-4	ARMATURE ASS'Y 240V		1				
D10		INC. 4,5,7						
007	240139-9	FAN 56		1				
008	413126-3	GUIDE PLATE		1				
009	213445-5	O-RING 26		1				
010	211092-6	BALL BEARING 629DDW		1				
011	227545-5	SPIRAL BEVEL GEAR 10		1				
012	252186-8	HEX. NUT M6		1				
013	417771-6	PIN CAP		1				
014	234057-1	COMPRESSION SPRING 8		1				
015	266324-6	TAPPING SCREW 4X22		4				
016	213032-0	O RING 4		1				
017	256510-7	SHOULDER PIN 4		1				
018	318335-8	GEAR HOUSING		1				
019	263002-9	RUBBER PIN 4		1				
020	210033-9	BALL BEARING 696ZZ		1				
021	233950-6	RING SPRING 11		1				
022	962105-3	RETAINING RING R-26		1				
023	227546-3	SPIRAL BEVEL GEAR 37		1				
024	962151-6	RETAINING RING R-32		1				
025	211129-9	BALL BEARING 6201DDW		1				
026	267113-2	FLAT WASHER 12		1				
027	213561-3	O RING 42		1				
028	318336-6	BEARING BOX		1				
029	265099-4	PAN HEAD SCREW M4X14		4				
030	345464-4	LABYRINTH RING		1				
032	324954-0	SPINDLE		1				
C10	213009-5	O RING 4		1				
C20	265180-1	PAN HEAD SCREW M5X10		1				
034A	123099-9	WHEEL COVER 125AK AS		1				
034B	123099-9	WHEEL COVER 125AK AS		1				
034C	123145-8	TOOLLESS WHEELCOVER		1				
034D	123099-9	WHEEL COVER 125AK AS		1				
035	224415-9	INNER FLANGE 42		1				
036	224554-5	LOCK NUT 14-45		1				
037	266325-4	TAPPING SCREW 4X70		2				
038	851S94-0	GA5030R NAME PLATE		1				
040	643839-4	BRUSH HOLDER 6X9		1				
041	194722-3	CARBON BRUSH CB-459		1				
043	650769-2	SWITCH		1				
044	687681-3	STRAIN RELIEF		1				
045	266326-2	TAPPING SCREW 4X18		1				
046	638739-1	CAPACITOR UNIT		1				

Prosím objednávejte díly s jejich objednacími čísly.

vytisknout datum 07

