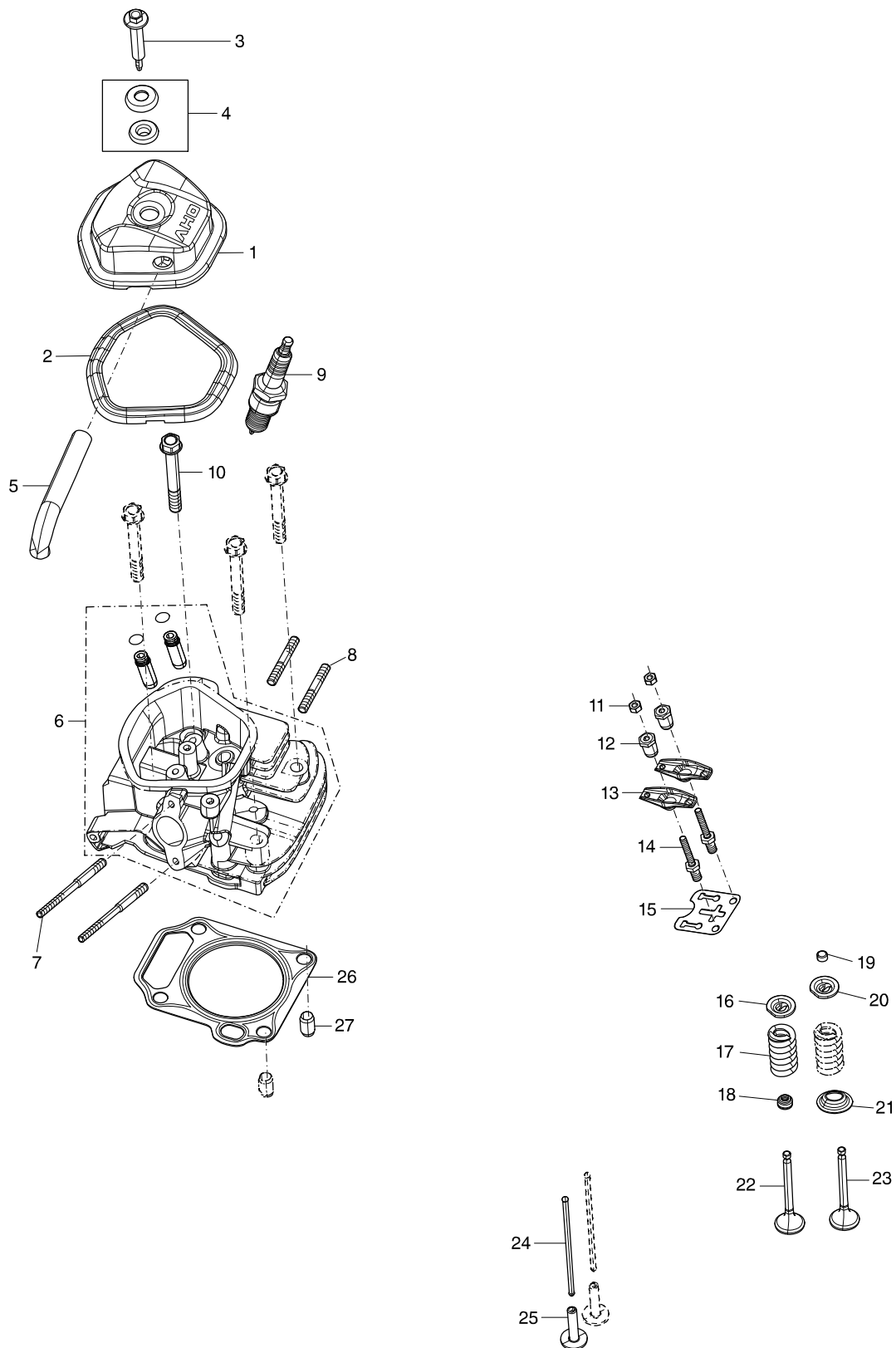
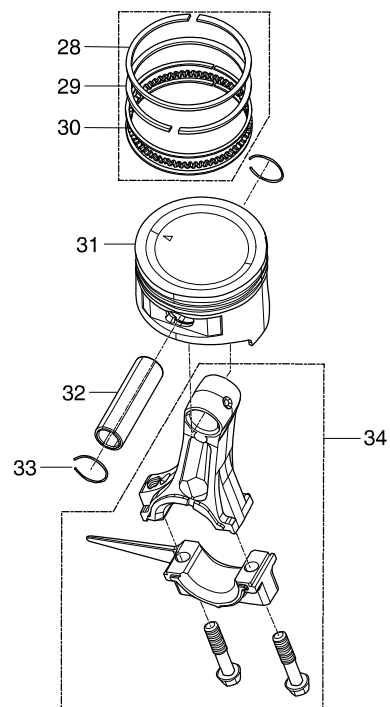


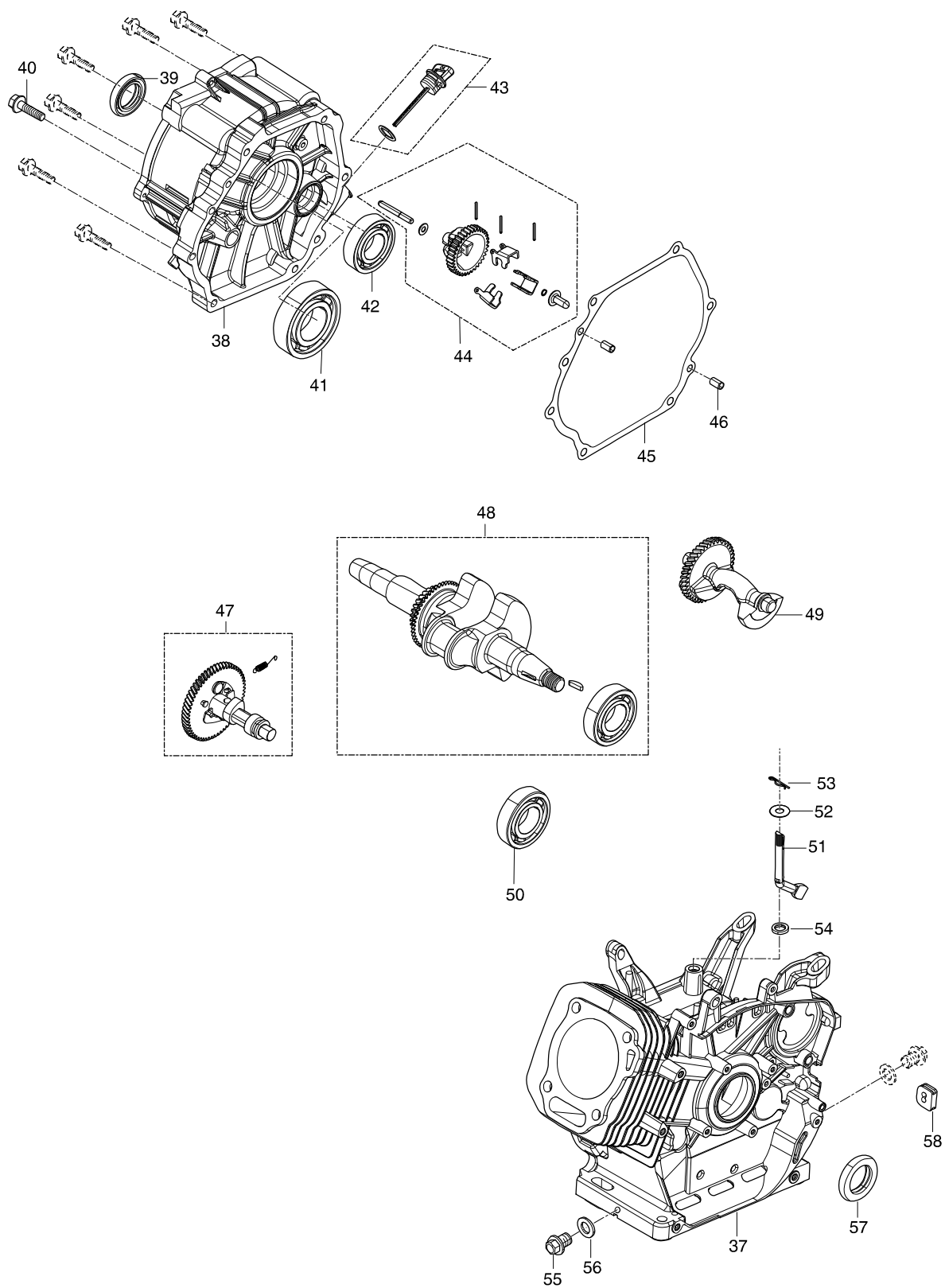
# Číslo typu EG5550A PETROL GENERATOR



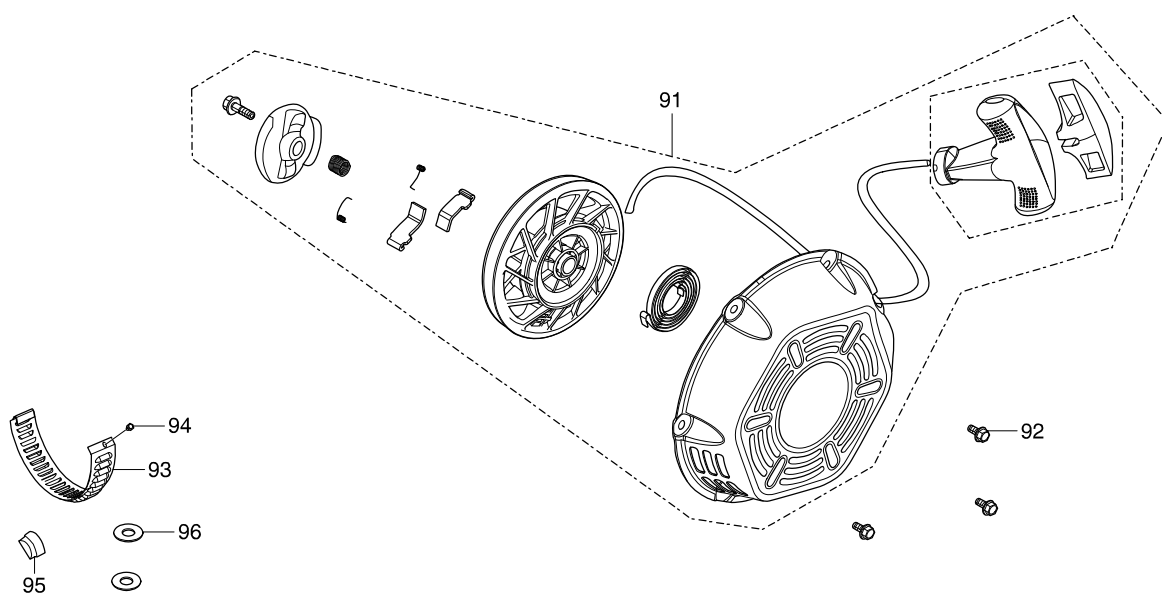
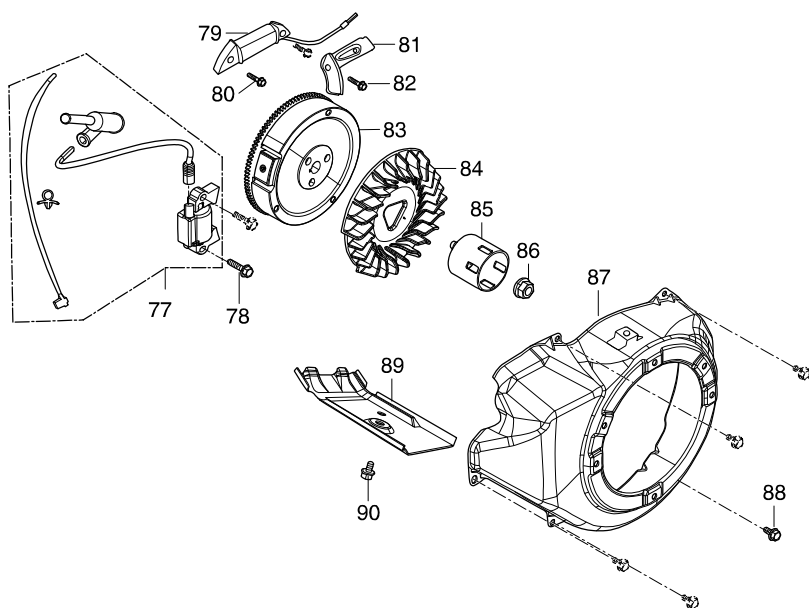
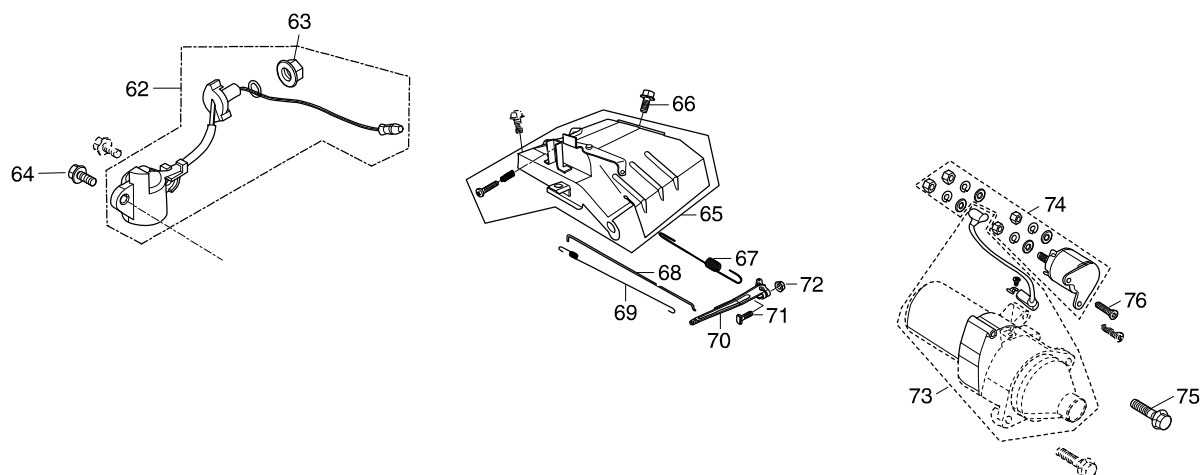
# Číslo typu EG5550A PETROL GENERATOR



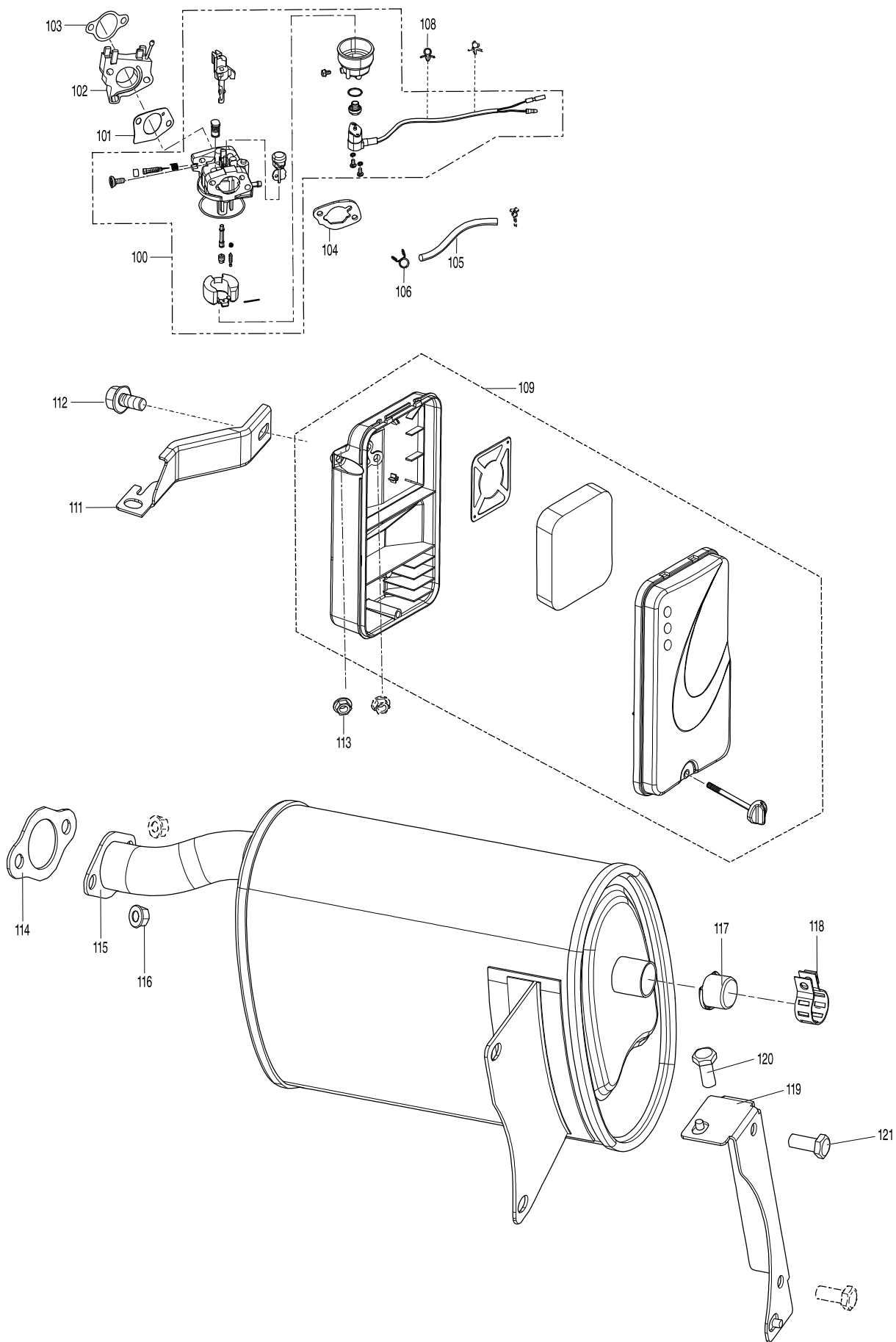
# Číslo typu EG5550A PETROL GENERATOR



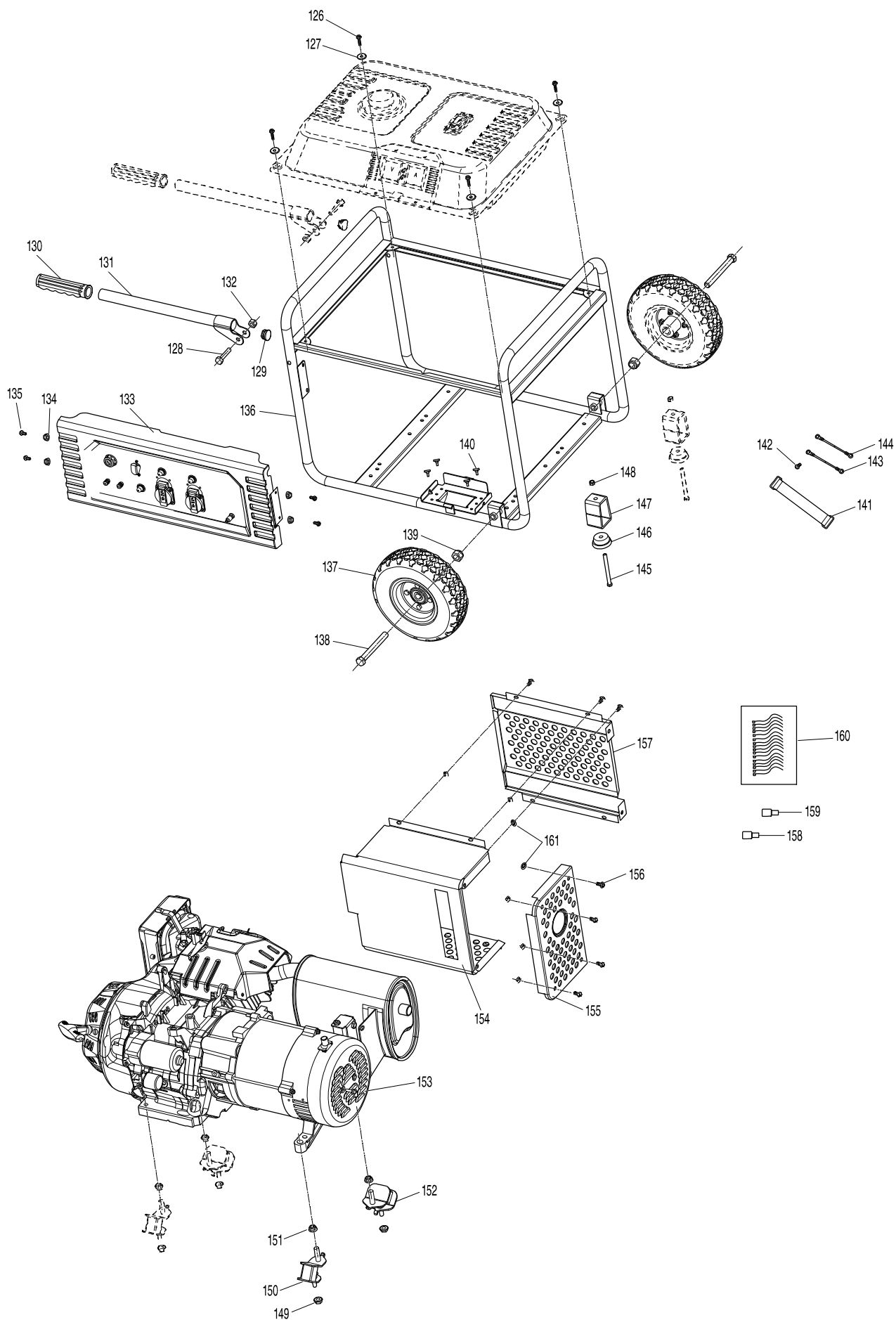
# Číslo typu EG5550A PETROL GENERATOR



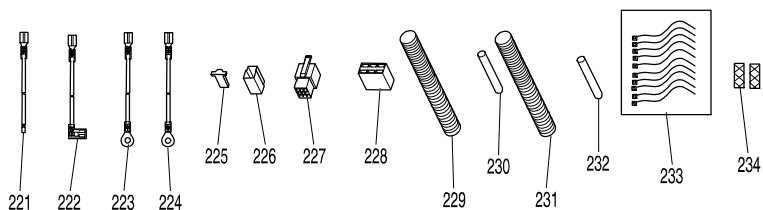
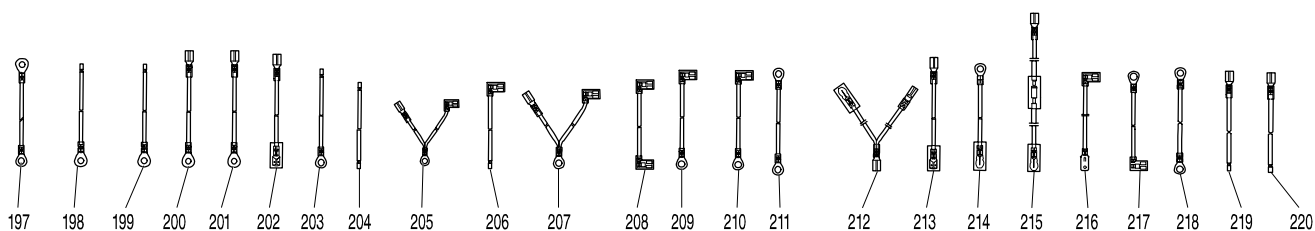
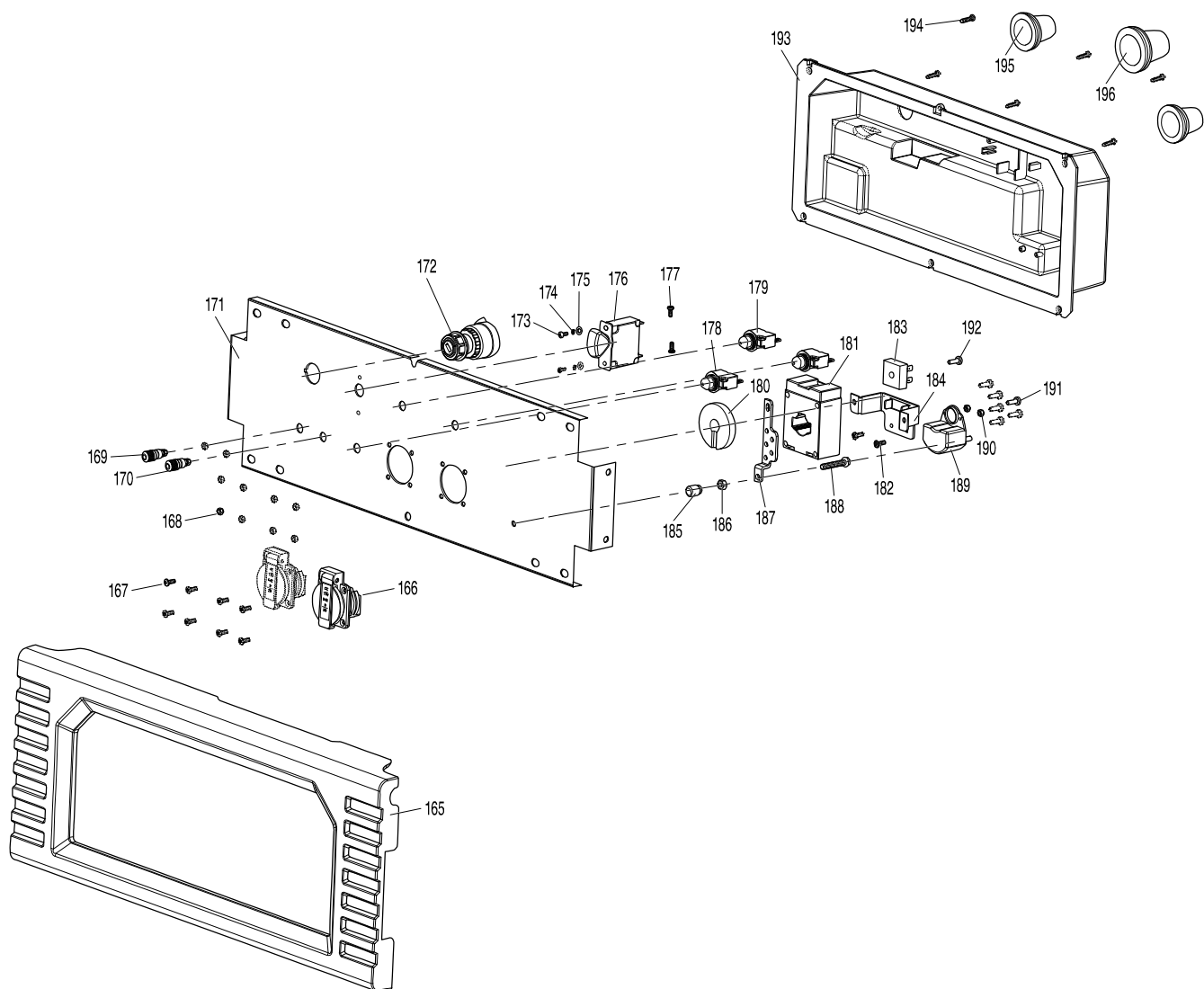
# Číslo typu EG5550A PETROL GENERATOR



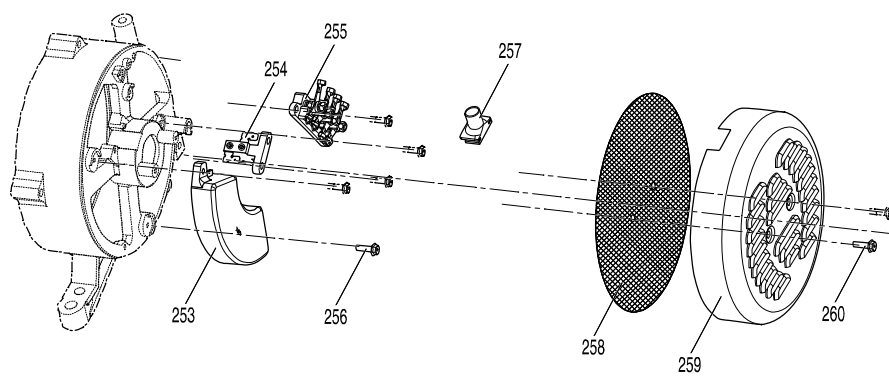
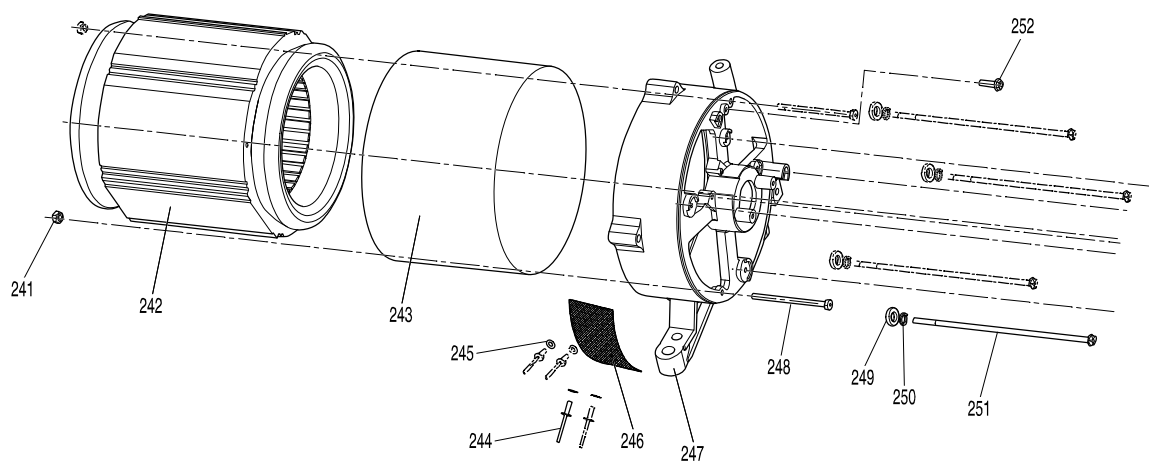
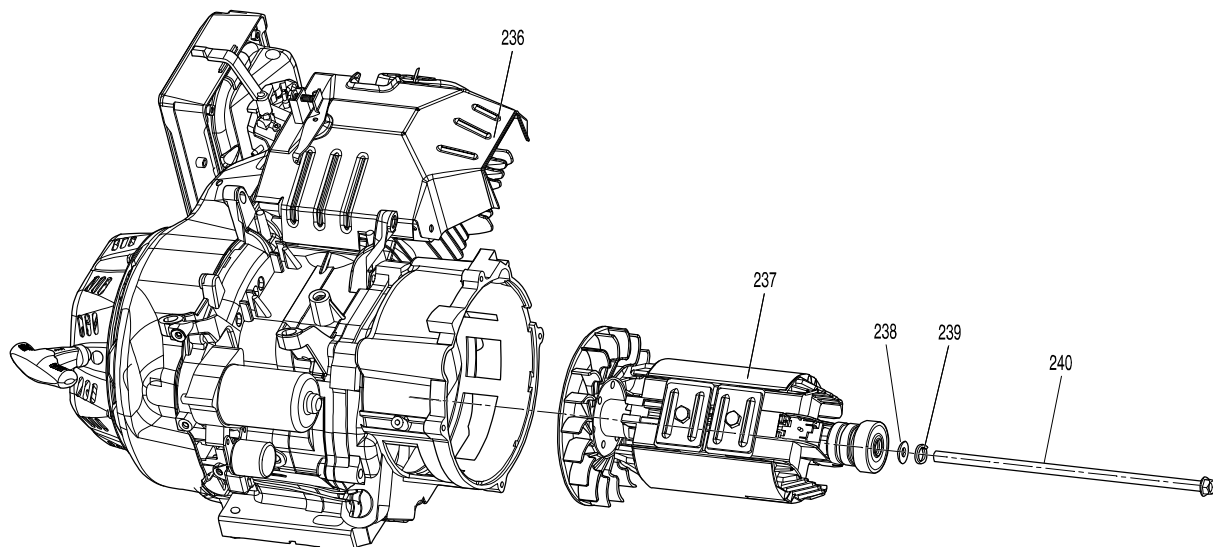
# Číslo typu EG5550A PETROL GENERATOR



# Číslo typu EG5550A PETROL GENERATOR

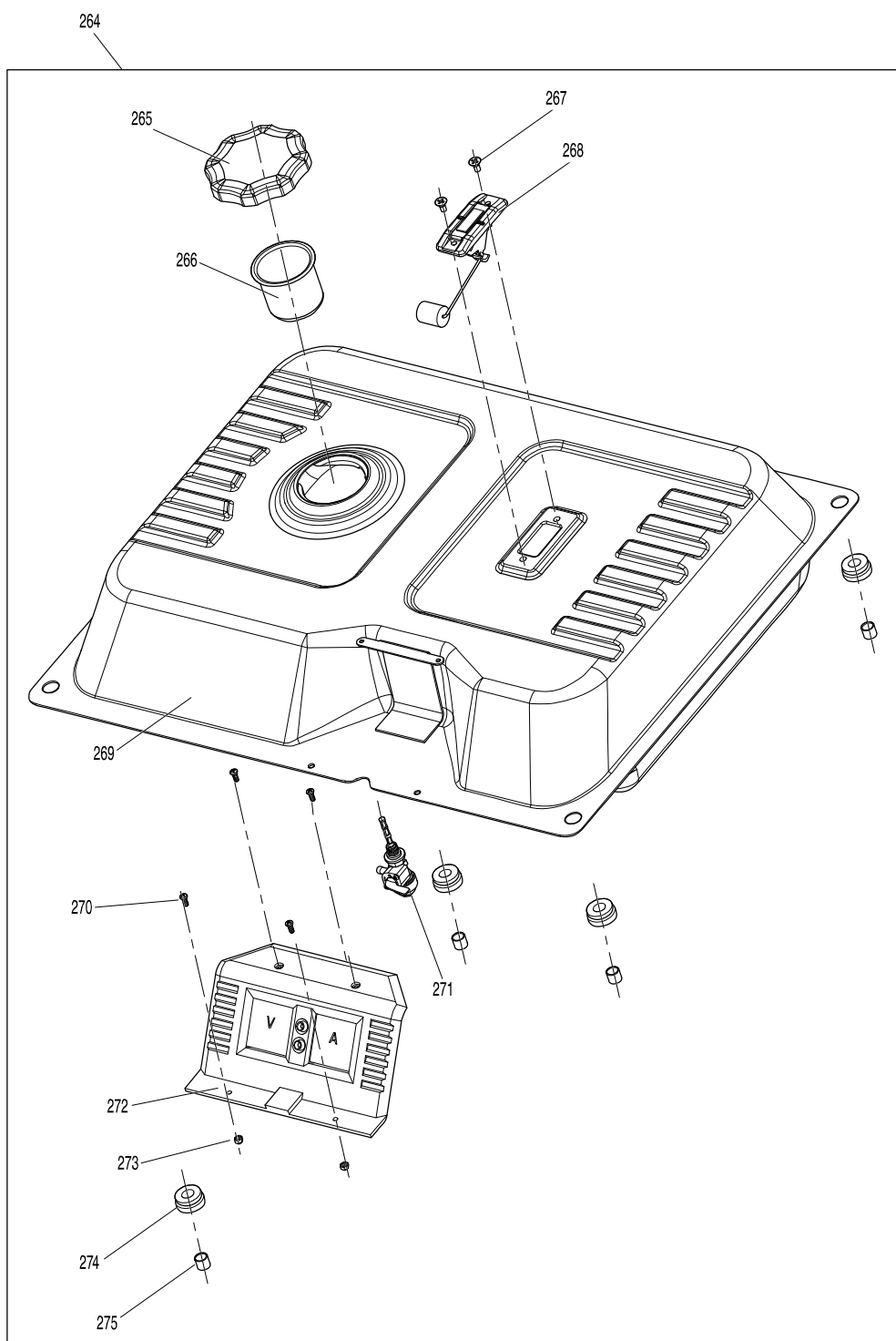


# Číslo typu EG5550A PETROL GENERATOR

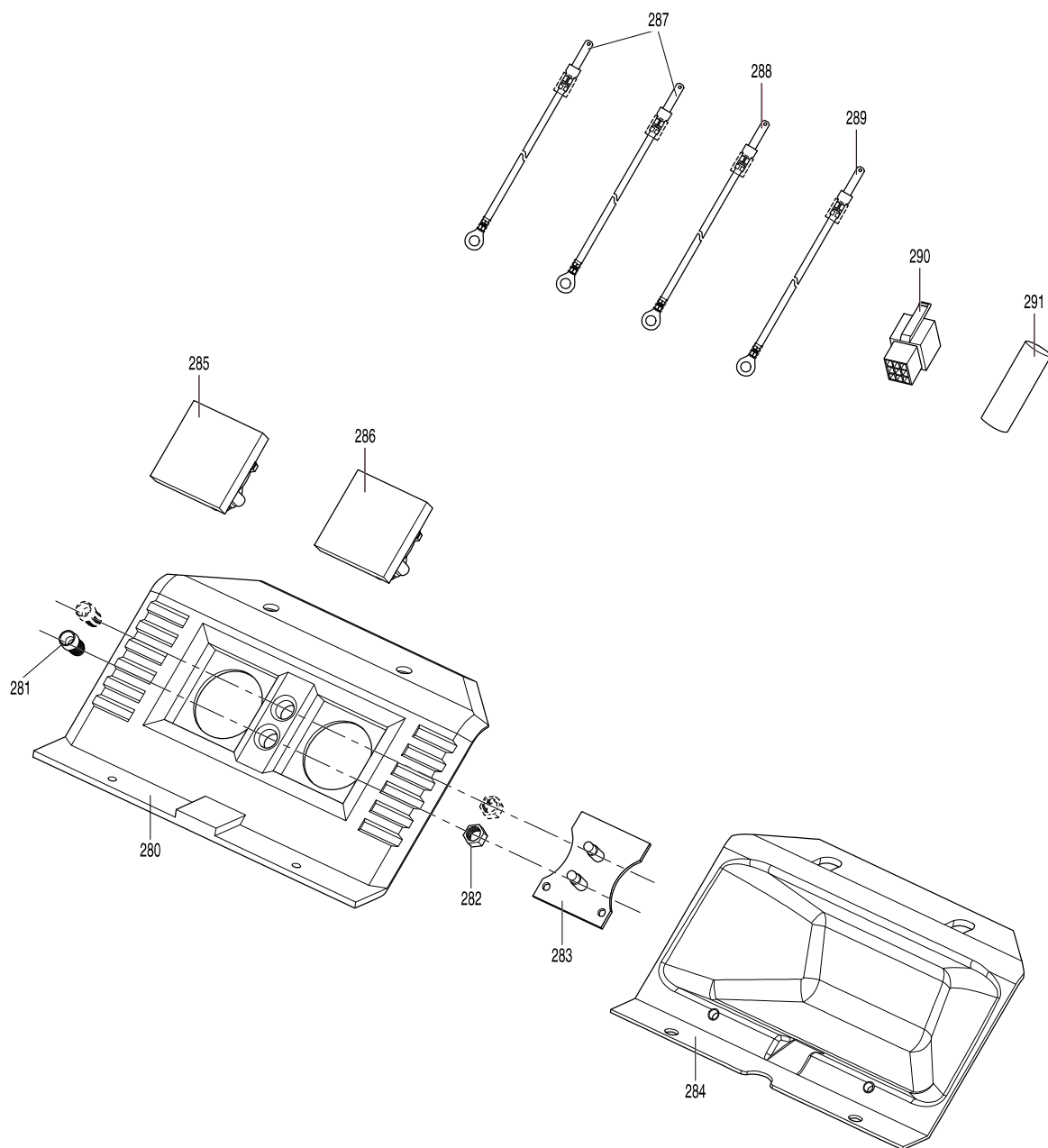




# Číslo typu EG5550A PETROL GENERATOR



# Číslo typu EG5550A PETROL GENERATOR



# Číslo typu EG550A PETROL GENERATOR

Strana 1 / 6

| Položka | Číslo dílu | Popis                       | Změn | Množst | N/O | Možnost 1 | Možnost 2 | Poznámka |
|---------|------------|-----------------------------|------|--------|-----|-----------|-----------|----------|
| 001     | YA00000066 | COVER SUBASSEMBLY, CYLINDER |      | 1      |     |           |           |          |
| 002     | YA00000043 | GASKET, CYLINDER HEAD COVER |      | 1      |     |           |           |          |
| 003     | YA00000044 | BOLT, CYLINDER HEAD         |      | 1      |     |           |           |          |
| 004     | YA00000045 | GASKET                      |      | 1      |     |           |           |          |
| 005     | YA00000129 | TUBE, BREATHER              |      | 1      |     |           |           |          |
| 006     | YA00000583 | HEAD SUBASSEMBLY, CYLINDER  |      | 1      |     |           |           |          |
| 007     | YA00000169 | STUD                        |      | 2      |     |           |           |          |
| 008     | YA00000167 | STUD                        |      | 2      |     |           |           |          |
| 009     | YA00000147 | PLUG, SPARK                 |      | 1      |     |           |           |          |
| 010     | YA00000041 | BOLT, CYLINDER HEAD         |      | 4      |     |           |           |          |
| 011     | YA00000098 | NUT, VALVE LOCK             |      | 2      |     |           |           |          |
| 012     | YA00000100 | NUT, VALVE ADJUSTING        |      | 2      |     |           |           |          |
| 013     | YA00000097 | ROCKER, VALVE               |      | 2      |     |           |           |          |
| 014     | YA00000099 | BOLT, ROCKER SHAFT          |      | 2      |     |           |           |          |
| 015     | YA00000093 | PLATE SUBASSEMBLY, LIFTER   |      | 1      |     |           |           |          |
| 016     | YA00000058 | SEAT, VALVE SPRING          |      | 1      |     |           |           |          |
| 017     | YA00000049 | SPRING, VALVE               |      | 2      |     |           |           |          |
| 018     | YA00000047 | GUIDE, SEAL                 |      | 1      |     |           |           |          |
| 019     | YA00000051 | ROTATOR, VALVE              |      | 1      |     |           |           |          |
| 020     | YA00000054 | RETAINER, EXHAUST VALVE     |      | 1      |     |           |           |          |
| 021     | YA00000052 | RETAINER, VALVE SPRING      |      | 1      |     |           |           |          |
| 022     | YA00000056 | VALVE, INTAKE               |      | 1      |     |           |           |          |
| 023     | YA00000060 | VALVE, EXHAUST              |      | 1      |     |           |           |          |
| 024     | YA00000088 | LIFTER SUBASSEMBLY, VALVE   |      | 2      |     |           |           |          |
| 025     | YA00000091 | TAPPET, VALVE               |      | 2      |     |           |           |          |
| 026     | YA00000061 | GASKET, CYLINDER HEAD       |      | 1      |     |           |           |          |
| 027     | YA00000181 | PIN                         |      | 2      |     |           |           |          |
| 028     | YA00000076 | RING, THE FIRST             |      | 1      |     |           |           |          |
| 029     | YA00000078 | RING, THE SECOND            |      | 1      |     |           |           |          |
| 030     | YA00000080 | RING SET, OIL               |      | 1      |     |           |           |          |
| 031     | YA00000070 | PISTON                      |      | 1      |     |           |           |          |
| 032     | YA00000072 | PIN, PISTON                 |      | 1      |     |           |           |          |
| 033     | YA00000074 | CLIP, PISTON PIN            |      | 2      |     |           |           |          |
| 034     | YA00000067 | ROD, CONNECTING             |      | 1      |     |           |           |          |
| 037     | YA00000036 | CRANKCASE SUBASSEMBLY.      |      | 1      |     |           |           |          |
| 038     | YA00000038 | COVER, CRANKCASE            |      | 1      |     |           |           |          |
| 039     | YA00000186 | SEAL, OIL                   |      | 1      |     |           |           |          |
| 040     | YA00000166 | BOLT                        |      | 7      |     |           |           |          |
| 041     | YA00000184 | BEARIN, DEEP GROOVE BALL    |      | 1      |     |           |           |          |
| 042     | YA00000182 | BEARIN, DEEP GROOVE BALL    |      | 1      |     |           |           |          |
| 043     | YA00000102 | DIPSTICK SUBASSEMBLY, OIL   |      | 1      |     |           |           |          |
| 044     | YA00000121 | GEAR ASSY, GOVERNOR         |      | 1      |     |           |           |          |
| 045     | YA00000032 | GASKET, CRANKCASE           |      | 1      |     |           |           |          |
| 046     | YA00000178 | PIN                         |      | 2      |     |           |           |          |
| 047     | YA00000094 | CAMSHAFT ASSY.              |      | 1      |     |           |           |          |
| 048     | YA00000081 | CRANKSHAFT ASSY.            |      | 1      |     |           |           |          |
| 049     | YA00000083 | BALANCING SHAFT             |      | 1      |     |           |           |          |
| 050     | YA00000182 | BEARIN, DEEP GROOVE BALL    |      | 1      |     |           |           |          |

| Položka | Číslo dílu | Popis                       | Změn | Množst | N/O | Možnost 1 | Možnost 2 | Poznámka |
|---------|------------|-----------------------------|------|--------|-----|-----------|-----------|----------|
| 051     | YA00000111 | ARM, GOVERNOR               |      | 1      |     |           |           |          |
| 052     | YA00000176 | WASHER, FLAT                |      | 1      |     |           |           |          |
| 053     | YA00000177 | PIN                         |      | 1      |     |           |           |          |
| 054     | YA00000185 | SEAL, OIL                   |      | 1      |     |           |           |          |
| 055     | YA00000035 | BOLT, DRAIN PLUG            |      | 2      |     |           |           |          |
| 056     | YA00000175 | WASHER, FLAT                |      | 2      |     |           |           |          |
| 057     | YA00000186 | SEAL, OIL                   |      | 1      |     |           |           |          |
| 058     | YA00000141 | PLUG, RUBBER                |      | 1      |     |           |           |          |
| 062     | YA00000154 | SENSOR, ENGINE OIL          |      | 1      |     |           |           |          |
| 063     | YA00000578 | NUT                         |      | 1      |     |           |           |          |
| 064     | YA00000160 | BOLT                        |      | 2      |     |           |           |          |
| 065     | YA00000123 | CONTROL ASSY, THROTTLE      |      | 1      |     |           |           |          |
| 066     | YA00000158 | BOLT                        |      | 2      |     |           |           |          |
| 067     | YA00000115 | SPRING, GOVERNOR            |      | 1      |     |           |           |          |
| 068     | YA00000113 | ROD, GOVERNEOR              |      | 1      |     |           |           |          |
| 069     | YA00000109 | SPRING, THROTTLE VALVE      |      | 1      |     |           |           |          |
| 070     | YA00000117 | BOLT, GOVERNOR SUPPORT      |      | 1      |     |           |           |          |
| 071     | YA00000117 | BOLT, GOVERNOR SUPPORT      |      | 1      |     |           |           |          |
| 072     | YA00000171 | NUT                         |      | 1      |     |           |           |          |
| 073     | YA00000140 | MOTOR, STARTING             |      | 1      |     |           |           |          |
| 074     | YA00000151 | RELAY, STARTING             |      | 1      |     |           |           |          |
| 075     | YA00000165 | BOLT                        |      | 2      |     |           |           |          |
| 076     | YA00000155 | BOLT                        |      | 2      |     |           |           |          |
| 077     | YA00000149 | COIL, IGNITION              |      | 1      |     |           |           |          |
| 078     | YA00000162 | BOLT                        |      | 2      |     |           |           |          |
| 079     | YA00000148 | COIL SUBASSEMBLY, CHARGE    |      | 1      |     |           |           |          |
| 080     | YA00000163 | BOLT                        |      | 2      |     |           |           |          |
| 081     | YA00000146 | CLAMP, CHARGE COIL          |      | 1      |     |           |           |          |
| 082     | YA00000158 | BOLT                        |      | 1      |     |           |           |          |
| 083     | YA00000086 | FLYWHEEL SUBASSEMBLY        |      | 1      |     |           |           |          |
| 084     | YA00000136 | IMPELLER                    |      | 1      |     |           |           |          |
| 085     | YA00000138 | PULLEY,STARTER              |      | 1      |     |           |           |          |
| 086     | YA00000085 | NUT, FLYWHEEL               |      | 1      |     |           |           |          |
| 087     | YA00000143 | SHROUD                      |      | 1      |     |           |           |          |
| 088     | YA00000158 | BOLT                        |      | 5      |     |           |           |          |
| 089     | YA00000134 | SHROUD, CYLINDER BODY       |      | 1      |     |           |           |          |
| 090     | YA00000157 | BOLT                        |      | 1      |     |           |           |          |
| 091     | YA00000145 | STARTER ASSY, RECOIL        |      | 1      |     |           |           |          |
| 092     | YA00000156 | BOLT                        |      | 3      |     |           |           |          |
| 093     | YA00000135 | SHIELD,LOWER                |      | 1      |     |           |           |          |
| 094     | YA00000575 | BOLT                        |      | 1      |     |           |           |          |
| 095     | YA00000580 | STOPPER, MOTOR RIGHT COVER  |      | 1      |     |           |           |          |
| 096     | YA00000573 | SPRING WASHERS              |      | 2      |     |           |           |          |
| 100     | YA00000118 | CARBURETOR ASSY.            |      | 1      |     |           |           |          |
| 101     | YA00000104 | GASKET, CARBURETOR          |      | 1      |     |           |           |          |
| 102     | YA00000107 | PLATE, CARBURETOR INSULATOR |      | 1      |     |           |           |          |
| 103     | YA00000126 | GASKET, INLET               |      | 1      |     |           |           |          |
| 104     | YA00000125 | GASKET, AIR CLEANER         |      | 1      |     |           |           |          |

| Položka | Číslo dílu | Popis                         | Změn | Množst | N/O | Možnost 1 | Možnost 2 | Poznámka |
|---------|------------|-------------------------------|------|--------|-----|-----------|-----------|----------|
| 105     | YA00000189 | TUBE, FUEL                    |      | 1      |     |           |           |          |
| 106     | YA00000191 | COLLAR                        |      | 2      |     |           |           |          |
| 108     | YA00000187 | CLIP                          |      | 2      |     |           |           |          |
| 109     | YA00000584 | CLEANER, AIR                  |      | 1      |     |           |           |          |
| 111     | YA00000579 | SUPPORT, AIR CLEANER          |      | 1      |     |           |           |          |
| 112     | YA00000158 | BOLT                          |      | 1      |     |           |           |          |
| 113     | YA00000171 | NUT                           |      | 2      |     |           |           |          |
| 114     | YA00000131 | GASKET, EXHAUST OUTLET        |      | 1      |     |           |           |          |
| 115     | YA00000373 | 5KW SILENCER                  |      | 1      |     |           |           |          |
| 116     | YA00000170 | NUT                           |      | 2      |     |           |           |          |
| 117     | YA00000274 | SCREEN                        |      | 1      |     |           |           |          |
| 118     | YA00000255 | PIPE CL                       |      | 1      |     |           |           |          |
| 119     | YA00000256 | MUFFLER BRACKET               |      | 1      |     |           |           |          |
| 120     | YA00000409 | BOLT 8 * 16                   |      | 1      |     |           |           |          |
| 121     | YA00000410 | BOLT 8*20                     |      | 2      |     |           |           |          |
| 126     | YA00000415 | HEX FLANG BOLT 6*25           |      | 4      |     |           |           |          |
| 127     | YA00000241 | BIG TANK GASKET               |      | 4      |     |           |           |          |
| 128     | YA00000215 | PUTTER SHAFT                  |      | 2      |     |           |           |          |
| 129     | YA00000204 | PUTTER COVER                  |      | 2      |     |           |           |          |
| 130     | YA00000262 | HANDLE SHEATH                 |      | 2      |     |           |           |          |
| 131     | YA00000213 | PUTTER                        |      | 2      |     |           |           |          |
| 132     | YA00000394 | SELF-LOCKING NUT M8           |      | 2      |     |           |           |          |
| 133     | YA00000595 | 5KW PANEL ASSEMBLY            |      | 1      |     |           |           |          |
| 134     | YA00000387 | FLANGE LOCK NUT M6            |      | 4      |     |           |           |          |
| 135     | YA00000414 | LOCKING SCREWS 6 * 16         |      | 4      |     |           |           |          |
| 136     | YA00000258 | 5KW UNIT BRACKET              |      | 1      |     |           |           |          |
| 137     | YA00000217 | RUBBER WHEEL                  |      | 2      |     |           |           |          |
| 138     | YA00000216 | AXLE                          |      | 2      |     |           |           |          |
| 139     | YA00000394 | SELF-LOCKING NUT M8           |      | 2      |     |           |           |          |
| 140     | YA00000581 | BATTERY DAMPING PAD           |      | 4      |     |           |           |          |
| 141     | YA00000360 | BATTERY FIXING STRAP ASSEMBLY |      | 1      |     |           |           |          |
| 142     | YA00000586 | LOCKING SCREWS 6 * 12         |      | 1      |     |           |           |          |
| 143     | YA00000340 | WIRE                          |      | 1      |     |           |           |          |
| 144     | YA00000339 | WIRE                          |      | 1      |     |           |           |          |
| 145     | YA00000413 | BOLT 8*100                    |      | 2      |     |           |           |          |
| 146     | YA00000220 | FOOT RUBBER MOUNTS            |      | 2      |     |           |           |          |
| 147     | YA00000257 | FRONT BRACKET                 |      | 2      |     |           |           |          |
| 148     | YA00000394 | SELF-LOCKING NUT M8           |      | 2      |     |           |           |          |
| 149     | YA00000390 | LOCKING NUT M8                |      | 4      |     |           |           |          |
| 150     | YA00000270 | CUSHION                       |      | 2      |     |           |           |          |
| 151     | YA00000391 | LOCKING NUT M8                |      | 4      |     |           |           |          |
| 152     | YA00000269 | CUSHION                       |      | 2      |     |           |           |          |
| 153     | YA00000365 | ENGINE MOTOR ASSEMBLY         |      | 1      |     |           |           |          |
| 154     | YA00000229 | LEFT INSULATING PLATE         |      | 1      |     |           |           |          |
| 155     | YA00000234 | REAR INSULATION BOARD         |      | 1      |     |           |           |          |
| 156     | YA00000414 | LOCKING SCREWS 6 * 16         |      | 7      |     |           |           |          |
| 157     | YA00000235 | RIGHT INSULATION BOARD        |      | 1      |     |           |           |          |
| 158     | YA00000572 | WIRE WATERPROOF HAT(REDF)     |      | 1      |     |           |           |          |

| Položka | Číslo dílu | Popis                         | Změn | Množst | N/O | Možnost 1 | Možnost 2 | Poznámka |
|---------|------------|-------------------------------|------|--------|-----|-----------|-----------|----------|
| 159     | YA00000571 | WIRE WATERPROOF HAT(BLACK)    |      | 1      |     |           |           |          |
| 160     | YA00000195 | A SMALL CABLE TIE             |      | 16     |     |           |           |          |
| 161     | YA00000574 | CHECK WASHER                  |      | 7      |     |           |           |          |
| 165     | YA00000239 | 4KW FRONT CONTROL PANEL       |      | 1      |     |           |           |          |
| 166     | YA00000589 | BS PLUG                       |      | 2      |     |           |           |          |
| 167     | YA00000590 | MACHINE THREAD SCREW          |      | 8      |     |           |           |          |
| 168     | YA00000392 | TYPE 1 NON-METALLIC HEX NUTS  |      | 10     |     |           |           |          |
| 169     | YA00000350 | RED DC TERMINAL ASSEMBLY      |      | 1      |     |           |           |          |
| 170     | YA00000351 | BLACK DC TERMINAL ASSEMBLY    |      | 1      |     |           |           |          |
| 171     | YA00000232 | METAL PANELS                  |      | 1      |     |           |           |          |
| 172     | YA00000261 | ELECTRIC DOOR LOCKS           |      | 1      |     |           |           |          |
| 173     | YA00000399 | THE TROUGH PAN HEAD SCREWS 3* |      | 2      |     |           |           |          |
| 174     | YA00000422 | ELASTIC WASHER                |      | 2      |     |           |           |          |
| 175     | YA00000416 | WASHER                        |      | 2      |     |           |           |          |
| 176     | YA00000384 | ELECTROMAGNETIC HYDRAULIC     |      | 1      |     |           |           |          |
| 177     | YA00000401 | SCREW 4*10                    |      | 2      |     |           |           |          |
| 178     | YA00000341 | OVER-CURRENT PROTECTOR        |      | 1      |     |           |           |          |
| 179     | YA00000342 | 16A-CURRENT PROTECTION DEVICE |      | 2      |     |           |           |          |
| 180     | YA00000218 | BLOCK ALIGNMENT               |      | 1      |     |           |           |          |
| 181     | YA00000346 | TRANSFORMER                   |      | 1      |     |           |           |          |
| 182     | YA00000396 | SCREW 3*10                    |      | 2      |     |           |           |          |
| 183     | YA00000343 | RECTIFIER BRIDGE              |      | 1      |     |           |           |          |
| 184     | YA00000233 | TRANSFORMER FIXED PLATE       |      | 1      |     |           |           |          |
| 185     | YA00000209 | GROUND NUT                    |      | 1      |     |           |           |          |
| 186     | YA00000389 | HEXAGON NUTS WITH FLANGE      |      | 1      |     |           |           |          |
| 187     | YA00000231 | GROUND WIRE FIXED PLATE       |      | 1      |     |           |           |          |
| 188     | YA00000408 | BOLT 6*20                     |      | 1      |     |           |           |          |
| 189     | YA00000378 | AMMETER                       |      | 1      |     |           |           |          |
| 190     | YA00000386 | HEXAGON NUT M3                |      | 2      |     |           |           |          |
| 191     | YA00000403 | BOLT 5*12                     |      | 8      |     |           |           |          |
| 192     | YA00000404 | MACHINE WITH SCREWS5*20       |      | 1      |     |           |           |          |
| 193     | YA00000240 | 4KW REAR CONTROL PANEL        |      | 1      |     |           |           |          |
| 194     | YA00000406 | PAN HEAD FLANGE SCREW4*16     |      | 6      |     |           |           |          |
| 195     | YA00000264 | PANEL SHEATHING               |      | 2      |     |           |           |          |
| 196     | YA00000265 | PANEL SHEATHING               |      | 1      |     |           |           |          |
| 197     | YA00000311 | WIRE                          |      | 1      |     |           |           |          |
| 198     | YA00000312 | WIRE                          |      | 1      |     |           |           |          |
| 199     | YA00000313 | WIRE                          |      | 1      |     |           |           |          |
| 200     | YA00000314 | WIRE                          |      | 1      |     |           |           |          |
| 201     | YA00000315 | WIRE                          |      | 1      |     |           |           |          |
| 202     | YA00000316 | WIRE                          |      | 1      |     |           |           |          |
| 205     | YA00000594 | WIRE                          |      | 1      |     |           |           |          |
| 206     | YA00000319 | WIRE                          |      | 2      |     |           |           |          |
| 207     | YA00000320 | WIRE                          |      | 1      |     |           |           |          |
| 208     | YA00000321 | WIRE                          |      | 1      |     |           |           |          |
| 209     | YA00000322 | WIRE                          |      | 1      |     |           |           |          |
| 210     | YA00000323 | WIRE                          |      | 1      |     |           |           |          |
| 211     | YA00000324 | WIRE                          |      | 1      |     |           |           |          |

| Položka | Číslo dílu | Popis                        | Změn | Množst | N/O | Možnost 1 | Možnost 2 | Poznámka |
|---------|------------|------------------------------|------|--------|-----|-----------|-----------|----------|
| 212     | YA00000326 | WIRE                         |      | 1      |     |           |           |          |
| 213     | YA00000327 | WIRE                         |      | 1      |     |           |           |          |
| 214     | YA00000328 | WIRE                         |      | 1      |     |           |           |          |
| 215     | YA00000329 | WIRE                         |      | 1      |     |           |           |          |
| 216     | YA00000338 | WIRE U519                    |      | 2      |     |           |           |          |
| 217     | YA00000330 | WIRE                         |      | 1      |     |           |           |          |
| 218     | YA00000331 | WIRE                         |      | 1      |     |           |           |          |
| 219     | YA00000332 | WIRE                         |      | 1      |     |           |           |          |
| 220     | YA00000333 | WIRE                         |      | 1      |     |           |           |          |
| 221     | YA00000334 | WIRE                         |      | 1      |     |           |           |          |
| 222     | YA00000335 | WIRE                         |      | 1      |     |           |           |          |
| 223     | YA00000336 | WIRE                         |      | 1      |     |           |           |          |
| 224     | YA00000337 | WIRE                         |      | 1      |     |           |           |          |
| 225     | YA00000198 | MALE PLUG TERMINAL BLOCK     |      | 1      |     |           |           |          |
| 226     | YA00000199 | FEMALE PLUG TERMINAL BLOCK   |      | 1      |     |           |           |          |
| 227     | YA00000201 | MALE PLUG TERMINAL BLOCK     |      | 1      |     |           |           |          |
| 228     | YA00000197 | MALE PLUG TERMINAL BLOCK     |      | 1      |     |           |           |          |
| 229     | YA00000193 | WIRE COVER 0.22M             |      | 1      |     |           |           |          |
| 230     | YA00000196 | COTTON VARNISHED SLEEVE 0.4M |      | 1      |     |           |           |          |
| 231     | YA00000194 | FLEXIBLE CONDUIT 0.3M        |      | 1      |     |           |           |          |
| 232     | YA00000569 | HEAT-SHRINKABLE TUBE0.1M     |      | 1      |     |           |           |          |
| 233     | YA00000195 | A SMALL CABLE TIE            |      | 10     |     |           |           |          |
| 234     | YA00000570 | TERMINAL                     |      | 2      |     |           |           |          |
| 236     | YA00000369 | 420CC ENGINE                 |      | 1      |     |           |           |          |
| 237     | YA00000278 | 5KW ROTOR ASSEMBLY           |      | 1      |     |           |           |          |
| 238     | YA00000421 | FLAT GASKET                  |      | 1      |     |           |           |          |
| 239     | YA00000425 | SPRING WASHER                |      | 1      |     |           |           |          |
| 240     | YA00000249 | BOLT M10*265                 |      | 1      |     |           |           |          |
| 241     | YA00000393 | NUT M5                       |      | 2      |     |           |           |          |
| 242     | YA00000283 | 5KW STATOR ASSEMBLY          |      | 1      |     |           |           |          |
| 243     | YA00000227 | STATOR SHIELD                |      | 1      |     |           |           |          |
| 244     | YA00000395 | RIVETS                       |      | 4      |     |           |           |          |
| 245     | YA00000417 | GASKET                       |      | 4      |     |           |           |          |
| 246     | YA00000273 | FILTER                       |      | 1      |     |           |           |          |
| 247     | YA00000207 | GENERATOR REAR COVER         |      | 1      |     |           |           |          |
| 248     | YA00000250 | BOLT M5*215                  |      | 2      |     |           |           |          |
| 249     | YA00000419 | FLAT GASKET                  |      | 4      |     |           |           |          |
| 250     | YA00000423 | SPRING WASHER                |      | 4      |     |           |           |          |
| 251     | YA00000251 | BOLT M6*185                  |      | 4      |     |           |           |          |
| 252     | YA00000403 | BOLT 5*12                    |      | 1      |     |           |           |          |
| 253     | YA00000380 | AVR REGULATOR                |      | 1      |     |           |           |          |
| 254     | YA00000286 | BRUSH ASSEMBLY               |      | 1      |     |           |           |          |
| 255     | YA00000356 | SOCKET COMPONENTS            |      | 1      |     |           |           |          |
| 256     | YA00000407 | BOLT 5*12                    |      | 5      |     |           |           |          |
| 257     | YA00000266 | END COVER SHEATH             |      | 1      |     |           |           |          |
| 258     | YA00000272 | FILTER                       |      | 1      |     |           |           |          |
| 259     | YA00000205 | REAR COVER                   |      | 1      |     |           |           |          |
| 260     | YA00000407 | BOLT 5*12                    |      | 2      |     |           |           |          |

