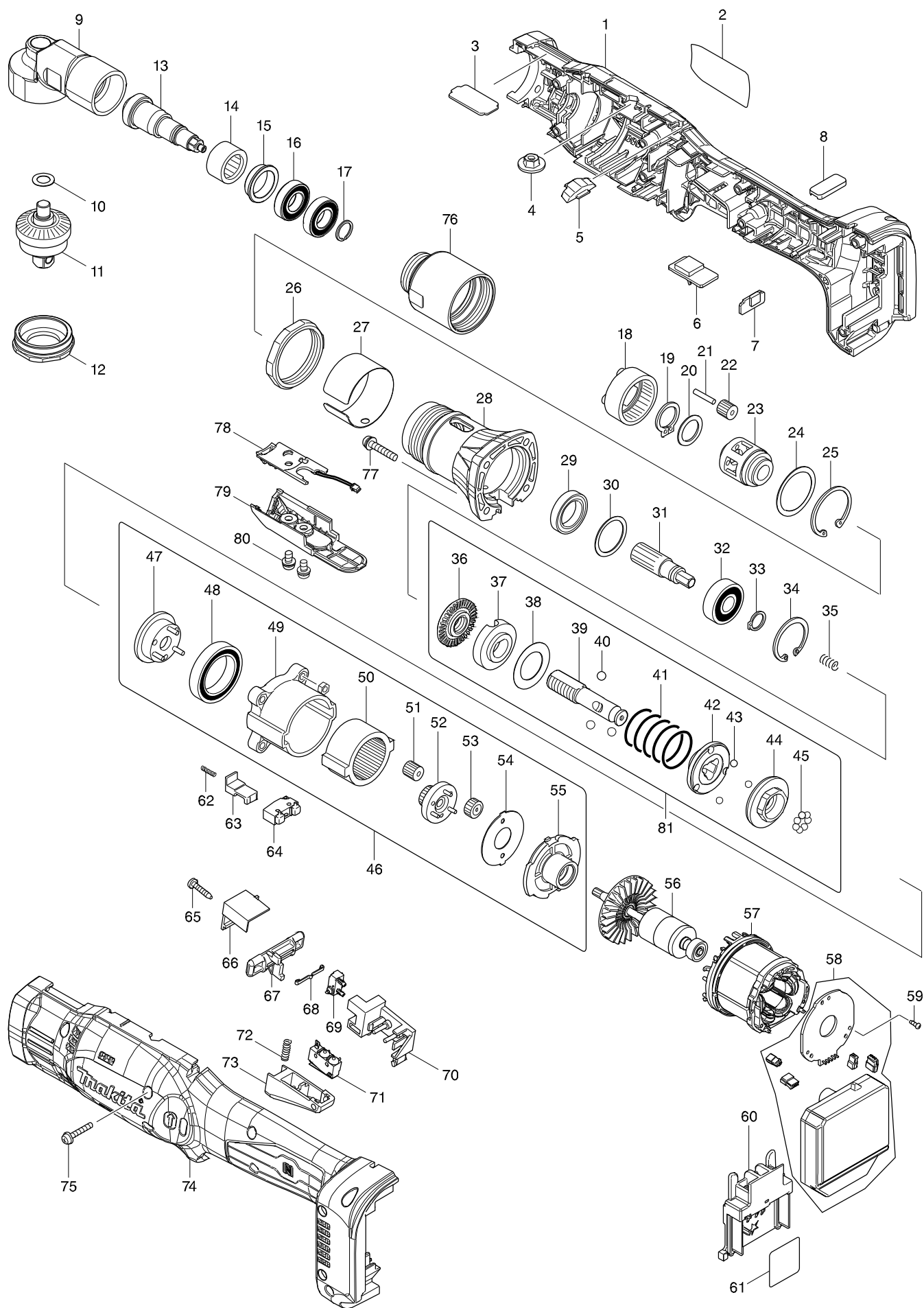


# Číslo typu DFL302F CORDLESS ANGLE SCREWDRIVER



Položka	Číslo dílu	Popis	Změn	Množstv	N/O	Možnost 1	Možnost 2	Poznámka
001	183J44-6	HOUSING SET		1				
C10	263005-3	RUBBER PIN 6		2				
C20	252825-0	INSERT NUT M4-4		4				
C30	931002-4	HEX. NUT M3		8				
D10		INC. 74						
002	854F52-7	DFL302F NAME PLATE		1				
003	345445-8	PLATE J		1				
004	252142-8	HEX.NUT FLANGE M5		1				
005	458391-7	LENS		1				
006	620792-1	BUZZER CIRCUIT		1				
007	620793-9	USB CIRCUIT		1				
008	424827-8	USB COVER		1				
009	143716-5	ANGLE HEAD COMPLETE		1				
010	253777-8	FLAT WASHER 8		1				
011	143714-9	SPINDLE A COMPLETE		1				
012	285739-8	BEARING RETAINER 20-34		1				
013	221589-7	SPIRAL BEVEL GEAR 9		1				
014	212222-2	NEEDLE BEARING 1612		1				
015	326709-9	SPACER		1				
016	211288-9	BALL BEARING 6901DDW		2				
017	961082-6	RETAINING RING WR12		1				
018	227120-7	INTERNAL GEAR 50		1				
019	961054-1	RETAINING RING S-14		1				
020	253837-6	FLAT WASHER 14		1				
021	256104-8	PIN 3		5				
022	227138-8	SPUR GEAR 14		5				
023	310148-3	CARRIER		1				
024	267127-1	FLAT WASHER 26		1				
025	962161-3	RETAINING RING R-32		1				
026	252187-6	HEX. NUT M36-41		1				
027	345448-2	RING 38L		1				
028	317808-8	CLUTCH CASE		1				
029	211283-9	BALL BEARING 6803ZZ		1				
030	267283-7	FLAT WASHER 21		1				
031	227137-0	SPUR GEAR 21		1				
032	211088-7	BALL BEARING 6000DDW		1				
033	961026-6	RETAINING RING S-10		1				
034	962105-3	RETAINING RING R-26		1				
035	233019-6	COMPRESSION SPRING 5		1				
036	324834-0	LOCK NUT M12		1				
037	158408-3	ADJUST RING COMPLETE		1				
038	267276-4	FLAT WASHER 18		1				
039	327086-2	SPINDLE		1				
040	216018-3	STEEL BALL 5,0		3				
041	233417-4	COMPRESSION SPRING 19F		1				
042	223146-7	CAM D		1				
043	216024-8	STEEL BALL 4		3				
044	223187-3	CUM F		1				

Položka	Číslo dílu	Popis	Změn	Množstv	N/O	Možnost 1	Možnost 2	Poznámka
045	216024-8	STEEL BALL 4		7				
046	125231-1	GEAR ASSY E		1				
D10		INC. 47-55						
047	153443-6	CARRIER COMPLETE A		1				
048	211375-4	BALL BEARING 6805LLB		1				
049	418004-2	GEAR CASE		1				
C10	931102-0	HEX. NUT M4		4				
050	227048-9	INTERNAL GEAR 47		1				
051	227050-2	SPUR GEAR 13		3				
052	153684-4	SPUR GEAR 20 COMPLETE C		1				
053	227104-5	SPUR GEAR 15		3				
054	267774-8	LOCK WASHER		1				
055	418003-4	MOTOR BRACKET		1				
056	619493-6	ROTOR		1				
057	629333-0	STATOR		1				
058	620790-5	CONTROLLER		1				
059	266490-9	TAPPING SCREW PT 2X6		3				
060	643850-6	TERMINAL		1				
061	854F57-7	DFL302F SERIAL NO. LABEL		1				
062	234361-8	COMPRESSION SPRING 2		1				
063	418002-6	SWITCH LEVER		1				
064	632E35-9	SWITCH UNIT		1				
065	266130-9	TAPPING SCREW BIND PT 3X16		1				
066	418204-4	COVER		1				
067	455766-1	F/R CHANGE LEVER		1				
068	232201-4	LEAF SPRING		1				
069	638276-5	SWITCH UNIT		1				
070	418202-8	SWITCH BASE		1				
071	638275-7	SWITCH UNIT		1				
072	231397-8	COMPRESSION SPRING 4		1				
073	418203-6	SWITCH LEVER A		1				
074	183J44-6	HOUSING SET		1				
C10	263005-3	RUBBER PIN 6		2				
C20	252825-0	INSERT NUT M4-4		4				
C30	931002-4	HEX. NUT M3		8				
D10		INC. 1						
075	251581-9	PAN HEAD SCREW M3X20		8				
076	327058-7	INTERNAL GEAR CASE		1				
077	265145-3	+ PAN HEAD SCREW M4X22		4				
078	620396-9	LED CIRCUIT		1				
079	457976-6	SWITCH COVER		1				
080	265171-2	PAN HEAD SCREW M4X8		2				
081	126791-6	CLUTCH ASSEMBLY T		1				
D10		36-45						
A01	661432-2	USB CABLE		1				