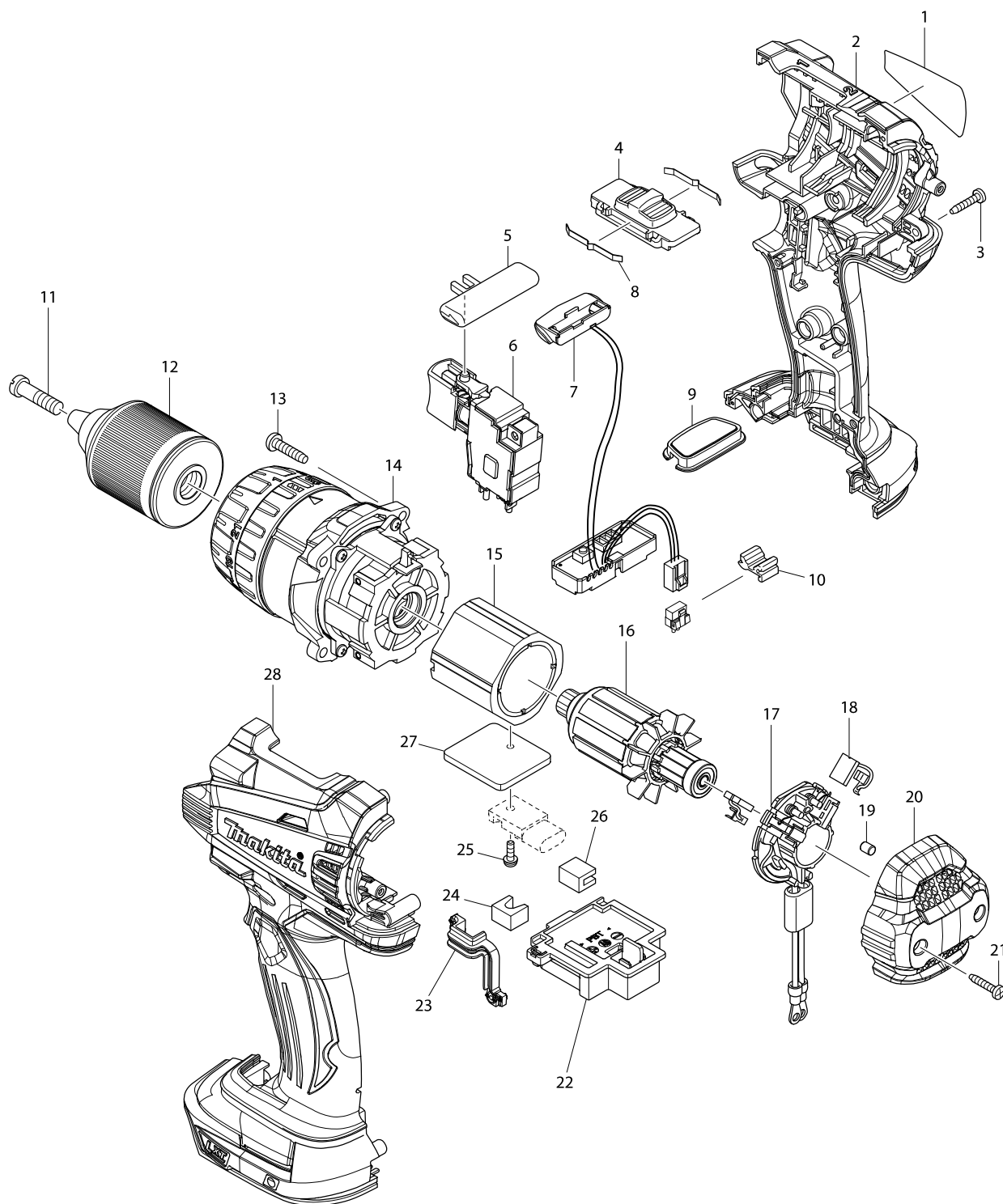


Číslo typu DDF458 CORDLESS DRIVER DRILL



Číslo typu DDF458 CORDLESS DRIVER DRILL

Strana 1 / 4

Položka	Číslo dílu	Popis	Změn	Množst	N/O	Možnost 1	Možnost 2	Poznámka
001	814Y91-3	DDF458 NAME PLATE		1				
C10	263005-3	vymezovací čep 6		2				
C20	252126-6	HEX. LOCKING NUT M4-7		2				
D10		INC. 28						
002G	187430-3	HOUSING SET		1				
002H	187430-3	HOUSING SET		1				
002I	187430-3	HOUSING SET		1				
002J	187430-3	HOUSING SET		1				
002K	187430-3	HOUSING SET		1				
002L	187430-3	HOUSING SET		1				
002M	187430-3	HOUSING SET		1				
002N	187430-3	HOUSING SET		1				
002O	187930-3	HOUSING SET		1				
003	266130-9	šroub PT 3X		7				
004	126100-9	SPEED CHANGE LEVER ASSEMBLY		1				
C10	233438-6	COMPRESSION SPRING 4		2				
005	419250-0	přepínač směru BDF451		1				
006G	650682-4	SWITCH TG573FSB-3		1	*			
006H	650682-4	SWITCH TG573FSB-3		1	*			
006I	650682-4	SWITCH TG573FSB-3		1	*			
006J	650682-4	SWITCH TG573FSB-3		1	*			
006K	650682-4	SWITCH TG573FSB-3		1	*			
006L	650682-4	SWITCH TG573FSB-3		1	*			
006M	650682-4	SWITCH TG573FSB-3		1	*			
006N	650682-4	SWITCH TG573FSB-3		1	*			
006-1G	650724-4	SWITCH TG573FSB-3	<	1				
006-1H	650724-4	SWITCH TG573FSB-3	<	1				
006-1I	650724-4	SWITCH TG573FSB-3	<	1				
006-1J	650724-4	SWITCH TG573FSB-3	<	1				
006-1K	650724-4	SWITCH TG573FSB-3	<	1				
006-1L	650724-4	SWITCH TG573FSB-3	<	1				
006-1M	650724-4	SWITCH TG573FSB-3	<	1				
006-1N	650724-4	SWITCH TG573FSB-3	<	1				
006-1O	650724-4	SWITCH TG573FSB-3		1				
007	620138-1	LIGHT CIRCUIT		1				
008	232220-0	listové péro přepínače 6319D/8414D		2				
009	140963-9	SWITCH PLATE COMPLETE		1				
010	424476-1	CUSHION		1				
011	251468-5	šroub MT065		1				
012	766015-4	KEYLESS DRILL CHUCK 13		1				
013	265995-6	šroub 4x18 = old 265941-9		4				
014	126098-0	GEAR ASSEMBLY		1				
015	638989-8	stator BHP458		1				
016	619301-1	rotor BHP458		1				
017	638991-1	držák uhlíků		1				
C10	688172-7	LINE FILTER		1				
018	194427-5	uhlíky CB-440 BTD/BDF/BHP=old194159		1				
019	263032-0	gumový čep		2				

Číslo typu DDF458 CORDLESS DRIVER DRILL

Strana 2 / 4

Položka	Číslo dílu	Popis	Změn	Množst	N/O	Možnost 1	Možnost 2	Poznámka
020G	453394-6	REAR COVER		1				
020H	453394-6	REAR COVER		1				
020I	453394-6	REAR COVER		1				
020J	453394-6	REAR COVER		1				
020K	453394-6	REAR COVER		1				
020L	453394-6	REAR COVER		1				
020M	453394-6	REAR COVER		1				
020N	453394-6	REAR COVER		1				
020O	455146-1	REAR COVER		1				
021	266130-9	šroub PT 3X		2				
022	644808-8	TERMINAL		1				
023	424430-5	SEAL		1				
024	423422-1	SPONGE A		1				
025	911013-5	924311		1				
026	423423-9	SPONGE B		1				
027	689176-2	HEAT SINK		1				
C10	263005-3	vymezovací čep 6		2				
C20	252126-6	HEX. LOCKING NUT M4-7		2				
D10		INC. 2						
028G	187430-3	HOUSING SET		1				
028H	187430-3	HOUSING SET		1				
028I	187430-3	HOUSING SET		1				
028J	187430-3	HOUSING SET		1				
028K	187430-3	HOUSING SET		1				
028L	187430-3	HOUSING SET		1				
028M	187430-3	HOUSING SET		1				
028N	187430-3	HOUSING SET		1				
028O	187930-3	HOUSING SET		1				
A01	126130-0	GRIP ASSEMBLY		1	*			
C10	154935-8	GRIP 36 COMPLETE		1	*			
C20	266750-9	SQUARE BOLT M8X100		1	*			
C30	346566-9	GRIP SPRING 60		1	*			
C40	453584-1	GRIP BASE 60		1	*			
A01-1	123258-5	GRIP ASSEMBLY	<	1				
C10	154935-8	GRIP 36 COMPLETE		1				
C20	266899-5	SQUARE BOLT M8X140		1				
C30	346566-9	GRIP SPRING 60		1				
C40	455189-3	GRIP BASE 60		1				
A02	251314-2	028078		2				
A03	346317-0	háček BDF/BHP446_456		1				
A04	452947-8	držák bitů=old419276-2		1				
A05	784637-8	(+ -) Bit 2-45		2				
A06G	***DC18RC	DC18RC FAST CHARGER		1				
A06I	***DC18RC	DC18RC FAST CHARGER		1				
A06J	821550-0	systemer Makpac 395x295x157mm		1				
C10	453974-8	LATCH		4				
A06K	***DC18RC	DC18RC FAST CHARGER		1				
A06L	***DC18RC	DC18RC FAST CHARGER		1				

Položka	Číslo dílu	Popis	Změn	Množst	N/O	Možnost 1	Možnost 2	Poznámka
A06M	***DC18RC	DC18RC FAST CHARGER		1				
A06N	***DC18RC	DC18RC FAST CHARGER		1				
A06O	***DC18RC	DC18RC FAST CHARGER		1				
A07G	194204-5	baterie BL1830 18V/3,0Ah Li-ion		2				
A07I	194204-5	baterie BL1830 18V/3,0Ah Li-ion		2				
A07J	837679-2	INNER TRAY		1	*			
A07K	196399-0	BATTERY BL1840 SET		2				
A07L	196399-0	BATTERY BL1840 SET		2				
A07M	194204-5	baterie BL1830 18V/3,0Ah Li-ion		3				
A07N	194204-5	baterie BL1830 18V/3,0Ah Li-ion		3				
A07O	194204-5	baterie BL1830 18V/3,0Ah Li-ion		3				
A07-1J	837916-4	INNER TRAY	<	1				
A08G	450128-8	kryt baterie		1				
A08I	450128-8	kryt baterie		1				
A08J	802J80-0	DDF458ZJ INDICATION LABEL		1				
A08K	450128-8	kryt baterie		1				
A08L	450128-8	kryt baterie		1				
A08M	450128-8	kryt baterie		2				
A08N	450128-8	kryt baterie		2				
A08O	450128-8	kryt baterie		2				
A09G	821524-1	PLASTIC CARRYING CASE		1				
C10	162302-3	spona		2				
C20	325809-2	SHAFT		1				
C30	451749-9	HANDLE		1				
C40	453473-0	PLASTIC CASE LID		1				
A09I	821550-0	systainer Makpac 395x295x157mm		1				
C10	453974-8	LATCH		4				
A09J	802J84-2	DDF458ZJ PLASTIC CASE LABEL		2				
A09K	821524-1	PLASTIC CARRYING CASE		1				
C10	162302-3	spona		2				
C20	325809-2	SHAFT		1				
C30	451749-9	HANDLE		1				
C40	453473-0	PLASTIC CASE LID		1				
A09L	821550-0	systainer Makpac 395x295x157mm		1				
C10	453974-8	LATCH		4				
A09M	821550-0	systainer Makpac 395x295x157mm		1				
C10	453974-8	LATCH		4				
A09N	821524-1	PLASTIC CARRYING CASE		1				
C10	162302-3	spona		2				
C20	325809-2	SHAFT		1				
C30	451749-9	HANDLE		1				
C40	453473-0	PLASTIC CASE LID		1				
A09O	821550-0	systainer Makpac 395x295x157mm		1				
C10	453974-8	LATCH		4				
A10G	802J89-2	DDF458RFE PLASTIC CASE LABEL		2				
A10I	837679-2	INNER TRAY		1	*			
A10K	802J86-8	DDF458RME PLASTIC CASE LABEL		2				
A10L	837679-2	INNER TRAY		1	*			

