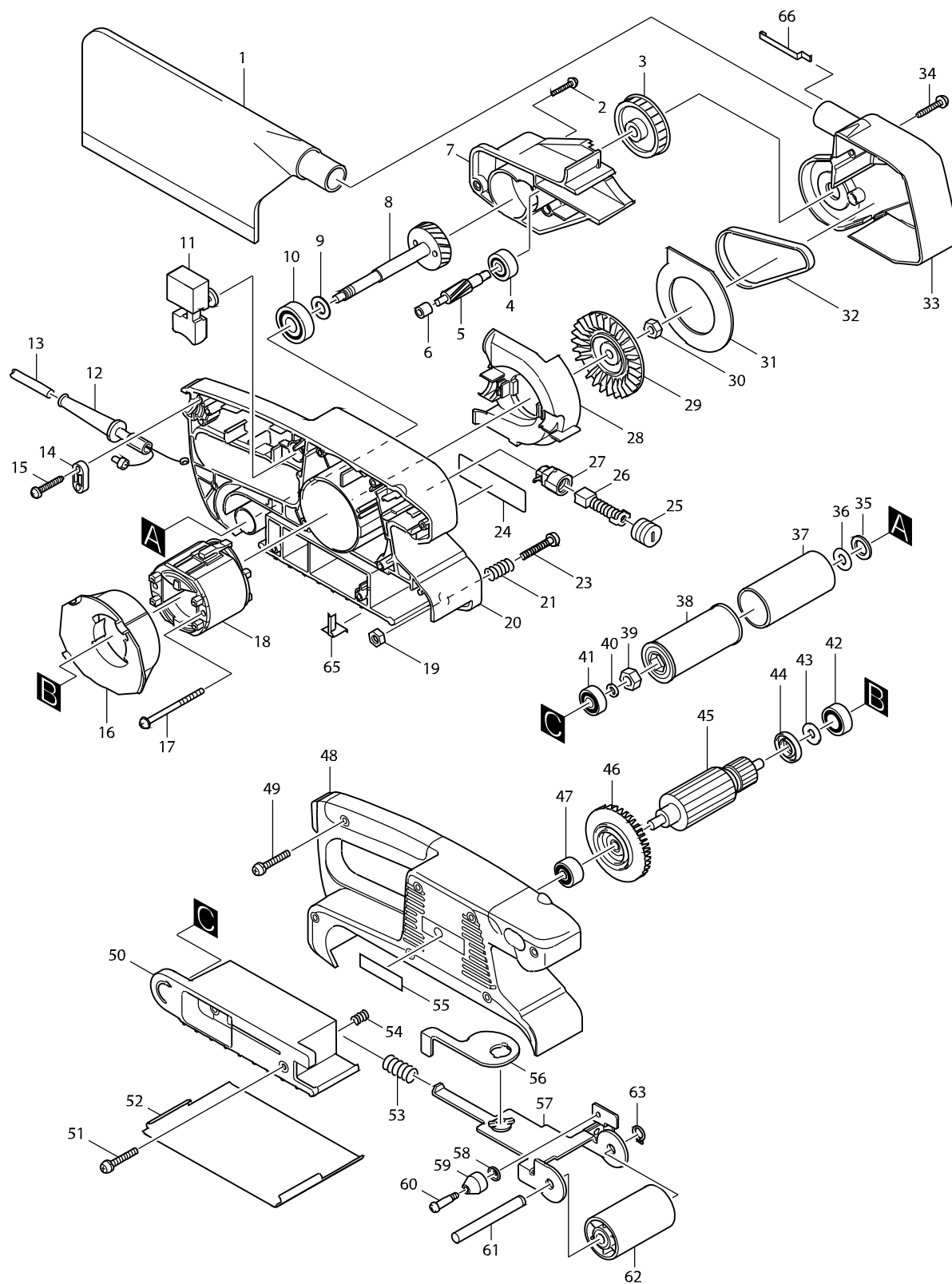


# Číslo typu 9910 PÁSOVÁ BRUSKA 76MM



| Položka | Číslo dílu | Popis                                | Změn | Množstv | N/O | Možnost 1 | Možnost 2 | Poznámka |
|---------|------------|--------------------------------------|------|---------|-----|-----------|-----------|----------|
| 001     | 122548-3   | plátěný pytlík                       |      | 1       |     |           |           |          |
| C10     | 410602-8   | uzávěr pytlíku                       |      | 1       |     |           |           |          |
| C10     | 410602-8   | uzávěr pytlíku                       |      | 1       |     |           |           |          |
| C10     | 410602-8   | uzávěr pytlíku                       |      | 1       |     |           |           |          |
| 002A_A  | 266119-7   | TAPPING SCREW FLANGE PF 4X25         |      | 4       | *   |           |           |          |
| 002A_C  | 266119-7   | TAPPING SCREW FLANGE PF 4X25         |      | 4       | *   |           |           |          |
| 002A1A  | 265999-8   | TAPPING SCREW 4X25                   | O    | 4       |     |           |           |          |
| 002A1C  | 265999-8   | TAPPING SCREW 4X25                   | O    | 4       |     |           |           |          |
| 002A1D  | 265999-8   | TAPPING SCREW 4X25                   |      | 4       |     |           |           |          |
| 003     | 222144-8   | řemenice                             |      | 1       |     |           |           |          |
| 004     | 210005-4   | kulič. ložisko 608DDW = old 211031-6 |      | 1       |     |           |           |          |
| 005     | 226494-3   | šnek 6                               |      | 1       |     |           |           |          |
| 006     | 212009-2   | jehlové ložisko 509                  |      | 1       |     |           |           |          |
| 007     | 416420-2   | skříň ložiska                        |      | 1       |     |           |           |          |
| 008     | 153252-3   | hřídel komplet                       |      | 1       |     |           |           |          |
| 009     | 253758-2   | podložka 10                          |      | 1       |     |           |           |          |
| 010A_   | 211061-7   | kuličkové ložisko 6000LLB            |      | 1       |     |           |           |          |
| 011     | 651285-7   | vypínač SGEL206-C4                   |      | 1       |     |           |           |          |
| 012A_   | 682502-4   | ochranná průchodka 8-85              |      | 1       |     |           |           |          |
| 013D_A  | 666066-6   | POWER SUPPLY CORD 1.0-2-2.5          |      | 1       | *   |           |           |          |
| 013D_C  | 666066-6   | POWER SUPPLY CORD 1.0-2-2.5          |      | 1       | *   |           |           |          |
| 013D1A  | 665394-6   | kabel 1.0-2-2.5 9566CR/CVR           | S    | 1       |     |           |           |          |
| 013D1C  | 665394-6   | kabel 1.0-2-2.5 9566CR/CVR           | S    | 1       |     |           |           |          |
| 013D1D  | 665394-6   | kabel 1.0-2-2.5 9566CR/CVR           |      | 1       |     |           |           |          |
| 014A_A  | 687063-9   | CORD CLAMP                           |      | 1       | *   |           |           |          |
| 014A_C  | 687063-9   | CORD CLAMP                           |      | 1       | *   |           |           |          |
| 014A1A  | 687052-4   | STRAIN RELIEF                        | S    | 1       |     |           |           |          |
| 014A1C  | 687052-4   | STRAIN RELIEF                        | S    | 1       |     |           |           |          |
| 014A1D  | 687052-4   | STRAIN RELIEF                        |      | 1       |     |           |           |          |
| 015A_A  | 266121-0   | šroub 4x18                           |      | 2       | *   |           |           |          |
| 015A_C  | 266121-0   | šroub 4x18                           |      | 2       | *   |           |           |          |
| 015A1A  | 265995-6   | šroub 4x18 = old 265941-9            | O    | 2       |     |           |           |          |
| 015A1C  | 265995-6   | šroub 4x18 = old 265941-9            | O    | 2       |     |           |           |          |
| 015A1D  | 265995-6   | šroub 4x18 = old 265941-9            |      | 2       |     |           |           |          |
| 016     | 416418-9   | vedení vzduchu                       |      | 1       |     |           |           |          |
| 017A_A  | 266114-7   | TAPPING SCREW FLANGE PF 4X60         |      | 2       | *   |           |           |          |
| 017A_C  | 266114-7   | TAPPING SCREW FLANGE PF 4X60         |      | 2       | *   |           |           |          |
| 017A1A  | 266052-3   | šroub 4x60                           | O    | 2       |     |           |           |          |
| 017A1C  | 266052-3   | šroub 4x60                           | O    | 2       |     |           |           |          |
| 017A1D  | 266052-3   | šroub 4x60                           |      | 2       |     |           |           |          |
| 018B_   | 633393-6   | stator                               |      | 1       |     |           |           |          |
| 019     | 931202-6   | HEX. NUT M5                          |      | 1       |     |           |           |          |
| 020     | 150958-4   | motorová skříň - levá                |      | 1       |     |           |           |          |
| D10     |            | INC. 6,19                            |      |         |     |           |           |          |
| 021     | 233219-8   | vinutá pružina 6                     |      | 1       |     |           |           |          |
| 023     | 911252-7   | šroub M5x30                          |      | 1       |     |           |           |          |
| 024     | 859229-3   | NAME PLATE 9910                      |      | 1       |     |           |           |          |
| 025     | 643550-8   | víčko uhlíků                         |      | 2       |     |           |           |          |

| Položka | Číslo dílu | Popis                        | Změn | Množstv | N/O | Možnost 1 | Možnost 2 | Poznámka |
|---------|------------|------------------------------|------|---------|-----|-----------|-----------|----------|
| 026A_   | 191940-4   | uhlíky CB-411 = old 191938-1 |      | 1       |     |           |           |          |
| 027     | 643922-7   | držák uhlíků                 |      | 2       |     |           |           |          |
| 028     | 416416-3   | vedení vzduchu               |      | 1       |     |           |           |          |
| 029     | 241660-1   | větrák 68                    |      | 1       |     |           |           |          |
| 030     | 252153-3   | matice M6-10                 |      | 1       |     |           |           |          |
| 031     | 344584-1   | kryt ventilátoru             |      | 1       |     |           |           |          |
| 032     | 225079-2   | hnací řemen                  |      | 1       |     |           |           |          |
| 033     | 416415-5   | BELT COVER                   |      | 1       |     |           |           |          |
| 034A_A  | 266119-7   | TAPPING SCREW FLANGE PF 4X25 |      | 4       | *   |           |           |          |
| 034A_C  | 266119-7   | TAPPING SCREW FLANGE PF 4X25 |      | 4       | *   |           |           |          |
| 034A1A  | 265999-8   | TAPPING SCREW 4X25           | O    | 4       |     |           |           |          |
| 034A1C  | 265999-8   | TAPPING SCREW 4X25           | O    | 4       |     |           |           |          |
| 034A1D  | 265999-8   | TAPPING SCREW 4X25           |      | 4       |     |           |           |          |
| 035     | 267177-6   | podložka 12                  |      | 1       |     |           |           |          |
| 036     | 253865-1   | podložka 8                   |      | 1       |     |           |           |          |
| 037     | 422032-1   | pouzdro válce                |      | 1       |     |           |           |          |
| 038     | 316971-4   | hnací válec                  |      | 1       |     |           |           |          |
| 039     | 252154-1   | matice M8-13                 |      | 1       |     |           |           |          |
| 040     | 253077-6   | distanční podložka 6         |      | 1       |     |           |           |          |
| 041     | 210022-4   | kuličkové ložisko 626 DDW    |      | 1       |     |           |           |          |
| 042     | 210023-2   | kuličkové ložisko 627 DDW    |      | 1       |     |           |           |          |
| 043     | 253823-7   | podložka 7                   |      | 1       |     |           |           |          |
| 044A    | 681648-3   | INSULATION WASHER            |      | 1       | *   |           |           |          |
| 044C    | 681648-3   | INSULATION WASHER            |      | 1       | *   |           |           |          |
| 044-1A  | 681658-0   | = old 681648-3               | X    | 1       |     |           |           |          |
| 044-1C  | 681658-0   | = old 681648-3               | X    | 1       |     |           |           |          |
| 044-1D  | 681658-0   | = old 681648-3               |      | 1       |     |           |           |          |
| 045B_   | 517243-2   | rotor                        |      | 1       |     |           |           |          |
| D10     |            | INC. 42-44,46,47             |      |         |     |           |           |          |
| 046     | 240008-4   | ventilátor 60 9910/9911      |      | 1       |     |           |           |          |
| 047     | 211021-9   | BALL BEARING 607LLB          |      | 1       |     |           |           |          |
| 048     | 182981-1   | obal 9910                    |      | 1       |     |           |           |          |
| D10     |            | INC. 55                      |      |         |     |           |           |          |
| 049A_A  | 266119-7   | TAPPING SCREW FLANGE PF 4X25 |      | 7       | *   |           |           |          |
| 049A_C  | 266119-7   | TAPPING SCREW FLANGE PF 4X25 |      | 7       | *   |           |           |          |
| 049A1A  | 265999-8   | TAPPING SCREW 4X25           | O    | 7       |     |           |           |          |
| 049A1C  | 265999-8   | TAPPING SCREW 4X25           | O    | 7       |     |           |           |          |
| 049A1D  | 265999-8   | TAPPING SCREW 4X25           |      | 7       |     |           |           |          |
| 050     | 416419-7   | skříň napínáku               |      | 1       |     |           |           |          |
| 051A_A  | 266119-7   | TAPPING SCREW FLANGE PF 4X25 |      | 2       | *   |           |           |          |
| 051A_C  | 266119-7   | TAPPING SCREW FLANGE PF 4X25 |      | 2       | *   |           |           |          |
| 051A1A  | 265999-8   | TAPPING SCREW 4X25           | O    | 2       |     |           |           |          |
| 051A1C  | 265999-8   | TAPPING SCREW 4X25           | O    | 2       |     |           |           |          |
| 051A1D  | 265999-8   | TAPPING SCREW 4X25           |      | 2       |     |           |           |          |
| 052A    | 344586-7   | STEEL PLATE                  |      | 1       | *   |           |           |          |
| 052C    | 344586-7   | STEEL PLATE                  |      | 1       | *   |           |           |          |
| 052-1A  | 345503-0   | kluzný plech = old 344586-7  | O    | 1       | *   |           |           |          |
| 052-1C  | 345503-0   | kluzný plech = old 344586-7  | O    | 1       | *   |           |           |          |

