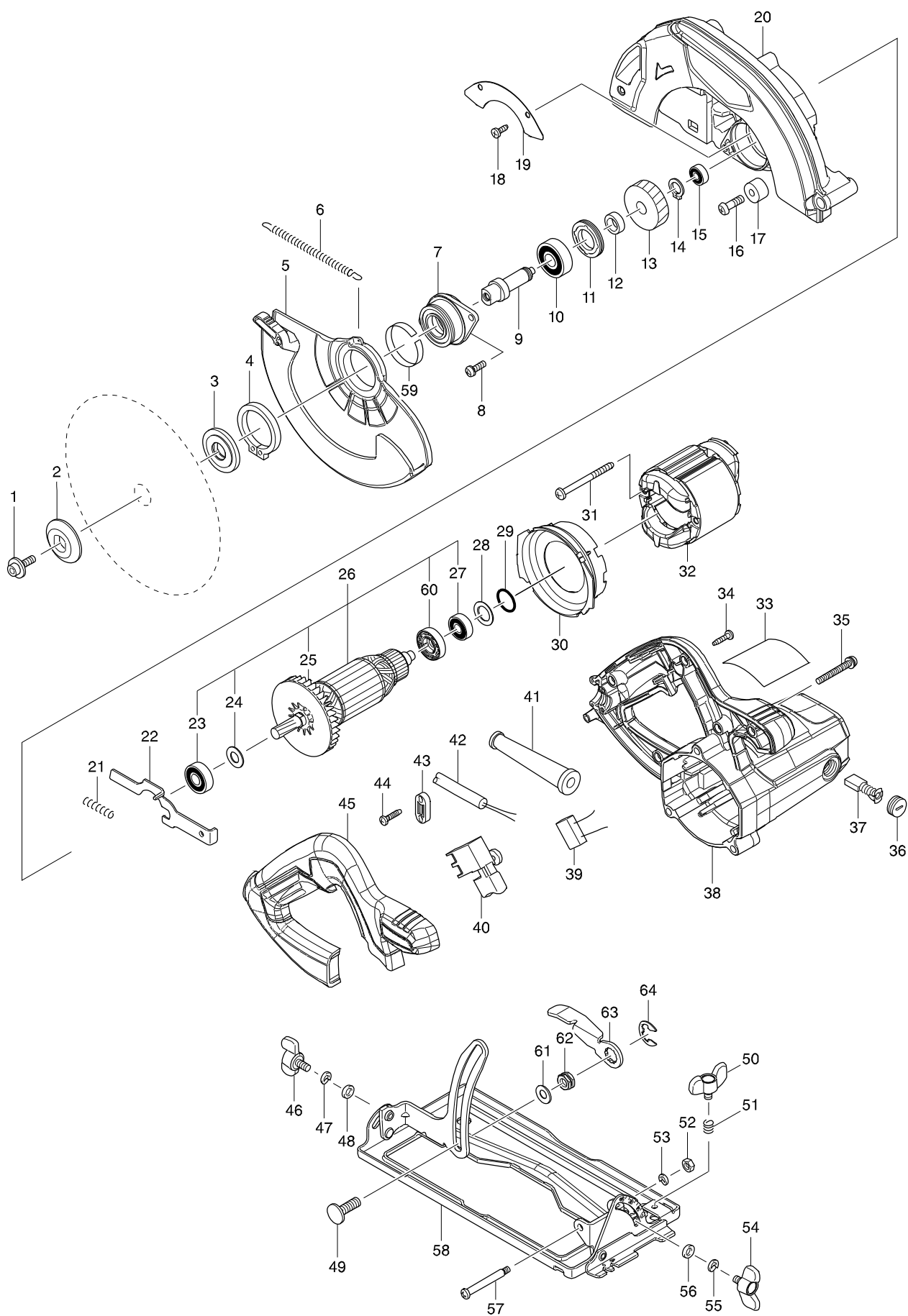


Číslo typu M5802 185/190MM CIRCULAR SAW



Položka	Číslo dílu	Popis	Změn	Množství	N/O	Možnost 1	Možnost 2	Poznámka
001	266819-9	HEX.SOKCET HEAD BOLT M6X20		1				
002	224275-9	OUTER FLANGE 40		1				
003	224370-5	INNER FLANGE 40		1				
004	961155-5	RETAINING RING S-38		1				
005	452090-3	SAFETY COVER		1				
006	231839-2	TENSION SPRING 4		1				
007	317666-2	BEARING BOX		1				
008	265120-9	PAN HEAD SCREW M5X16		2				
009	324395-0	SPINDLE		1				
010	211145-1	BALL BEARING 6201ZZ		1				
011	285840-9	BEARING RETAINER 19-33		1				
012	257173-2	RING 12		1				
013	226610-7	HELICAL GEAR 38		1				
014	961052-5	RETAINING RING S-12		1				
015	210028-2	BALL BEARING 606ZZ		1				
016	265117-8	+PAN HEAD SCREW M6X20		1				
017	262556-3	RUBBER SLEEVE 6		1				
018	266026-4	TAPPING SCREW BIND CT 4X12		1				
019	346314-6	COVER PLATE		1				
020	143585-4	BLADE CASE COMPLETE		1				
C10	213445-5	O-RING 26		1				
021	233092-6	COMPRESSION SPRING 5		1				
022	345317-7	SHAFT LOCK		1				
023	210067-2	BALL BEARING 6000ZZ		1				
024	267256-0	FLAT WASHER 10		1				
025	240064-4	FAN 70		1				
026	510167-1	ARMATURE ASS'Y 240V		1				
D10		INC. 23-25,27,60						
027	210029-0	BALL BEARING 608ZZ		1				
028	267255-2	FLAT WASHER 14		1				
029	213279-6	O RING 18		1				
030	452092-9	BAFFLE PLATE		1				
031	266329-6	TAPPING SCREW 5X60		2				
032	594493-6	FIELD ASS'Y 220V		1	*			
C10	654220-4	RING TERMINAL		2	*			
C20	654501-6	CONNECTOR P-1,25		2	*			
032-1	593943-8	FIELD ASS'Y 220V	O	1				
C10	654220-4	RING TERMINAL		2				
C20	654501-6	CONNECTOR P-1,25		2				
033	852B51-9	M5802 NAME PLATE		1				
034	266326-2	TAPPING SCREW 4X18		5				
035	265104-7	PAN HEAD SCREW M5X40		3				
036	643750-0	BRUSH HOLDER CAP 7-11		2				
037	191963-2	CARBON BRUSH CB-303		1				
038	140586-3	MOTOR HOUSING COMPLETE		1				
C10	643764-9	BRUSH HOLDER		2				
039	645190-8	NOISE SUPPRESSOR		1				
040	650238-3	SWITCH FA1-6/1D-2		1				

Položka	Číslo dílu	Popis	Změn	Množstv	N/O	Možnost 1	Možnost 2	Poznámka
041	682540-6	CORD GUARD 9.3-90		1				
042	665852-2	POWER SUPPLY CORD 1.0-2-2.0		1	*			
042-1	695454-0	POWER SUPPLY CORD 1.0-2-2.0	O	1				
043	687124-5	STRAIN RELIEF		1				
044	266326-2	TAPPING SCREW 4X18		2				
045	452089-8	HANDLE COVER		1				
046	265754-8	THUMB SCREW M6X12		1				
047	942151-2	SPRING WASHER 6		1				
048	941151-9	FLAT WASHER 6		1				
049	266396-1	FLAT HEADSQUARE NECKBOLT M8X2		1				
050	265754-8	THUMB SCREW M6X12		1				
051	233376-2	COMPRESSION SPRING 8		1				
052	252175-3	HEX. NUT M5		1				
053	942101-7	SPRING WASHER 5		1				
054	265754-8	THUMB SCREW M6X12		1				
055	942151-2	SPRING WASHER 6		1				
056	941151-9	FLAT WASHER 6		1				
057	265118-6	+ PAN HEAD SCREW M5		1				
058	161300-4	BASE		1				
059	345391-5	THICKNESS RING		1				
060	681659-8	INSULATION WASHER		1				
061	941201-0	FLAT WASHER 8		1				
062	252199-9	HEX. NUT M8-13		1				
063	346311-2	LEVER PLATE		1				
064	257953-6	BOW STOP RING E-12		1				
A01	164095-8	GUIDE RULE		1				
A02	452091-1	DUST NOZZLE		1				
A03	911218-7	PAN HEAD SCREW M5X14		1				
A04	783217-7	HEX. WRENCH 5		1				
A05	B-02939	T.C.T. SAW BLADE 190MM		1				