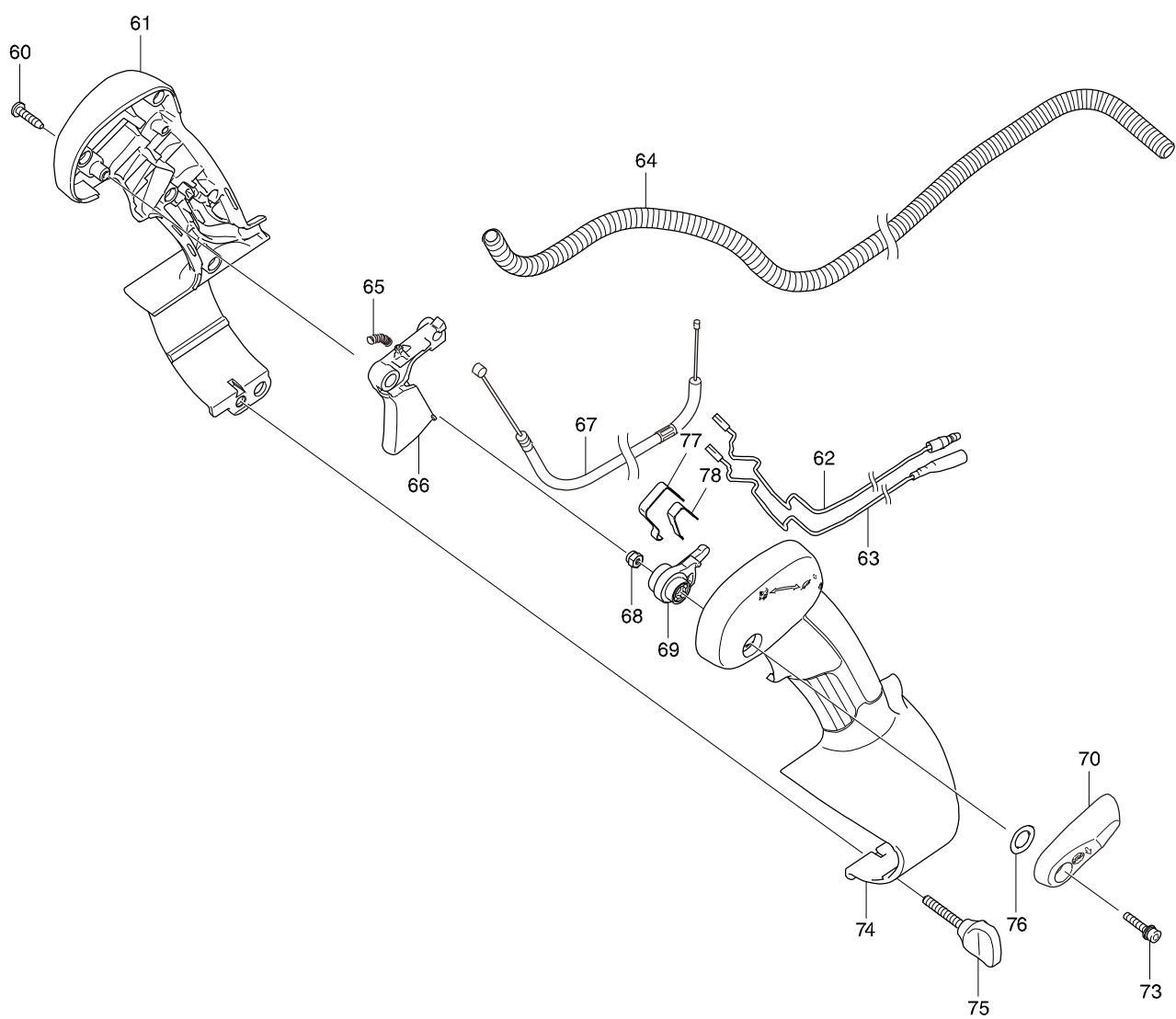
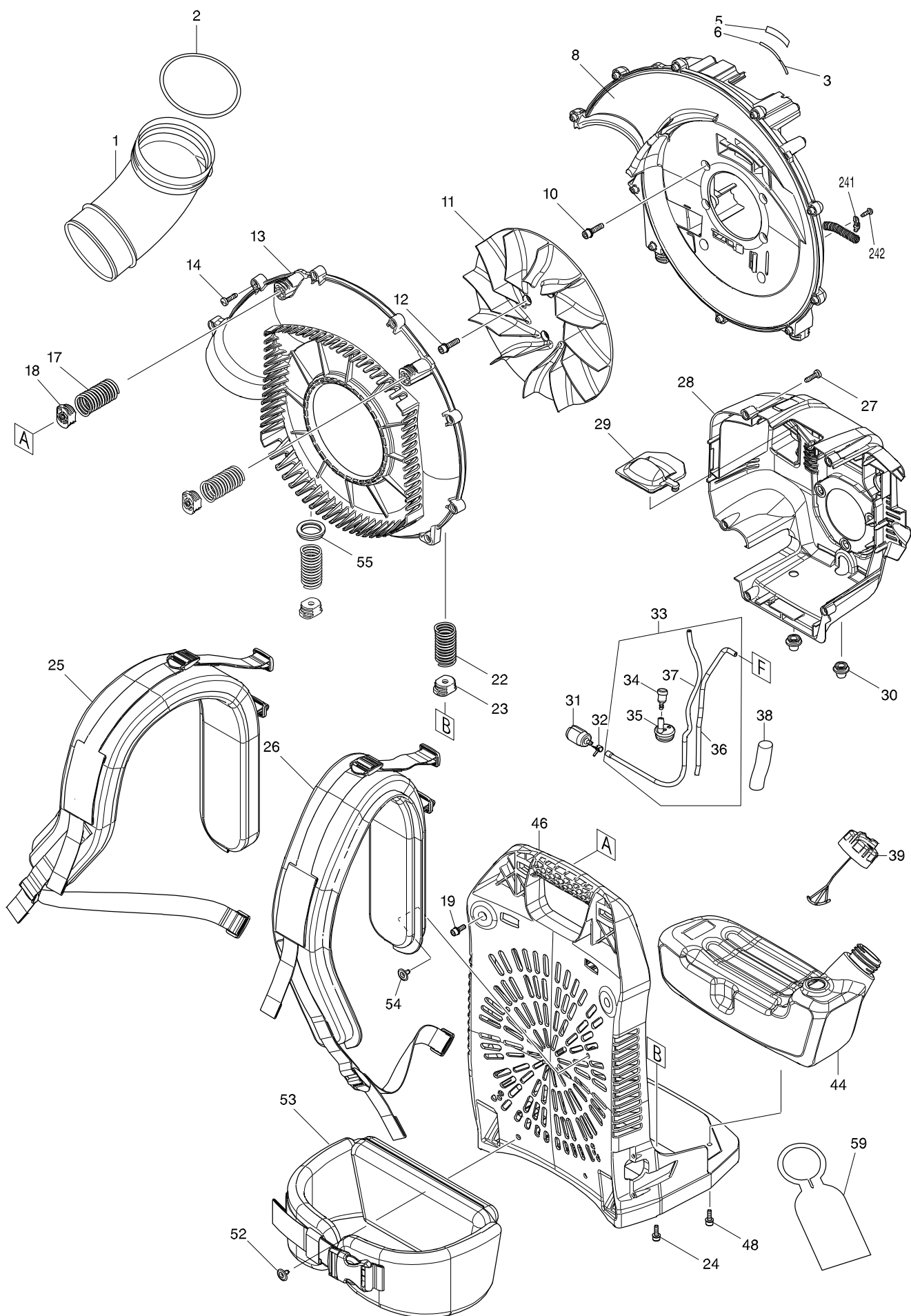


Číslo typu MG5300.4 PETROL BLOWER

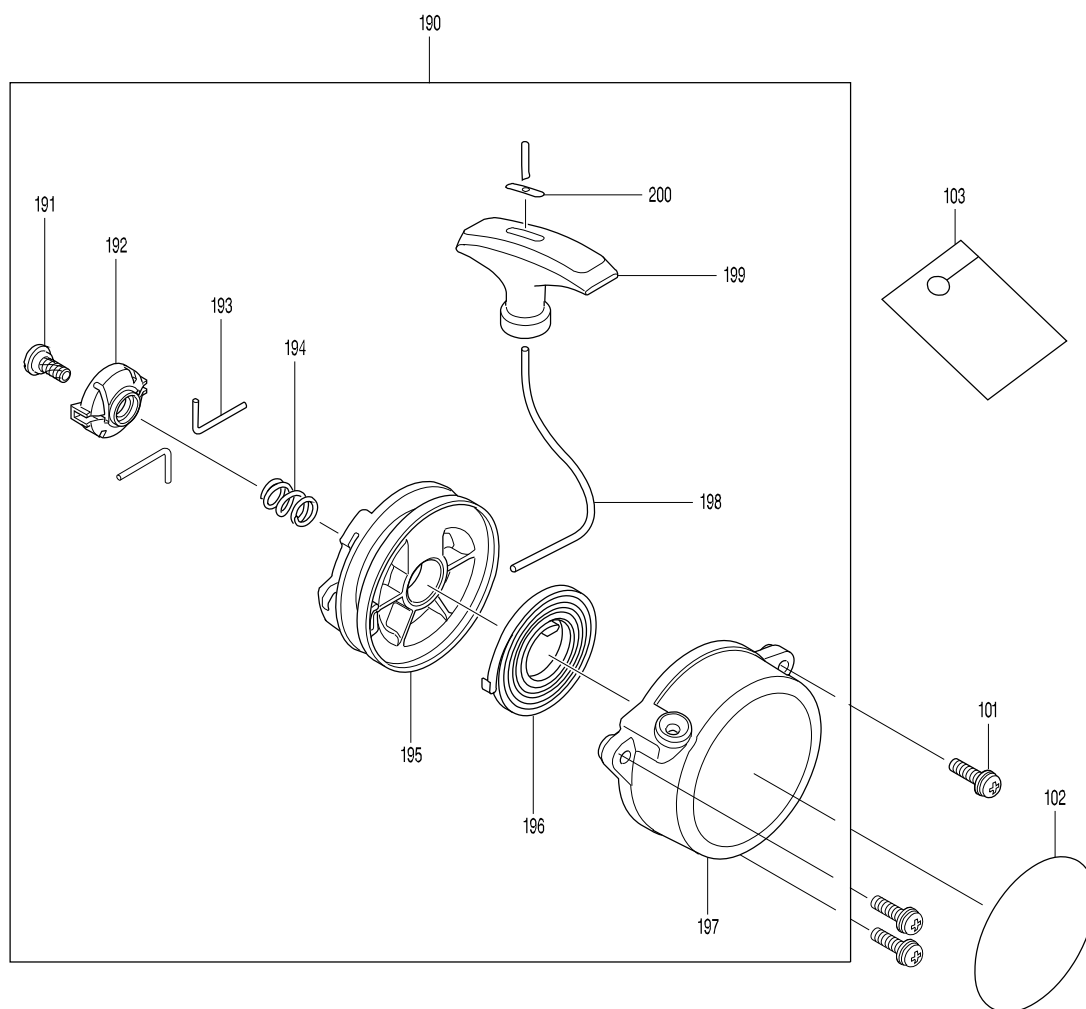
# Číslo typu MG5300.4 PETROL BLOWER



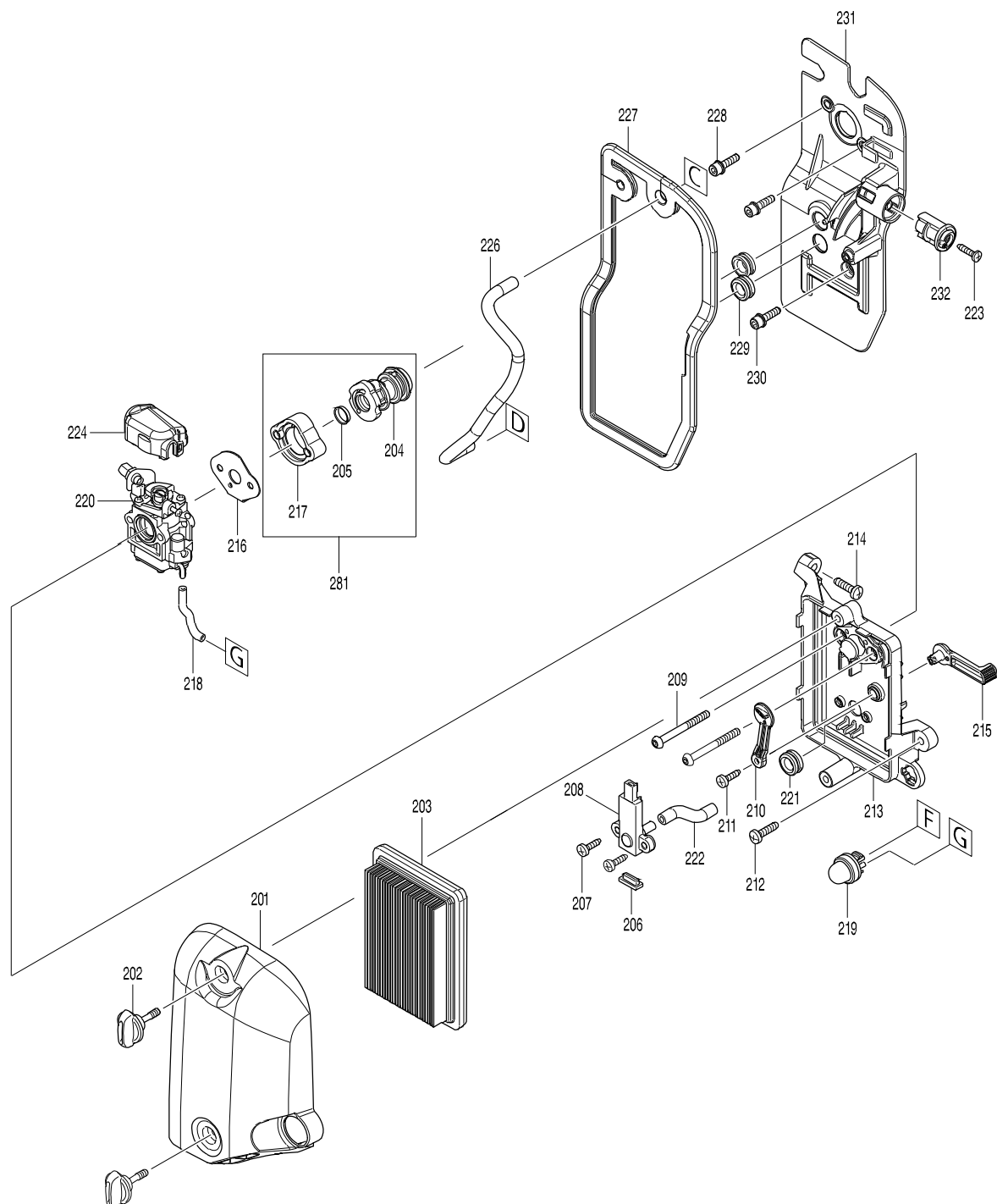
# Číslo typu MG5300.4 PETROL BLOWER



# Číslo typu MG5300.4 PETROL BLOWER

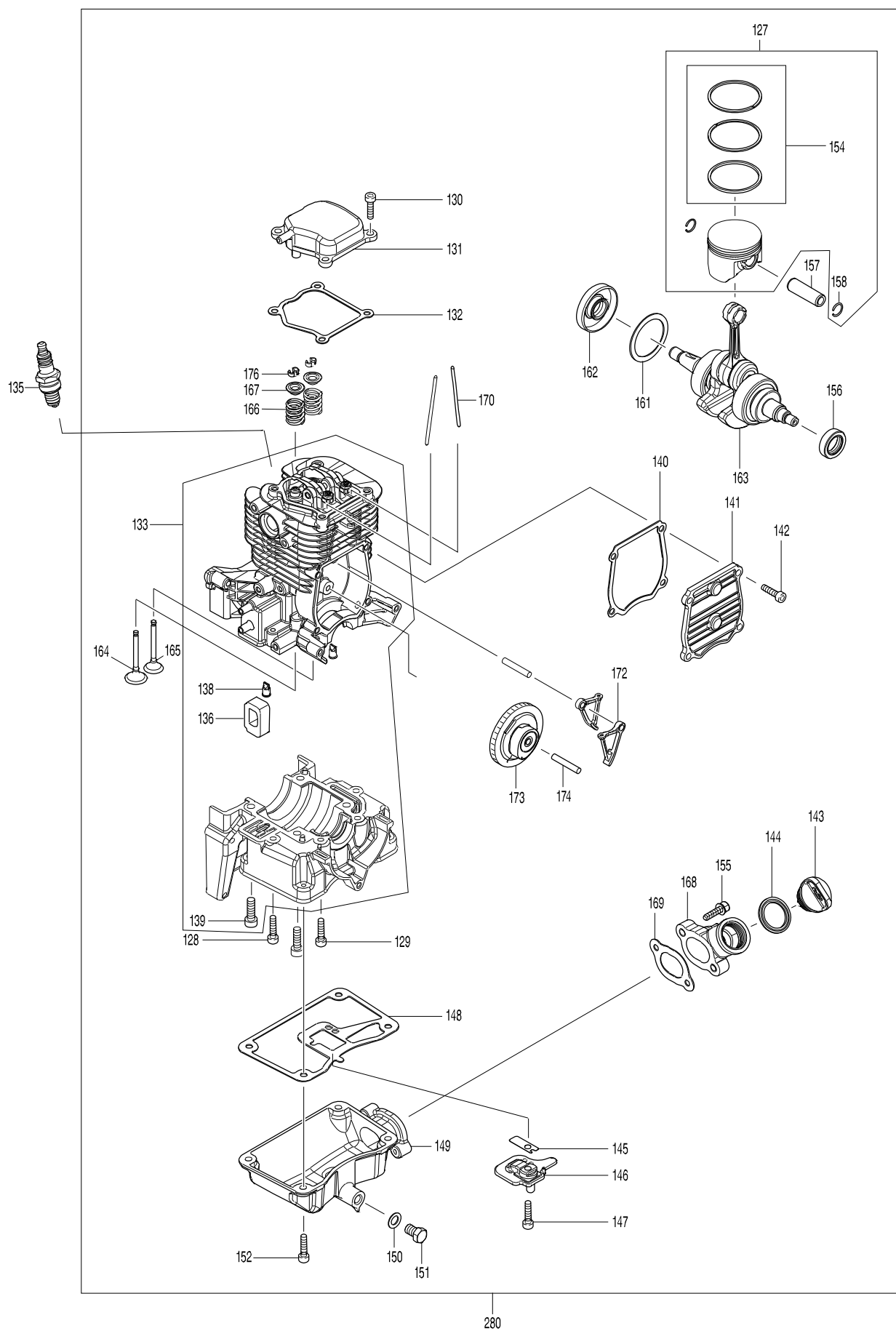


# Číslo typu MG5300.4 PETROL BLOWER



Číslo typu MG5300.4 PETROL BLOWER

# Číslo typu MG5300.4 PETROL BLOWER



280

Číslo typu MG5300.4 PETROL BLOWER



Položka	Číslo dílu	Popis	Změn	Množstv	N/O	Možnost 1	Možnost 2	Poznámka
001	412144-8	ELBOW		1				
002	213645-7	O RING 93		1				
003	852V99-1	SERIAL NO. LABEL		1				
005	803T61-7	CAUTION LABEL		1				
006	801D19-4	SERIAL NO. LABEL		1				
008	457098-2	FRONT VOLUTE CASE		1				
010	922343-9	H.S.H.BOLT M6X25 WITH WR		6				
011	240170-5	FAN 243		1				
012	922343-9	H.S.H.BOLT M6X25 WITH WR		4				
013	457099-0	REAR VOLUTE CASE		1				
014	266420-0	TAPPING SCREW 5X20		10				
017	232328-0	COMPRESSION SPRING 22		2				
018	454904-2	SPRING HOLDER B		2				
019	922223-9	H.S.H.BOLT M5X16 WITH WR		2				
022	232329-8	COMPRESSION SPRING 22		2				
023	454904-2	SPRING HOLDER B		2				
024	922223-9	H.S.H.BOLT M5X16 WITH WR		2				
025	161546-2	BAND R COMPLETE D		1				
026	161545-4	BAND L COMPLETE D		1				
027	266420-0	TAPPING SCREW 5X20		5				
028	144361-9	ENGINE COVER COMPLETE D		1				
C10	898343-0	CAUTION LABEL		1				
029	424909-6	PLUG COVER		1				
030	424620-0	DAMPER		2				
031	163532-9	FILTER		1				
032	345920-4	HOSE CLAMP		1				
033	123788-6	FUEL TUBE ASSEMBLY		1				
D10		INC. 34-37						
034	168396-6	BREATHER		1				
035	424505-0	GROMMET		1				
036	412120-2	FUEL TUBE 3-370		1				
037	412114-7	FUEL TUBE 3-370		1				
038	422137-7	TUBE GUARD 20-102		1				
039	125728-0	FUEL TANK CAP ASSEMBLY		1				
044	457086-9	FUEL TANK		1				
046	457097-4	FRAME		1				
048	922223-9	H.S.H.BOLT M5X16 WITH WR		2				
052	6672500300	LOCK RIVET		4	*			
052-1	458158-3	RIVET 6	O	4				
053	161567-4	HIP BELT		1				
054	6672500300	LOCK RIVET		2	*			
054-1	458158-3	RIVET 6	O	2				
055	424678-9	RUBBER RING 25		1				
059	810455-9	CAUTION PLATE		1				
060	266326-2	TAPPING SCREW 4X18		5				
061	183F27-2	LEVER CASE SET		1				
D10		INC. 74						
062	632J31-7	LEAD UNIT A		1				

Položka	Číslo dílu	Popis	Změn	Množstv	N/O	Možnost 1	Možnost 2	Poznámka
063	632J60-0	LEAD UNIT B		1				
064	457105-1	CORRUGATE TUBE		1				
065	231469-9	COMPRESSION SPRING 4		1				
066	454899-9	THROTTLE LEVER A		1				
067	168843-7	CONTROL CABLE		1				
068	252126-6	HEX. LOCKING NUT M4-7		1				
069	454924-6	THROTTLE LINK		1				
070	454900-0	THROTTLE LEVER B		1				
073	922138-0	H.S.H.BOLT M4X20 WITH WR		1				
074	183F27-2	LEVER CASE SET		1				
D10		INC. 61						
075	265762-9	THUMB SCREW M5X30		1				
076	253052-2	FLAT WASHER 12		1				
077	232330-3	LEAF SPRING		1				
078	232331-1	LEAF SPRING		1				
090	282025-8	HOSE CLAMP 100		1				
091	454934-3	FLEXIBLE PIPE		1				
092	282025-8	HOSE CLAMP 100		1				
093	161653-1	SWIVEL PIPE COMPLETE		1				
094	456400-6	CABLE HOLDER		1				
100	5975500000	PULLEY		1	*			
100-1	161599-1	PULLEY	O	1				
101	922233-6	HEX SOCKET HEAD BOLT M5X20		3				
102	812A82-4	MG5300.4 MODEL NO. LABEL		1				
103	819431-0	CAUTION TAG		1				
127	198420-1	PISTON SET		1				
D10		INC. 154,158						
128	922232-8	HEX. SOCKET HEAD BOLT M5X20		2				
129	922232-8	HEX. SOCKET HEAD BOLT M5X20		2				
130	922232-8	HEX. SOCKET HEAD BOLT M5X20		4				
131	319465-8	ROCKER COVER		1				
132	161520-0	ROCKER COVER GASKET		1				
133	135893-7	CYLINDER BLOCK COMPLETE ASS'Y		1				
D10		INC. 136,138,139						
135	168652-4	SPARK PLUG		1				
136	352020-3	SEPARATOR MESH		1				
138	424201-0	CHECK VALVE		3				
139	922332-4	HEX. SOCKET HEAD BOLT M6X20		4				
140	161521-8	CAM GEAR COVER GASKET		1				
141	319464-0	CAM GEAR COVER		1				
142	922232-8	HEX. SOCKET HEAD BOLT M5X20		4				
143	452047-4	OIL CAP		1				
144	424343-0	GASKET		1				
145	346398-4	LEAD VALVE		1				
146	319467-4	RETAINER PLATE		1				
147	922232-8	HEX. SOCKET HEAD BOLT M5X20		1				
148	161522-6	OIL CASE GASKET		1				
149	319466-6	OIL CASE		1				

Položka	Číslo dílu	Popis	Změn	Množstv	N/O	Možnost 1	Možnost 2	Poznámka
150	346452-4	GASKET		1				
151	921412-3	HEX. BOLT M8X12		1				
152	922232-8	HEX. SOCKET HEAD BOLT M5X20		4				
154	198421-9	PISTON RING SET		1				
155	922233-6	HEX SOCKET HEAD BOLT M5X20		2				
156	213231-4	OIL SEAL 15		1				
157	256331-7	PISTON PIN 11		1				
158	232316-7	RING SPRING 11		2				
160	254001-2	WOODRUFF KEY 4		1				
161	253374-0	FLAT WASHER 35		1				
162	213088-3	OIL SEAL 15		1				
163	123748-8	CRANK SHAFT ASSEMBLY		1				
164	326795-0	INTAKE VALVE		1				
165	326796-8	EXHAUST VALVE		1				
166	232315-9	COMPRESSION SPRING 12		2				
167	331966-6	RETAINER		2				
168	456999-1	OIL PIPE		1				
169	161523-4	OIL PIPE GASKET		1				
170	256866-8	ROD 2.5		2				
172	310739-0	CAM LIFTER		2				
173	135894-5	CAM GEAR ASSY		1				
174	256196-7	PIN 5		2				
175	331987-8	EXHAUST PORT SPACER		1				
176	331967-4	COTTER		4				
179	347077-7	MUFFLER GASKET		1				
180	161518-7	MUFFLER		1				
181	922332-4	HEX. SOCKET HEAD BOLT M6X20		3				
182	424105-6	PLUG CAP		1				
183	324891-8	PLUG CAP SPRING		1				
184	922138-0	H.S.H.BOLT M4X20 WITH WR		2				
185	632J30-9	LEAD UNIT A		1				
186	632J50-3	LEAD UNIT B		1				
187	161411-5	IGNITION COIL		1				
188	319391-1	FLYWHEEL		1				
189	264054-3	FLANGE NUT M10		1				
190	123863-8	RECOIL STARTER ASSEMBLY		1				
D10		INC. 191-200						
191	SG00000005	SET SCREW A60701200080		1				
192	424516-5	COLLAR		1				
193	326200-7	SWING ARM		2				
194	234257-3	FRICTION SPRING		1				
195	441075-4	REEL		1				
196	SG00000018	SPIRAL SPRING		1				
197	457302-9	RECOIL STARTER		1				
198	444043-6	STARTER ROPE		1				
199	424361-8	STARTER KNOB		1				
200	SG00000009	ROPE STOPPER A57302611810		1				
201	457088-5	AIR CLEANER COVER		1				

Položka	Číslo dílu	Popis	Změn	Množstv	N/O	Možnost 1	Možnost 2	Poznámka
202	251481-3	THUMB SCREW M5X20		2				
203	424896-9	AIR CLEANER ELEMENT		1				
204	424898-5	FUEL SUCTION LINE		1				
205	332075-4	INNER RING		1				
206	424897-7	RUBBER PLATE		1				
207	266192-7	TAPPING SCREW 4X14		2				
208	456994-1	BLOWBY GUIDE		1				
209	251496-0	H.S. BUTTON HEAD BOLT M5X50		2				
210	456995-9	CHOKE PLATE		1	*			
210-1	458167-2	CHOKE PLATE	<	1				
211	266192-7	TAPPING SCREW 4X14		1				
212	266420-0	TAPPING SCREW 5X20		1				
213	456993-3	AIR CLEANER PLATE		1				
214	266420-0	TAPPING SCREW 5X20		2				
215	453502-9	CHOKE LEVER		1	*			
215-1	458165-6	CHOKE LEVER	S	1				
216	161519-5	CARBURETOR GASKET		1				
217	456996-7	CARBURETOR BRACKET		1				
218	424900-4	FUEL TUBE 3-85		1				
219	168398-2	PRIMER PUMP		1				
220	161517-9	CARBURETOR		1				
D10		INC. 250-258,261-273						
221	424623-4	GROMMET		1				
222	422084-2	TUBE 5-55		1				
223	266326-2	TAPPING SCREW 4X18		1				
224	456401-4	CARBURETOR COVER		1				
226	424901-2	OIL TUBE 5-195		1				
227	424899-3	INSULATOR SEAL		1				
228	922233-6	HEX SOCKET HEAD BOLT M5X20		2				
229	424623-4	GROMMET		2				
230	922233-6	HEX SOCKET HEAD BOLT M5X20		1				
231	456997-5	INSULATOR		1				
232	456998-3	ICING VALVE		1				
241	687682-1	STRAIN RELIEF		2				
242	266192-7	TAPPING SCREW 4X14		2				
250	266795-7	ADJUST SCREW		1				
251	264065-8	CABLE ADJUST NUT M6		1				
252	266704-6	PAN HEAD SCREW M3X10		2				
253	346491-4	BRACKET CABLE		1				
254	325922-6	SWIVEL		1				
255	413140-9	WASHER		1				
256	257964-1	STOP RING E-3		1				
257	424444-4	PACKING RING		1				
258	234183-6	CONICAL COMPRESSION SPRING 5-9		1				
261	442155-9	PUMP GASKET		1				
262	WJ00009599	PUMP DIAPHRAGM		1				
263	WJ00059242	PUMP BODY ASS'Y		1				
264	442183-4	METERING DIAPHRAGM GASKET		1				

