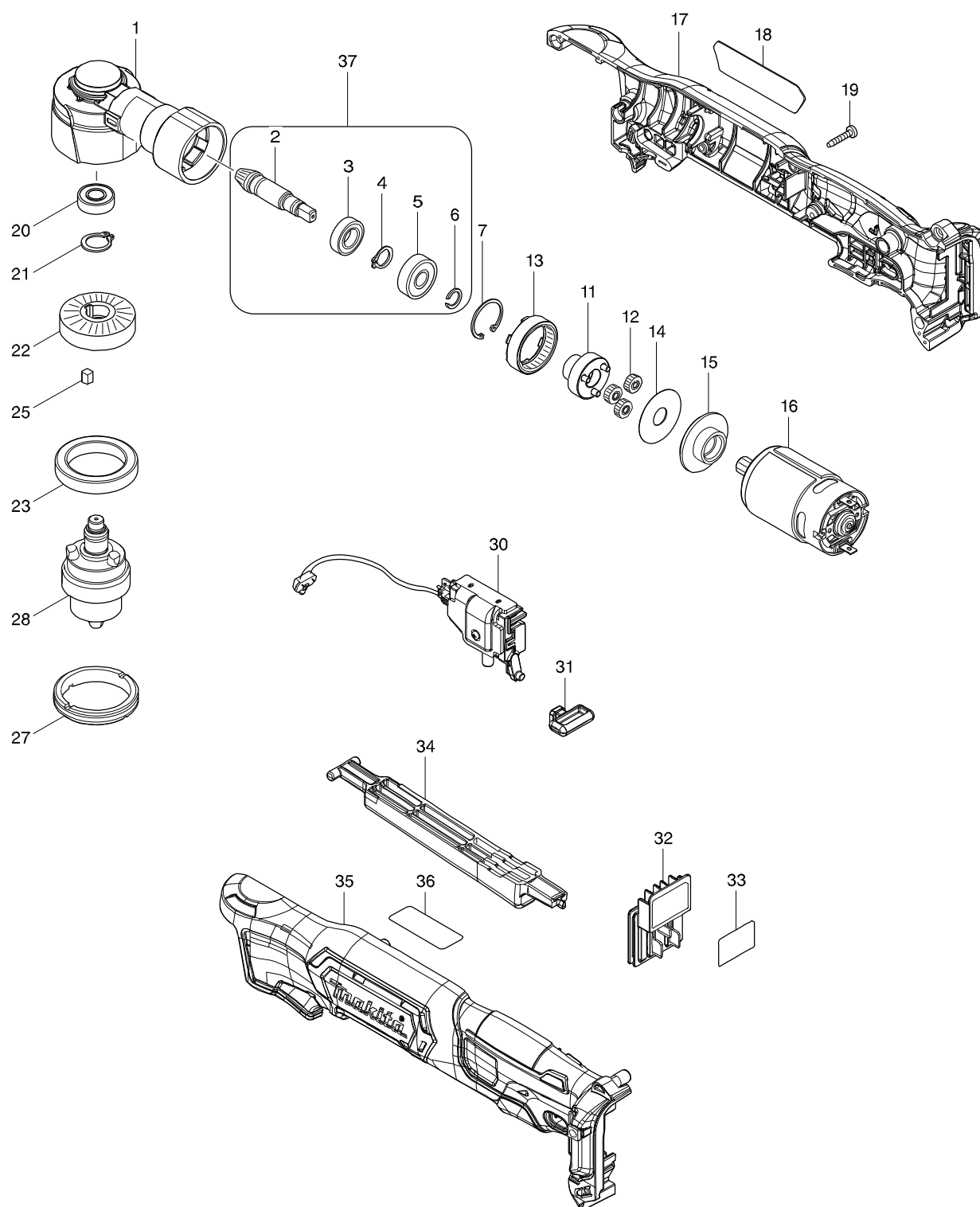


# Číslo typu DA332D 10MM CORDLESS ANGLE DRILL



Položka	Číslo dílu	Popis	Změn	Množstv	N/O	Možnost 1	Možnost 2	Poznámka
001	319634-1	GEAR HOUSING		1				
002	221570-8	SPIRAL BEVEL GEAR 6		1	*			
002-1	226195-3	SPIRAL BEVEL GEAR 6	S	1				
003	210171-7	BALL BEARING 6800ZZ		1				
004	961006-2	segrovka S-10		1				
005	210029-0	BALL BEARING 608ZZ		1				
006	961034-7	zajišťovací kroužek HR2810T		1				
007	962102-9	pojistný kroužek R-22 BFL300F-400F		1				
011	144701-1	CARRIER COMPLETE		1				
012	221572-4	SPUR GEAR 17		3				
013	221569-3	INTERNAL GEAR 48		1				
014	253396-0	FLAT WASHER 10		1				
015	457972-4	MOTOR BRACKET		1				
016	629291-0	DC MOTOR		1				
017	183H38-9	HOUSING SET		1				
C10	252126-6	HEX. LOCKING NUT M4-7		2				
D10		INC. 35						
018	853T57-8	DA332D NAME PLATE		1				
019	266130-9	šroub PT 3X		9				
020	211166-3	BALL BEARING 698DDW		1				
021	961052-5	segrovka vnější S-12		1				
022	227601-1	SPIRAL BEVEL GEAR 31		1				
023	211423-9	BALL BEARING 6806DDW		1				
025	254201-4	klín 4 8419B/DA3010F/11F/BDA		1				
027	285842-5	aret. matice sklíčidla DA3010F		1				
028	763245-8	DRILL CHUCK S10		1				
030	651097-8	SWITCH C3HW-3A-PLF5MS-W		1				
031	450126-2	FR CHANGE LEVER		1				
032	644813-5	TERMINAL		1				
033	853T61-7	DA332D SERIAL NO. LABEL		1				
034	457973-2	SWITCH LEVER		1				
035	183H38-9	HOUSING SET		1				
C10	252126-6	HEX. LOCKING NUT M4-7		2				
D10		INC. 17						
037	135922-6	GEAR ASSEMBLY		1	*			
D10		INC. 2-6			*			
037-1	135922-6	GEAR ASSEMBLY	O	1	*			
D10		INC. 2-6,38			*			
037-2	135977-1		O	1				
D10		INC. 2-6						
038	253310-6	podložka 10		1	*			
A01	784244-7	+ BIT 2-50		1				
A02	346909-5	HOOK		1				
A03	251314-2	028078		2				
A04	763450-7	CHUCK KEY S10		1				
A05	457974-0	KEY HOLDER		1				
A06B	***DC10SA	DC10SA BATTERY CHARGER		1	*			
A06-1B	***DC10SB	DC10SB BATTERY CHARGER	<	1				

Položka	Číslo dílu	Popis	Změn	Množstv	N/O	Možnost 1	Možnost 2	Poznámka
A07B	197394-3	BATTERY BL1020B SET		2	*			
A07-1B	197396-9	BATTERY BL1021B SET	<	2				
A08B	456128-6	BATTERY COVER		1				
A09B	821549-5	systemainer Makpac 395x295x105mm		1				
C10	453974-8	LATCH		4				
A10B	813X25-7	DA332DSAJ INDICATION LABEL		1	*			
A10-1B	813X24-9	DA332DSAJ INDICATION LABEL	<	1				
A11B	813X26-5	DA332DSAJ PLASTIC CASE LABEL		2				
A12B	839304-1	INNER TRAY		1				