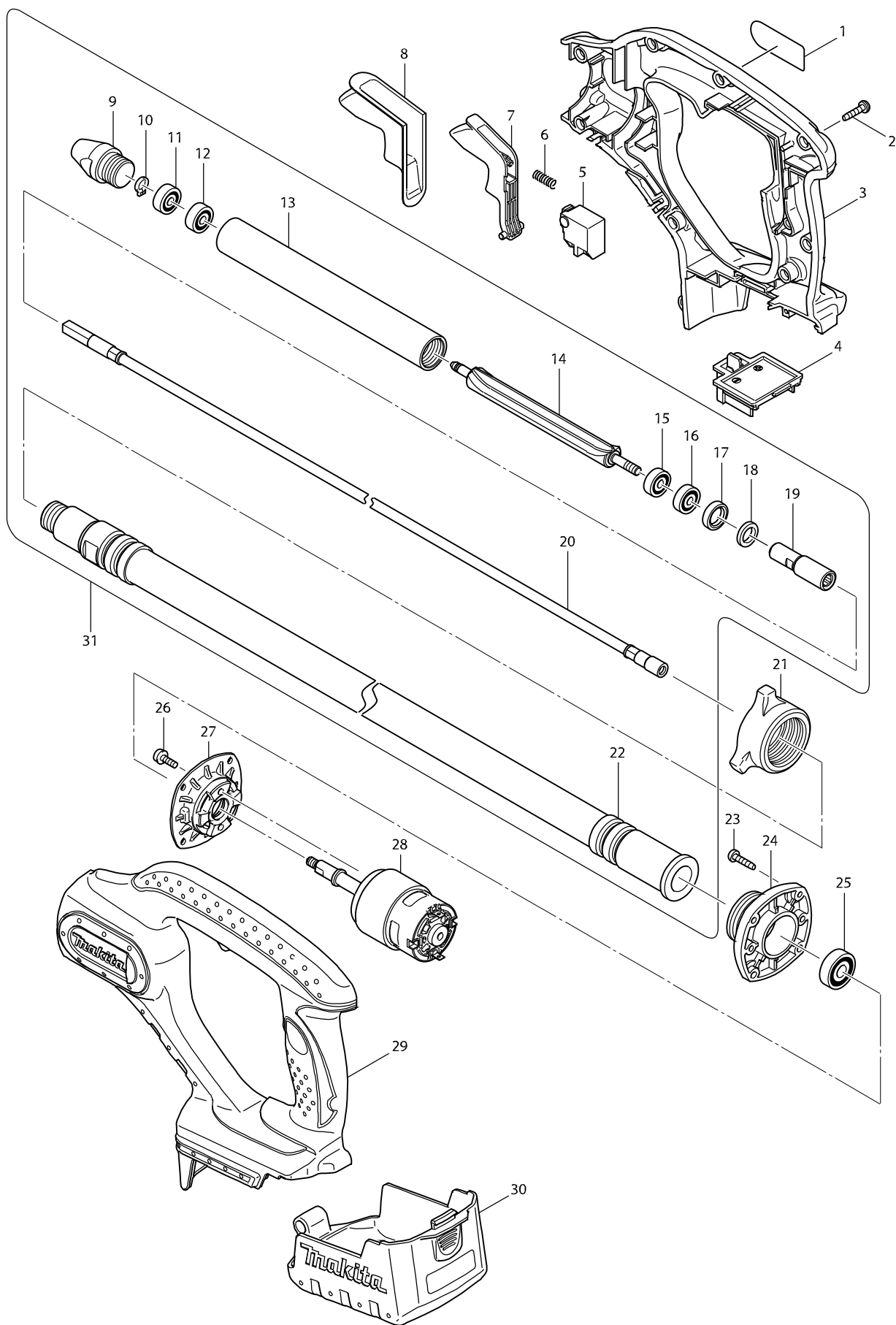


Číslo typu DVR450 CORDLESS CONCRETE VIBRATOR



Položka	Číslo dílu	Popis	Změn	Množstv	N/O	Možnost 1	Možnost 2	Poznámka
001	850D48-4	DVR450 NAME PLATE		1				
002	266045-0	šroub 4x22 old 265999-8		9				
003	187867-4	HOUSING SET		1				
D10		INC. 29						
004	643843-3	kontakty		1				
005	650580-2	SWITCH SGE120C-4		1				
006	231298-0	vínutá pružina 6 HM1500		1				
007	419511-8	SWITCH LEVER		1				
008	421961-5	WATERPROOF COVER		1				
009	322935-8	hlava VR250DWA		1				
010	961002-0	segrovka S-6s		1				
011	210018-5	BALL BEARING 626		1				
012	210018-5	BALL BEARING 626		1				
013	331503-6	pouzdro VR250DWA		1				
014	322934-0	excentr VR250DWA		1				
015	211016-2	kuličkové ložisko 626LLB		1				
016	211016-2	kuličkové ložisko 626LLB		1				
017	421578-4	kroužek VR250DWA		1				
018	443101-5	kroužek VR250DWA		1				
019	326203-1	JOINT		1				
020	163534-5	FLEXIBLE WIRE		1				
021	416244-6	matice VR250DWA		1				
022	163537-9	FLEXIBLE HOSE		1				
023	266045-0	šroub 4x22 old 265999-8		4				
024	316893-8	ložisková skříň VR250DWA		1				
025	211056-0	BALL BEARING 629LLB		1				
026	911118-1	šroub M4x12		2				
027	318867-5	SUPPORTER		1				
028	629947-5	DC MOTOR		1				
029	187867-4	HOUSING SET		1				
D10		INC. 3						
030	158051-8	COVER COMPLETE		1				
C10	810196-7	CAUTION LABEL		1				
031	126206-3	FLEXIBLE ASSEMBLY		1				
D10		INC. 9-20,22						
A01C	***DC18RC	DC18RC FAST CHARGER		1				
A01D	***DC18RC	DC18RC FAST CHARGER		1				
A01F	***DC18RC	DC18RC FAST CHARGER		1				
A02C	194204-5	baterie BL1830 18V/3,0Ah Li-ion		2	*			
A02-1C	194204-5	baterie BL1830 18V/3,0Ah Li-ion	O	2	*			
A02-1D	196399-0	BATTERY BL1840 SET		2	*			
A02-1F	197280-8	BATTERY BL1850B SET		2				
A02-2C	197600-6	BATTERY BL1830B SET	<	2				
A02-2D	197265-4	BATTERY BL1840B SET	<	2				
A03C	141481-0	PLASTIC CARRYING CASE		1				
C10	417383-5	LATCH		2				
A03D	141481-0	PLASTIC CARRYING CASE		1				
C10	417383-5	LATCH		2				

