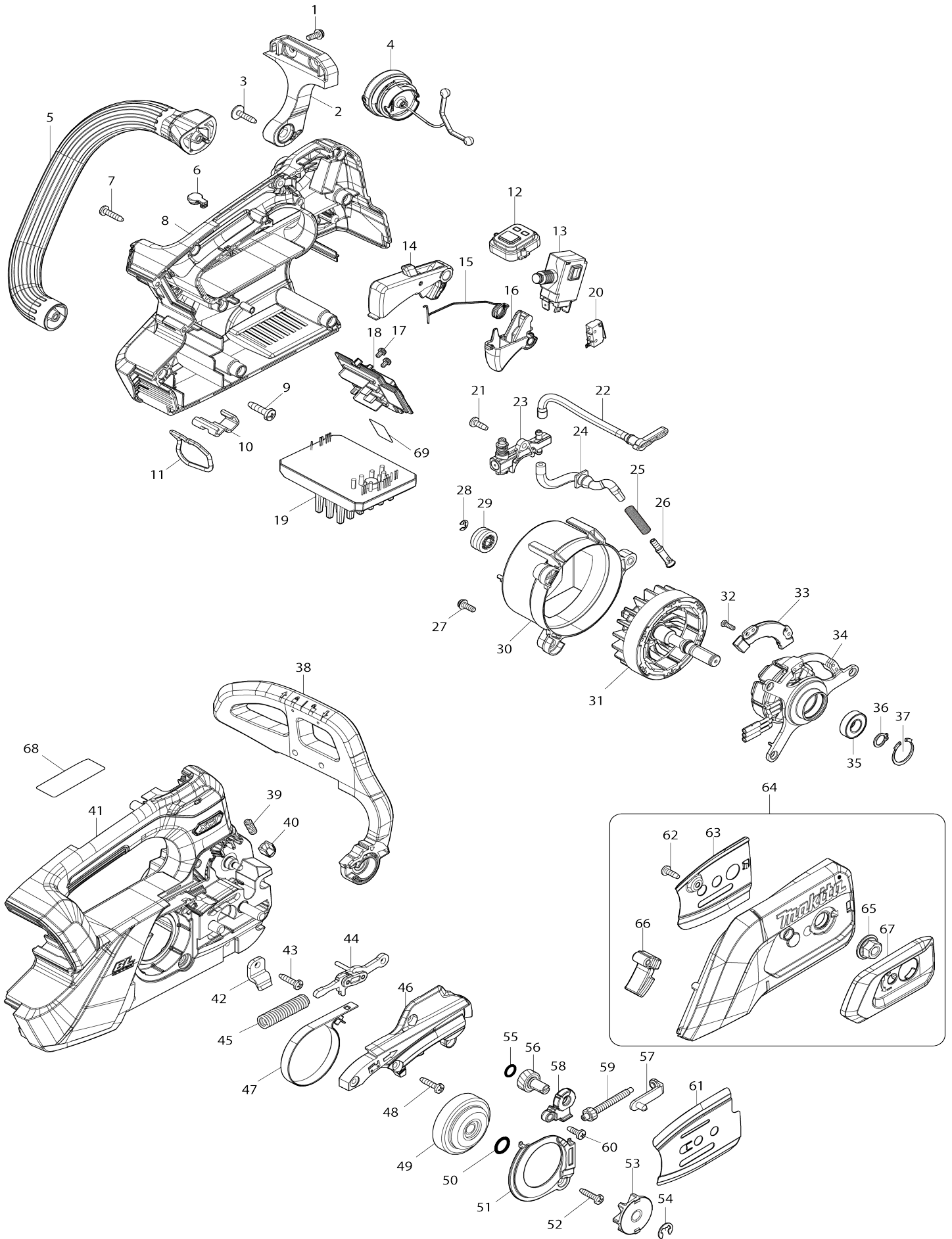


Model No. UC031G Cordless Chain Saw



Model No.UC031G Cordless Chain Saw

Obj. č.	Obj. č.	Popis	Možnost záměny	Množství	Nový/Stary	Poznámka 1	Poznámka 2
001	911118-1	šroub M4x12		2			
002	4133T1-1	Front hand guard retainer		1		dr	
003	265620-9	Flange tapping screw 4X18		1			
004	122K21-9	Tank cap assembly		1		v	
C10	213A77-4	O-ring 29.5		1		O-krou	
005	4133S9-8	Side handle		1		bo	
006	422467-6	Cap		1		v	
007	266326-2	šroub 4x18=new265995-6		8			
008	1831T0-2	Housing set		1		d	
C10	263005-3	vymezovací čep 6		2			
C20	8093B2-3	Caution label		1			
008		INC. 6,41					
009	266420-0	Binding head tapping screw 5X20		2			
010	347E26-4	Hook support		1		dr	
011	327F97-3	Hook		1		h	
012	620S35-5	Switch circuit		1		sp	
013	650011-1	Switch C3JR-4BM-PAND3		1		sp	
014	1413D6-6	Lock off lever complete		1		p	
015	232867-0	Torsion spring 10		1			
016	459282-5	Switch lever		1			
017	652031-1	Pan head screw M3X6		2			
018	632T07-4	Terminal unit		1		koncov	
019	620S34-7	Controller		1		ovl	
020	632L94-5	Switch unit		1		vyp	
021	266427-6	Binding head tapping screw 4X12		1			
022	422D01-6	Oil tube 3-106		1		olejov	
023	142156-4	Oil pump complete		1		olejov	
024	422D02-4	Oil tube 3-56		1		olejov	
025	231975-4	pružina DCS230T/UC3020A=old021245060		1		pru	
026	452666-6	Nipple		1			
027	911118-1	šroub M4x12		3			
028	961011-9	zajišťovací kroužek		1		zaji	
029	226884-0	Worm gear		1		ozuben	
030	4133S8-0	Motor cover		1		kryt motoru	
031	619919-8	Rotor		1		rotor	
032	265C89-5	Flat head screw M3X10		2	*		
032-1	265F08-9	Flat head screw M3X10	O	2			
033	620S36-3	Controller B		1		ovl	
034	1412F4-8	Stator complete A		1		stator	
035	210258-5	Ball bearing 6900DDW		1		kuli	
036	961006-2	segrovka S-10		1		segrovka S-10= old. 257408-1	
037	962112-6	pojistný kroužek R-22 BFL080F-B FL200F		1		pojistn	
038	4133T0-3	Front hand guard		1		chr	
039	232453-7	Compression spring 3		1		pru	
040	313672-5	Hand guard guide		1		veden	

041	1831T0-2	Housing set		1		d	
C10	263005-3	vymezovací čep 6		2			
C20	8093B2-3	Caution label		1			
041		INC. 6,8					
042	347373-3	Chain catcher		1		dr	
043	266326-2	šroub 4x18=new265995-6		1			
044	1412B7-4	Link plate complete		1		deska	
045	232452-9	Compression spring 7		1		pru	
046	4133T4-5	Housing R cover A		1		kryt	
047	347E27-2	Brake band		1	*	brzdov	
047-1	347F39-1	Brake band	<	1			
048	266326-2	šroub 4x18=new265995-6		4			
049	162E19-8	Brake drum complete		1	*	bub	
049-1	162E85-5	Brake drum complete	<	1			
050	213060-5	O-ring 10		1		o-krou	
051	4133T6-1	Housing R cover B		1		kryt	
052	266326-2	šroub 4x18=new265995-6		1			
053	1916N6-4	Sprocket 7 set		1			
054	961013-5	zajišťovací kroužek		1		zaji	
055	213594-8	O-ring 7		1		o-krou	
056	227C48-7	Helical gear 18		1		ozuben	
057	347E30-3	Tension slide		1		nap	
058	4130H2-7	Gear cover		1			
059	227C47-9	Helical gear 11		1		ozuben	
060	266427-6	Binding head tapping screw 4X1 2		1			
061	347E28-0	Guide plate L		1		deska	
062	266427-6	Binding head tapping screw 4X1 2		1			
063	347E29-8	Guide plate R		1			
064	137376-3	Sprocket cover assembly		1		kryt	
064		INC. 62,63,65-67					
065	162494-8	Flange nut complete		1		matka	
066	422310-9	Chip guide		1		veden	
067	4133T5-3	Nut cover		1			
068	8152U1-2	Name plate UC031G		1			
069	8152U3-8	Serial No. label UC031G		1			
A01	191T85-8	Guide bar 10 set		1			
A02	413X66-9	Guide bar case 280		1			
A03	191T89-0	Saw chain 10 set		1			
A04	782023-7	Wrench 13-16		1	*		
A04-1	782042-3	Box wrench 13	O	1			
E01	804G74-3	Sound 104dB label		1			
F02-1	1911A1-3	Guide bar 10 set	<	1			
F05	191T85-8	Guide bar 10 set		1			
F06	191T86-6	Guide bar 12 set		1			
F07	191T89-0	Saw chain 10 set		1			
F08	191T90-5	Saw chain 12 set		1			
F11	1916N6-4	Sprocket 7 set		1			
F12	1916N7-2	Sprocket 6 set		1			
F13	1917P5-6	Spike bumper set		1			

Prosím uveďte objednáčíslo dílu v objednávce

Datum tisku 15. 05. 2026