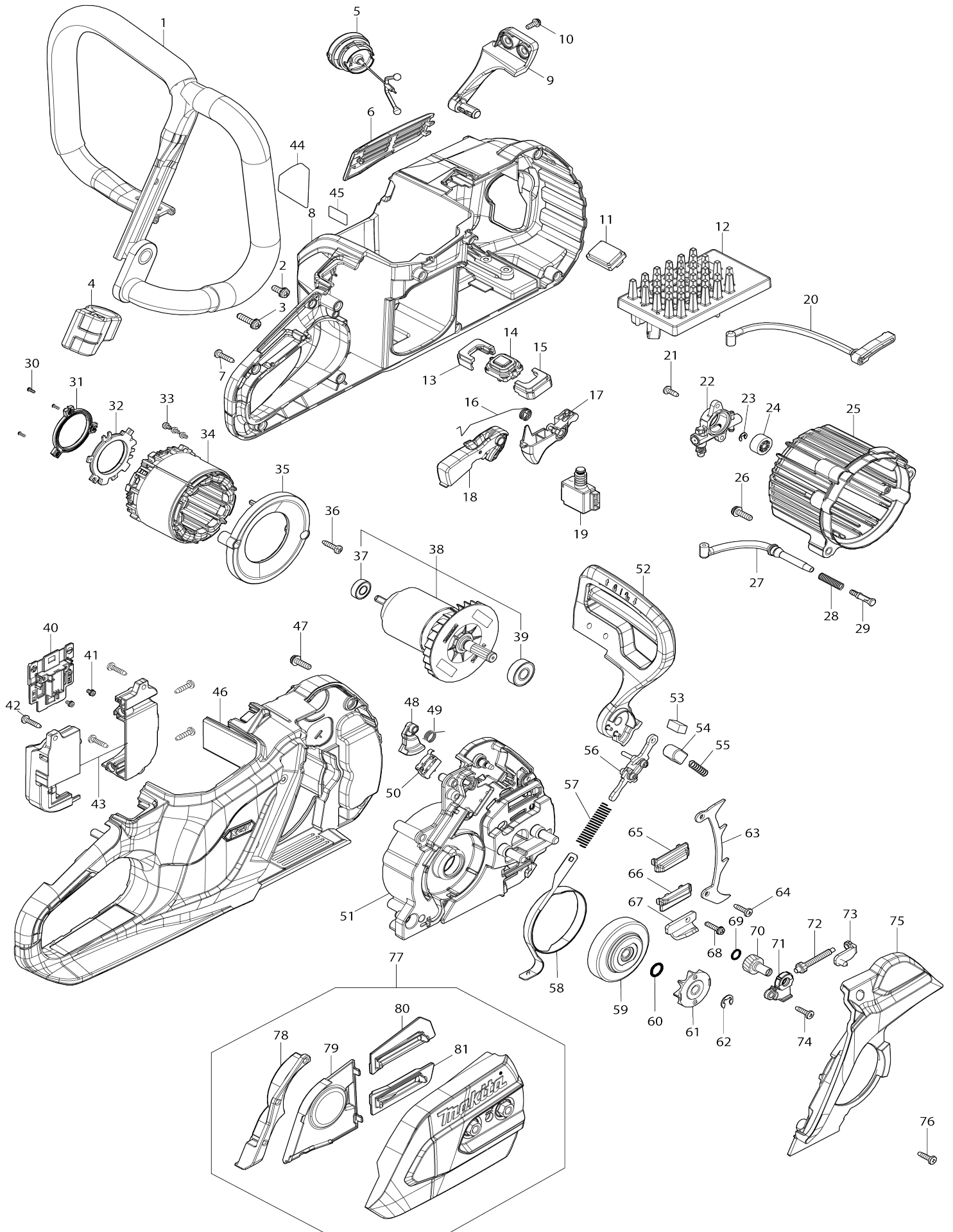


Model No. UC033G Cordless Chain Saw



Model No.UC033G Cordless Chain Saw

Obj. č.	Obj. č.	Popis	Možn ost zá měny	Množ ství	Nový/ Starý	Poznámka 1	Poznámka 2
001	327G77-5	Front handle		1		p	
002	911218-7	Pan Head Screw M5x14=new922 217-4		3			
003	911238-1	Pan head screw M5X22 WR		1			
004	1413N0-8	Tool holder complete		1		dr	
005	122K21-9	Tank cap assembly		1		v	
C10	213A77-4	O-ring 29.5		1		O-krou	
006	4133J6-1	Dust cover		1		protiprachov	
007	266326-2	šroub 4x18=new265995-6		9			
008	1831N9-2	Housing set		1		pouzdro	
C10	8091S4-6	Caution label		1		samolepka - upozorn	
008		INC. 46					
009	4133G1-0	Front hand guard retainer		1		chr	
010	911118-1	šroub M4x12		2			
011	620T53-9	Indication circuit		1		displej s elektronikou	
012	620T51-3	Controller		1		elektronika	
013	1832K6-3	SPACER SET		1		pouzdro	
013		INC. 15					
014	620T52-1	Switch circuit		1		okruh vyp	
015	1832K6-3	SPACER SET		1		pouzdro	
015		INC. 13					
016	232850-7	Torsion spring 10		1		pru	
017	413C93-0	Switch lever		1		p	
018	141V01-2	Lock off lever complete		1		p	
019	650049-6	Switch C3JR-1A-PAXD5		1		vyp	
020	422C81-6	Oil tube 3-154		1		olejov	
021	266427-6	Binding head tapping screw 4X1 2		2			
022	142857-4	Oil pump complete		1			
023	961011-9	zajišťovací kroužek		1		zaji	
024	226884-0	Worm gear		1		ozuben	
025	4133F9-7	Motor housing		1		sk	
026	911228-4	šroub M5x18		3			
027	422C80-8	Oil tube 3-117		1		olejov	
028	231975-4	pružina DCS230T/UC3020A=old0 21245060		1		pru	
029	452666-6	Nipple		1			
030	266490-9	Pan head tapping screw 2X6		3			
031	687H54-8	Stopper		1		doraz	
032	620P43-8	Controller B		1		ovl	
033	652031-1	Pan head screw M3X6		3			
034	629D24-7	Stator		1		stator	
035	4133G3-6	Baffle plate		1		deska	
036	266326-2	šroub 4x18=new265995-6		2			
037	210311-7	Ball bearing 698ZZ		1		lo	
038	519941-4	ROTOR ASS'Y		1		rotor	
038		INC. 37,39					
039	210274-7	Ball bearing 6000DDW		1			
040	632V23-8	Terminal unit		1		koncov	

041	652031-1	Pan head screw M3X6		2		
042	266326-2	šroub 4x18=new265995-6		5		
043	1830H3-6	Terminal box set		1		svorkovnice
C10	263005-3	vymezovací čep 6		2		
044	8155N2-9	UC033G NAME PLATE		1		
045	8155N4-5	UC033G SERIAL NO. LABEL		1		
046	1831N9-2	Housing set		1		pouzdro
C10	8091S4-6	Caution label		1		samolepka - upozorn
046		INC. 8				
047	911228-4	šroub M5x18		4		
048	4133G8-6	Switch lever		1		p
049	232956-1	Torsion spring 10		1		pru
050	650057-7	Switch D2SW-P01L30-3M-C2(S)		1		sp
051	137422-2	HOUSING BASE ASSEMBLY		1		t
C10	263002-9	vymezovací čep 4		1		
052	4133G0-2	Front hand guard		1		p
053	422D22-8	Dust seal		1		t
054	313667-8	Hand guard guide		1		vod
055	232955-3	Compression spring 5		1		pru
056	1411X1-4	Link plate complete		1		deska
057	232452-9	Compression spring 7		1		pru
058	347E17-5	Brake band complete		1		kompletn
059	162E14-8	Brake drum		1		brzdov
060	213060-5	O-ring 10		1		o-krou
061	227C36-4	Sprocket 8		1		ozuben
062	961013-5	zajišťovací kroužek		1		zaji
063	347E15-9	Spike bumper		1		ozub
064	266034-5	šroub = old 933417		1		
065	4133H5-9	Guard A		1		kryt a
066	4133H4-1	Guard B		1		kryt b
067	347924-2	Chain catcher		1		kryt
068	911133-5	šroub M4x18		1		
069	213594-8	O-ring 7		1		o-krou
070	227744-9	Helical gear 18		1		kolo=old 226693-7 1 85213250 18121325 0 EA3500S EA4300F E A2136 PS32C PS35C PS420SC PS6100H
071	4133G5-2	Gear cover		1		kryt p
072	227743-1	Helical gear 11		1		nap
073	347E16-7	Tension slide		1		nap
074	266034-5	šroub = old 933417		1		
075	4133H0-9	Brake cover		1		kryt brzdy
076	266034-5	šroub = old 933417		4		
077	137428-0	SPROCKET COVER ASS'Y		1		bo
077		INC. 78-81				
078	422C82-4	Chip guide		1		veden
079	4133G9-4	Inner cover		1		vnit
080	4133G6-0	Guard C		1		kryt C
081	4133G7-8	Guard D		1		kryt D
A01	782042-3	Box wrench 13		1		
E01	805U48-1	Sound 111dB label		1		
F01	1915Y7-3	Guide bar 16 set		1		

F02	1915Y8-1	Guide bar 18 set		1			
F03	1915Y9-9	Guide bar 20 set		1			
F04	1916A0-5	Guide bar 20 set		1			
F05	1916A1-3	Saw chain 16 set		1			
F06	1916A2-1	Saw chain 18 set		1			
F07	1916A3-9	Saw chain 20 set		1			
F08	1916A4-7	Saw chain 20 set		1			
F09	1916A5-5	Sprocket 8 set		1			
F10	1916J8-2	Guide bar 20 set		1			
F11	1916K0-5	Saw chain 20 set		1			
F12	1916K2-1	Depth limiter assembly set		1			
F13	1916K3-9	Guide bar case 535 set		1			
F14	195093-1	Chain oil set		1			
F16	199897-3	Oil vessel set		1			
F20	1918T6-8	SAW CHAIN 20 SET		1			

Prosím uveďte objednáč í číslo dílu v objednávce

Datum tisku 14. 05. 2026