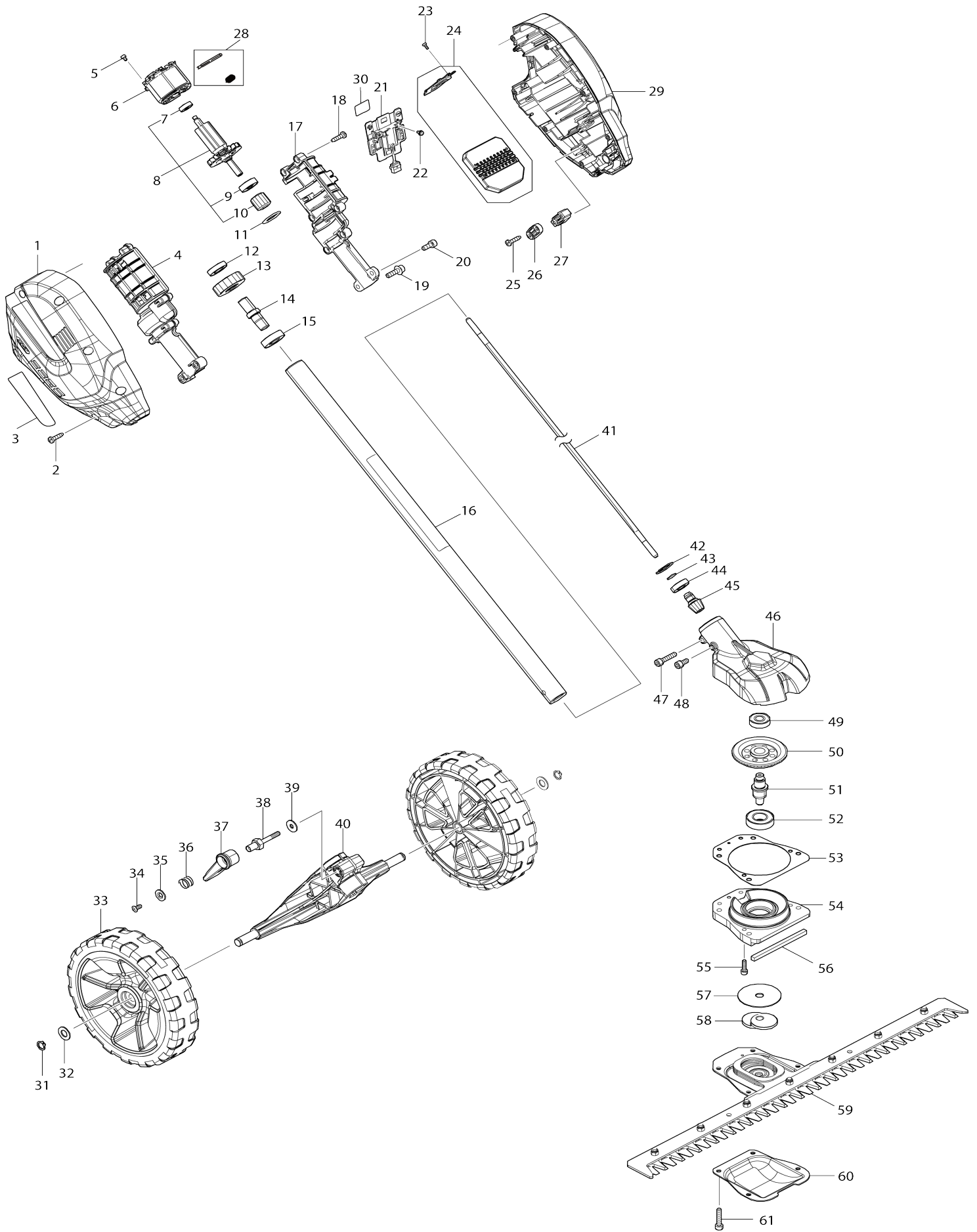
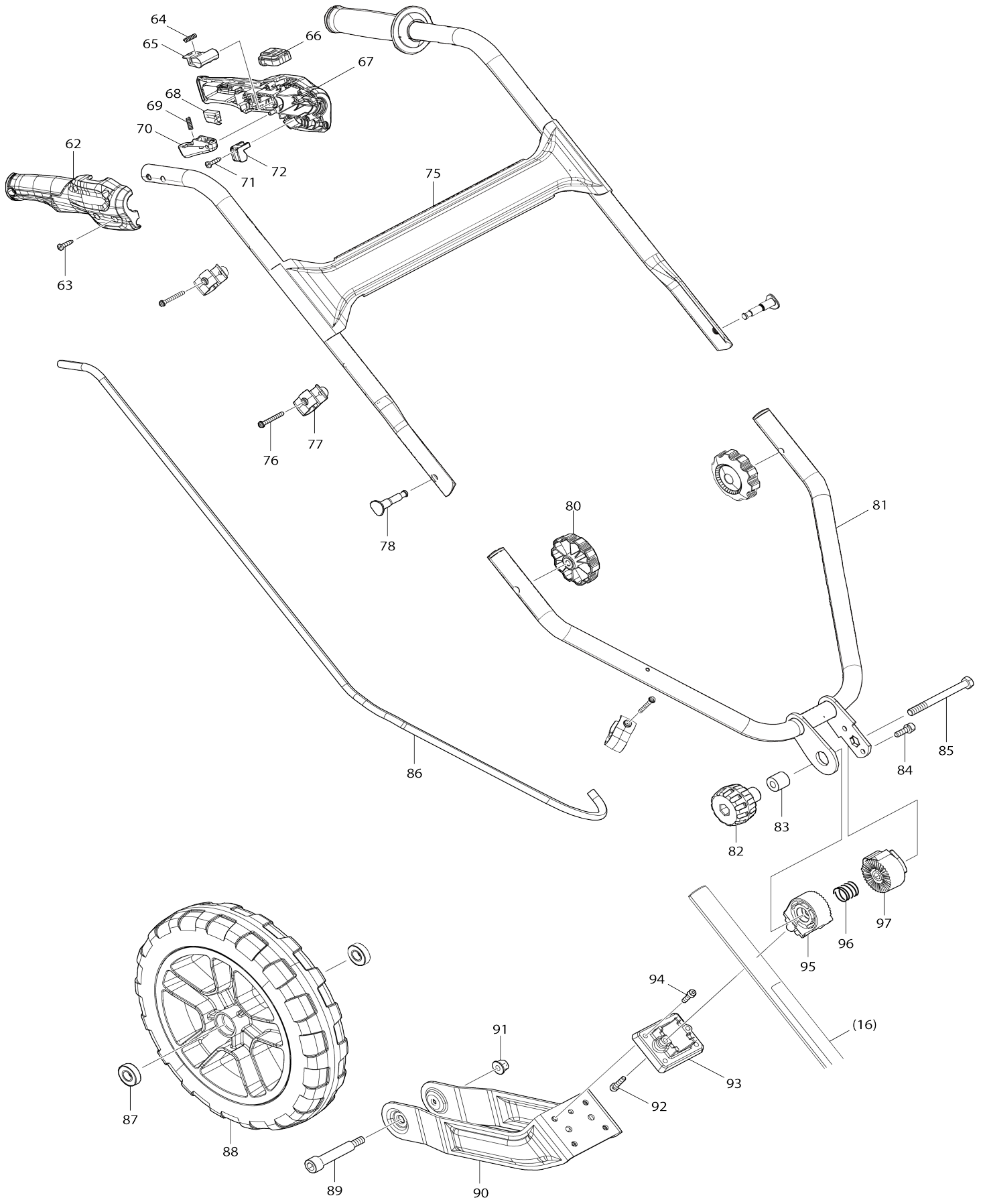


Model No.UG001G Cordless Ground Trimmer



Model No.UG001G Cordless Ground Trimmer



Model No.UG001G Cordless Ground Trimmer

Obj. č.	Obj. č.	Popis	Možnost záměny	Množství	Nový/Stary	Poznámka 1	Poznámka 2
001	1832G2-3	HOUSING SET		1		obal	
C10	263005-3	vymezovací čep 6		2			
001		INC. 29					
002	266326-2	šroub 4x18=new265995-6		7			
003	8155B8-3	UG001G NAME PLATE		1			
004	183X80-6	Motor housing set		1		obal motoru UR016G UR017G	
004		INC. 17					
005	652069-6	Flat head screw M3X6		3			
006	629340-3	Stator		1		stator DHR280 DHR2 81 DHR282 DHR283	
007	210235-7	Ball bearing 625ZZ		1		lo	
008	519940-6	ROTOR ASS'Y		1		rotor	
008		INC. 7,9,10					
009	210236-5	Ball bearing 627ZZ		1		lo	
010	227A68-9	Helical gear 16		1		ozuben	
011	213925-1	O-ring 21		1		O krou	
012	210243-8	Ball bearing 6901ZZ		1		lo	
013	227848-7	Helical gear 33		1		ozuben	
014	327719-9	Spindle hub		1		d	
015	210244-6	Ball bearing 6001ZZ		1		lo	
016	1413D3-2	Shaft pipe complete A		1		kompletn	
C10	8098V2-3	CAUTION LABEL		1		v	
017	183X80-6	Motor housing set		1		obal motoru UR016G UR017G	
017		INC. 4					
018	266326-2	šroub 4x18=new265995-6		6			
019	922234-4	Hex. socket head bolt M5X20 WG		2			
020	922216-6	imbus M5x14		1		imbus M5x14	
021	632W79-7	Terminal unit		1			
022	652031-1	Pan head screw M3X6		2			
023	266490-9	Pan head tapping screw 2X6		3			
024	620T54-7	Controller		1		ovl	
025	266326-2	šroub 4x18=new265995-6		2			
026	687123-7	spona kabelu MT601		1		podlo	
027	687051-6	svorka kabelu - nahrazuje 261041		1		svorka kabelu - nahrazuje 261041	
028	632R79-7	Lead unit		1		elektronika	
029	1832G2-3	HOUSING SET		1		obal	
C10	263005-3	vymezovací čep 6		2			
029		INC. 1					
030	8155C2-2	UG001G SERIAL NO. LABEL		1			
031	961006-2	segrovka S-10		2		segrovka S-10= old. 2 57408-1	
032	253828-7	podložka 10		2		podlo	
033	4135D5-3	Wheel 180		2		kolo 180	
034	265135-6	Countersunk head screw M4X10		1			
035	347577-7	Washer 6		1		podlo	
036	234347-2	Compression spring 11		1		pru	
037	271477-8	Lever 53		1		p	

038	265E61-9	Hex. head bolt M5X32		1		
039	253047-5	Flat washer 6		1		podlo
040	4133U0-0	Wheel holder 300		1		dr
041	327G55-5	Shaft A		1		h
042	962102-9	pojistný kroužek R-22 BFL300F-4 00F		1		pojistn
043	961036-3	segrovka WR-10		1		segrovka WR-10
044	210167-8	Ball bearing 6900LLB		1		lo
045	227A88-3	Spiral bevel gear 11		1		ozuben
046	141S15-3	Gear housing complete		1		obal stroje EN424MP
047	922241-7	Hex. socket head bolt M5X25 W		1		
048	922211-6	Hex. socket head bolt M5X12 W		1		
049	211493-8	Ball bearing 609DDW		1		
050	227A89-1	Spiral bevel gear 52		1		ozuben
051	327C06-4	Spindle		1		v
052	211247-3	Ball bearing 6002DDW		1		
053	422A36-9	Gasket		1		t
054	141S16-1	Gear housing cover complete		1		kryt p
055	922126-7	imbus M4x16 = old 924417		4		imbus M4x16 = old 9 24417 STOP
056	422A37-7	Dust guard		1		prachov
057	347B34-7	Friction plate U		1		deska
058	327C07-2	Crank		1		h
059	1916X3-0	Shear blade 500 set		1		sada st
C10	252331-5	Hex. lock nut M5-8		7		matka
C20	257A04-1	Sleeve 5		7		pouzdro 5
C30	257A05-9	Ring 8		7		krou
C40	265E60-1	Truss head screw M5X16		7		
C50	199450-5	Grease vessel set		1		
060	347B49-4	Under plate		1		dr
061	265D17-6	Hex. socket head bolt M5X25		4		
062	1832G3-1	GRIP SET		1		rukoje
C10	263005-3	vymezovací čep 6		1		
062		INC. 67				
063	266326-2	šroub 4x18=new265995-6		5		
064	231473-8	Compression Spring 4		1		231473-8 Compres sion Spring 4=new23 4079-1
065	4135D7-9	Lock off button		1		pojistn
066	620T84-8	Switch circuit		1		tla
067	1832G3-1	GRIP SET		1		rukoje
C10	263005-3	vymezovací čep 6		1		
067		INC. 62				
068	632X03-6	Switch unit		1		vyp
069	231473-8	Compression Spring 4		1		231473-8 Compres sion Spring 4=new23 4079-1
070	4135D4-5	Switch lever		1		p
071	266326-2	šroub 4x18=new265995-6		1		
072	687260-7	držák kabelu GA5020/6020/HR22 30		1		dr
075	137466-2	HANDLE 22 UPPER ASS'Y		1		dr
076	911163-6	Pan head screw M4X35 WR		3		

077	413944-9	Clamp		3		
078	265F13-6	Flat head bolt M8X50		2		
080	265C06-5	Thumb nut M8		2		matice
081	137426-4	HANDLE 22 LOWER ASS'Y		1		dr
082	252640-2	matice rukojeti M8		1		matice rukojeti M8
083	257A72-4	Sleeve 8		1		obj
084	922331-6	imbus M6x20=new265551-2		2		927620 imbus M6 x20=new265551-2
085	266745-2	Hex. head bolt M8X90		1		
086	699260-5	Power supply cord unit		1		kabel
087	210341-8	Ball bearing 6001LLU		2		kuli
088	1413D1-6	Tire 300 complete		1		pneumatika
089	265E95-2	Hex. head shoulder bolt M8		1		
090	347E91-3	Fork		1		vidlice
091	252364-0	Collared hex. lock nut M8-13		1		matka
092	922241-7	Hex. socket head bolt M5X25 W		2		
093	312J96-2	Handle holder		1		dr
094	922231-0	Hex. socket head bolt M5X20 W		4		
095	312J97-0	Handle holder cam		1		dr
096	233309-7	pružina upínání HM1304		1		pru
097	312J98-8	Handle cam		1		dr
A01	4133V1-5	Blade cover 500		1		
A02	422A15-7	Cap 24		1		
A03	424434-7	Cap 24		1		kryt
A04	783202-0	klíč inbus 4		1		kl
F01	1912V6-6	Shear blade 330 set		1		
F02	1916X3-0	Shear blade 500 set		1		sada st

Prosím uveďte objednáč. číslo dílu v objednávce

Datum tisku 14. 05. 2026