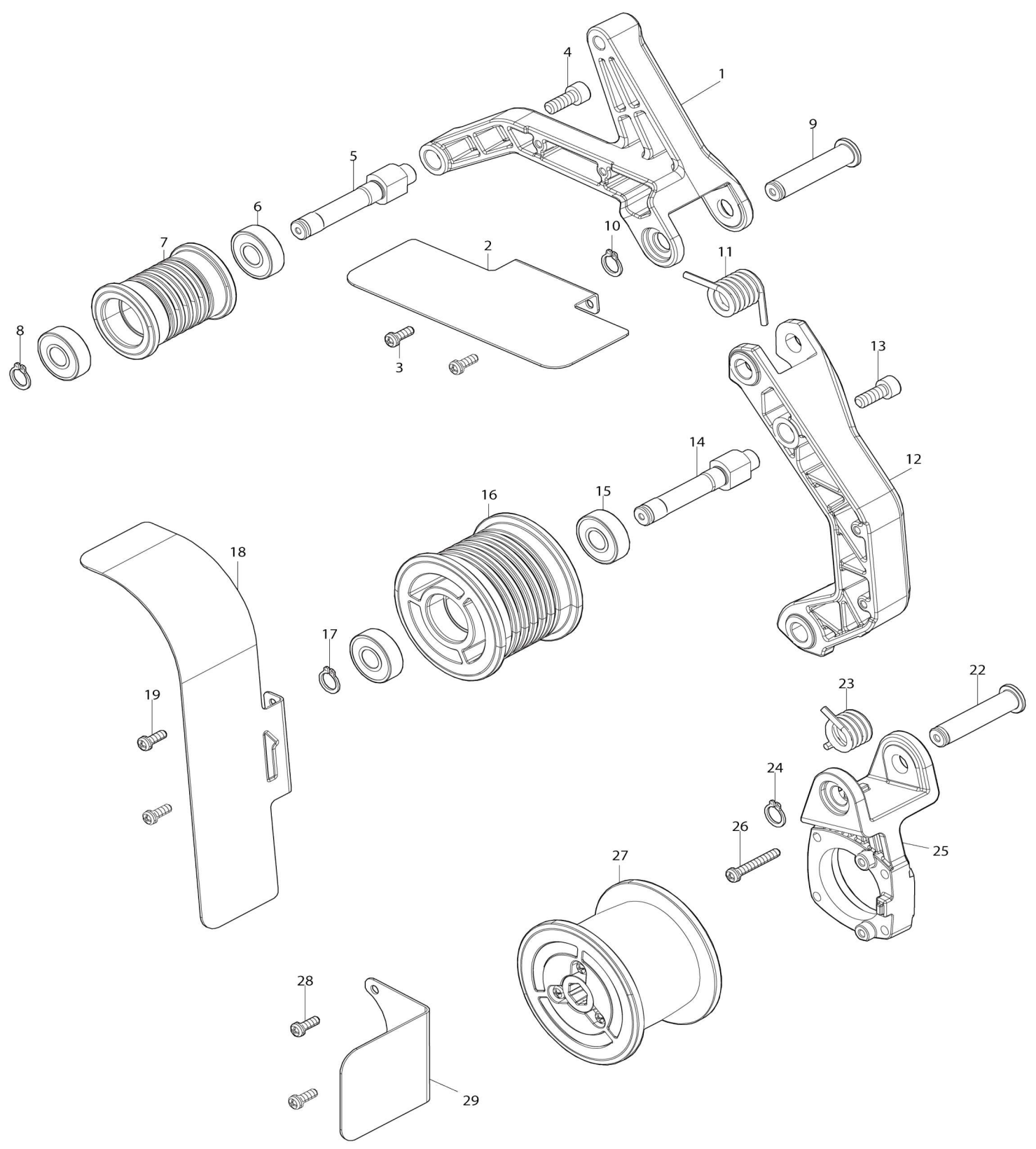
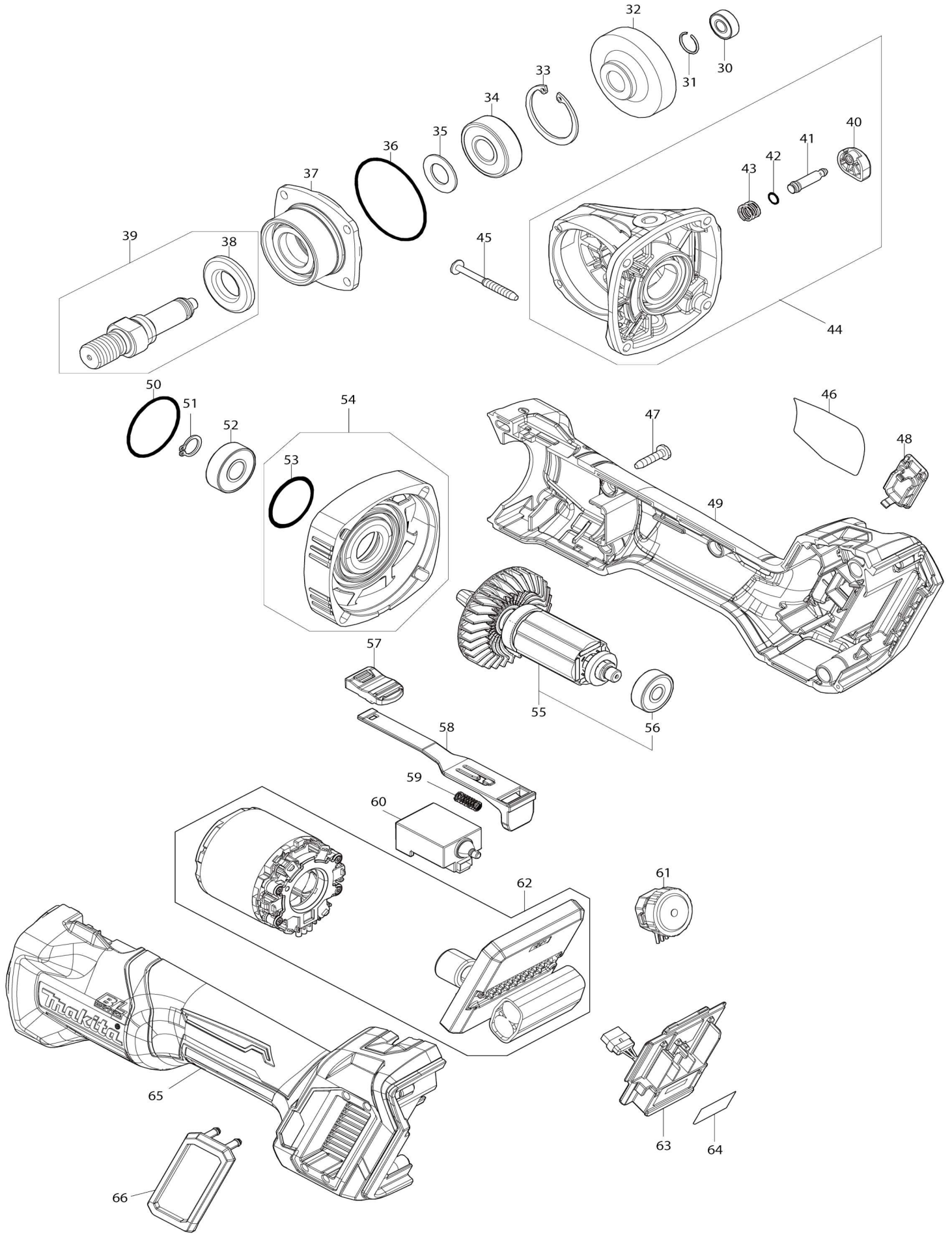


Model No.BS002G Cordless Pipe Belt Sander



Model No.BS002G Cordless Pipe Belt Sander



Model No.BS002G Cordless Pipe Belt Sander

Obj. č.	Obj. č.	Popis	Možn ost zá měny	Množ ství	Nový/ Starý	Poznámka 1	Poznámka 2
001	312H83-9	Arm B		1		rameno	
002	347D55-1	Safety cover C		1		bezpe	
003	911116-5	šroub M4x12		2			
004	265A36-4	Hex. socket head bolt M6X16		1			
005	327E84-6	Roller shaft		1		h	
006	210332-9	Ball bearing 6000DDW		2		lo	
007	4132D2-1	Guide roller A		1		vod	
008	961006-2	segrovka S-10		1		segrovka S-10= old. 2 57408-1	
009	256A99-1	Shoulder pin 10		1			
010	961006-2	segrovka S-10		1		segrovka S-10= old. 2 57408-1	
011	232928-6	Torsion spring 12B		1		pru	
012	1413R8-0	Arm A complete		1		rameno	
C10	422C21-4	Felt A		1			
013	265A36-4	Hex. socket head bolt M6X16		1			
014	327E84-6	Roller shaft		1		h	
015	210332-9	Ball bearing 6000DDW		2		lo	
016	4132D3-9	Guide roller B		1		vod	
017	961006-2	segrovka S-10		1		segrovka S-10= old. 2 57408-1	
018	347D54-3	Safety cover B		1		kryt	
019	911116-5	šroub M4x12		2			
022	256A99-1	Shoulder pin 10		1			
023	232927-8	Torsion spring 12A		1		pru	
024	961006-2	segrovka S-10		1		segrovka S-10= old. 2 57408-1	
025	1413R7-2	Holder complete		1		dr	
C10	422C22-2	Felt B		1			
026	911151-3	šroub M4x28		4			
027	122J04-3	Driving roller assembly		1		n	
C10	4132R7-9	Cover		2			
C20	911128-8	Pan head screw M4X16 WR		6			
028	911116-5	šroub M4x12		2			
029	347D53-5	Safety cover A		1		kryt	
030	210033-9	ložisko 696ZZ		1		lo	
031	233950-6	pružina		1		pru	
032	227C68-1	Spiral bevel gear 48		1		ozuben	
033	962151-6	segrovka vnitřní R-32		1		segrovka vnit	
034	211129-9	kul.lož. 6201=old922088,211143- 5 211122-3		1		kul.lo	
035	253464-9	Flat washer 12		1			
036	213622-9	o-kroužek 45 9554NB-9558NB		1		o-krou	
037	312H86-3	Bearing box		1		obal	
038	347640-6	Labyrinth ring		1			
039	136260-9	Spindle assembly		1			
039		INC. 38					
040	417771-6	tlačítko aretace MT952		1		tla	
041	256546-6	Shoulder pin 4		1			
042	213960-9	o-kroužek 9554-9558NB		1		o-krou	

043	233072-2	vinutá pružina 8		1		vinut	
044	137435-3	GEAR HOUSING ASS'Y		1		p	
C10	263002-9	vymezovací čep 4		1			
044		INC. 40-43					
045	266048-4	šroub 4x40		4			
046	8154Y4-6	BS002G NAME PLATE		1			
047	266326-2	šroub 4x18=new265995-6		5			
048	4132B6-9	Cap		1		v	
049	183W44-4	Motor housing set		1		obal motoru	
C10	263005-3	vymezovací čep 6		2			
049		INC. 65					
050	213A32-6	O-ring 32		1		O krou	
051	961006-2	segrovka S-10		1		segrovka S-10= old. 2 57408-1	
052	211097-6	Ball bearing 6000LLB		1		lo	
053	213445-5	o-kroužek 26		1		o-krou	
054	136989-7	Gear housing cover assembly		1		kryt	
054		INC. 53					
055	519945-6	ROTOR ASS'Y		1		rotor	
055		INC. 56					
056	210325-6	Ball bearing 627DDW		1			
057	455447-7	Switch knob		1		tla	
058	412233-9	Switch lever		1		p	
059	233121-5	pružina táhla vypínače 9554NB		1		pru	
060	651445-1	Switch FPM-1130		1		vyp	
061	620T37-7	Dial circuit		1		regulace	
062	629D71-8	Stator complete		1		stator elektronika cpl .	
063	632P65-6	Terminal unit		1		termin	
064	8154Y6-2	BS002G SERIAL NO. LABEL		1			
065	183W44-4	Motor housing set		1		obal motoru	
C10	263005-3	vymezovací čep 6		2			
065		INC. 49					
066	422610-7	Dust cover		1		prachov	
A01	1910X6-8	Grip 35 set		1			
E01	8098E7-4	INDICATION LABEL		1			

Prosím uveďte objednáčíslo dílu v objednávce

Datum tisku 07. 05. 2026