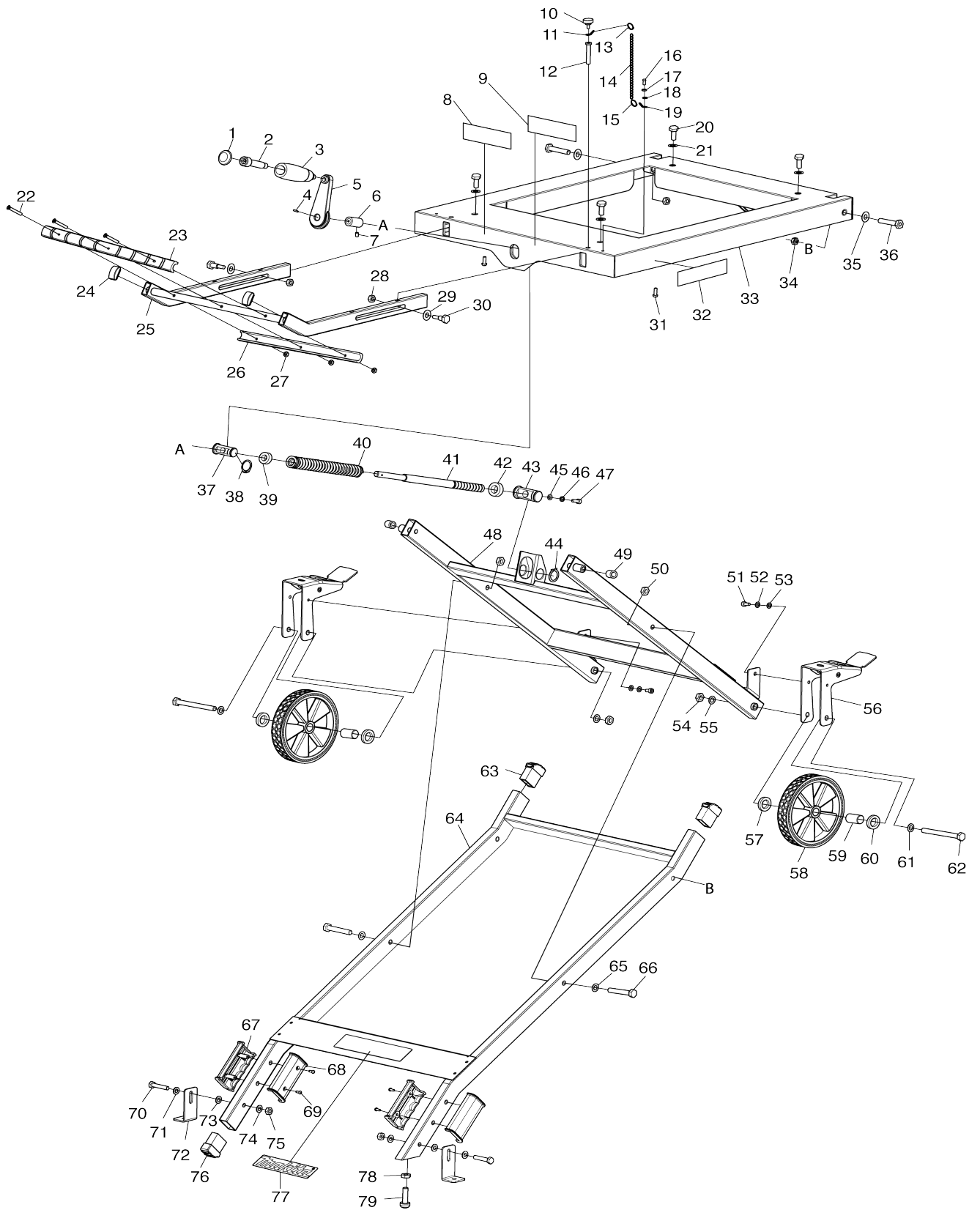


# Model No.WST03 Table Saw Stand



# Model No.WST03 Table Saw Stand

Obj. č.	Obj. č.	Popis	Možn ost zá měny	Množ ství	Nový/ Starý	Poznámka 1	Poznámka 2
001	JM27000185	kryt		1		kryt	
002	JM27000226	SPECIAL HEX SOCKET BOLT M10 X60		1			
003	JM27000227	HANDLE		1			
004	JM27000228	PIN 3X25		1			
005	JM27000229	ARM		1			
006	JM27000230	BUSH		1			
007	JM00000251	HEX SOCKET SET BOLT M5X6		1			
008	JM27080058	INDICATION LABEL		1			
009	JM27080059	CAUTION LABEL		1			
010	JM27000248	knoflík		1		knofl	
011	JM27000250	CONNECTOR		1		konektor	
012	JM27000249	STEPPED PIN 8X48		1			
013	JM00000252	CHAIN RING		1			
014	JM27000251	CHAIN		1			
015	JM00000252	CHAIN RING		1			
016	JM27000042	PAN HEAD SCREW M5X10		1			
017	JM27000048	SPRING WASHER 5		1		podlo	
018	JM27000155	FLAT WASHER 5		1		podlo	
019	JM27000250	CONNECTOR		1		konektor	
020	JM27000001	HEX BOLT M10X35		4			
021	JM27000003	FLAT WASHER 10		4			
022	JM27000236	FLAT HEAD SCREW M4X28		3			
023	JM27000237	HANDLE GRIP OUTSIDE		1			
024	JM27000238	COVER		2			
025	JM27000242	HANDLE ASSEMBLY		1			
026	JM27000243	HANDLE GRIP INSIDE		1			
027	JM27000244	HEX NUT M4		3			
028	JM27000245	HEX LOCK NUT M10		2			
029	JM27000003	FLAT WASHER 10		2			
030	JM00000253	HEX STEPPED BOLT M10X38		2			
031	JM00000254	PAN HEAD SCREW M4X20		2			
032	JM27080062	WARNING LABEL		1			
033	JM27000247	BASE		1			
034	JM27000245	HEX LOCK NUT M10		2			
035	JM27000003	FLAT WASHER 10		2			
036	JM27000246	HEX BOLT M10X55		2			
037	JM27000232	PIN		1			
038	JM27000233	RETAINING RING 20		1			
039	JM27000234	THRUST BEARING 51101		1			
040	JM27000235	COMPRESSION SPRING		1		pru	
041	JM27000239	LIFT ADJUST FEED SCREW		1		ty	
042	JM27000240	THRUST BEARING 51103		1		lo	
043	JM27000275	LIFT ADJUST FEED SCREW NUT		1		matka	
044	JM27000274	RETAINING RING 24		1			
045	JM27000211	WASHER 6 (L)		1		podlo	
046	JM27000017	SPRING WASHER 6		1		krou	
047	JM27000241	HEX SOCKET BOLT M6X16		1			

048	JM27000276	STAND ASSEMBLY A		1		noha	
049	JM27000254	BUSH		2			
050	JM27000245	HEX LOCK NUT M10		2			
051	JM27000137	HEX SOCKET HEAD BOLT M6X12		2			
052	JM27000017	SPRING WASHER 6		2		krou	
053	JM27000024	FLAT WASHER 6		2		podlo	
054	JM27000245	HEX LOCK NUT M10		2			
055	JM27000003	FLAT WASHER 10		2			
056	JM00000348	ROLLER COMPLETE		2			
057	JM27000449	RING 20		2			
058	JM23400059	WHEEL		2		kolo	
059	JM27000265	BUSH		2	*	pouzdro	
059-1	JM00000428	BUSH	S	2		pouzdro	
060	JM27000449	RING 20		2			
061	JM27000003	FLAT WASHER 10		2			
062	JM27000253	HEX BOLT M10X105		2			
063	JM27000252	PAD		2		deska	
064	JM27000256	BRACKET B		1		konzola WST03	
065	JM27000003	FLAT WASHER 10		2			
066	JM27000246	HEX BOLT M10X55		2			
067	JM27000258	HANDLE INNER HALF		2			
068	JM27000257	HANDLE OUT HALF		2			
069	JM27000004	SELF TAPPING SCREW ST3.9X12		4			
070	JM27000259	HEX.BOLT M8X40		2			
071	JM27000261	BIG WASHER 8		2			
072	JM27000260	CONNECTION PLATE		2			
073	JM27000261	BIG WASHER 8		2			
074	JM27000261	BIG WASHER 8		2			
075	JM27000262	HEX LOCK NUT M8		2			
076	JM27000252	PAD		1		deska	
077	JM27080061	MAKITA LOGO LABEL		1			
078	JM27000263	KNURLED NUT M10		1		matka	
079	JM27000264	ADJUSTING LEVEL BOLT M10X40		1			
A01	JM21080292	HEX KEY WRENCH 5		1			
A02	JM00000255	OPEN SPANNER 16		2			

Prosím uveďte objednáací číslo dílu v objednávce

Datum tisku 16. 04. 2026