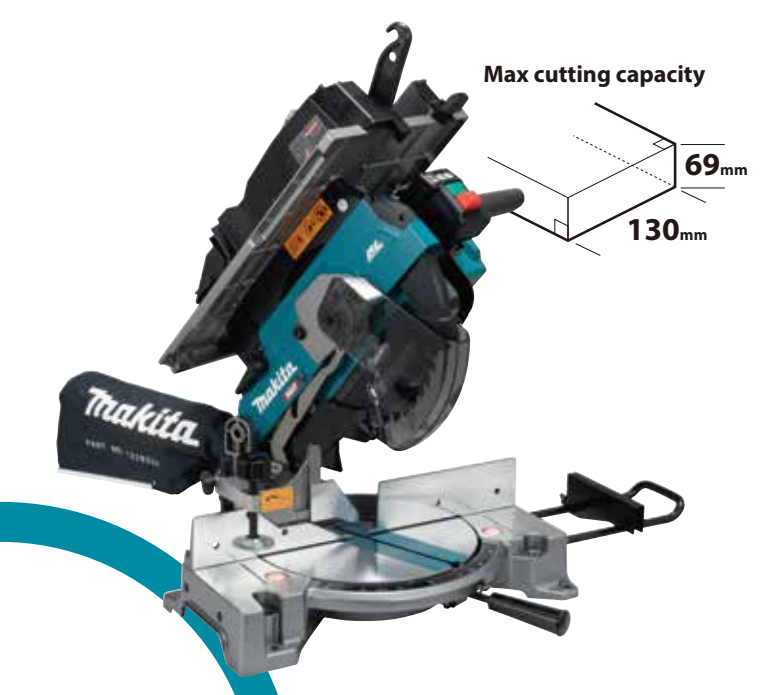




Cordless Table Top Miter Saw LH001G 260 mm (10-1/4")

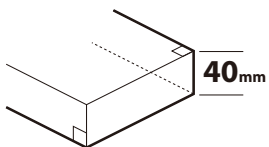


40V Li-ion max



Miter saw and Table saw in one tool with cordless convenience

Max cutting capacity



Miter saw

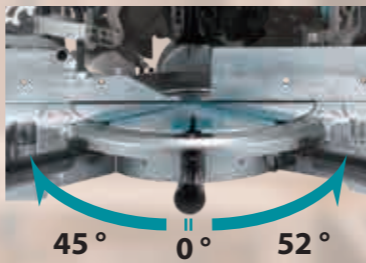
Work amount on a full battery charge

122 cuts

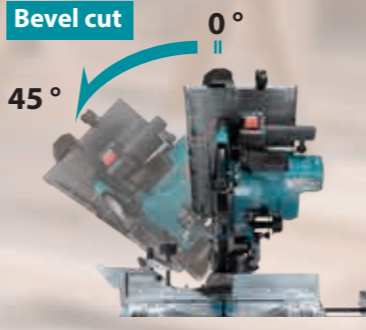
Cut 62 x 130 mm Melapi with BL4040 battery



Miter cut



Bevel cut



XGT 40V L⁺ ION max + BL MOTOR

With an XGT battery, BL motor, and EFFICUT blade, the tool delivers power and efficiency that exceed those of corded models equipped with a general-purpose blade.



Lightweight at only 12.5kg (tool only)



Work efficiency*

LH001G (EFFICUT blade)

285% (3.2 sec)

Our AC model (General-purpose blade)

100%

*Test condition: Table saw mode, Test material: Melapi (40 x 500mm)



Auto-start Wireless System

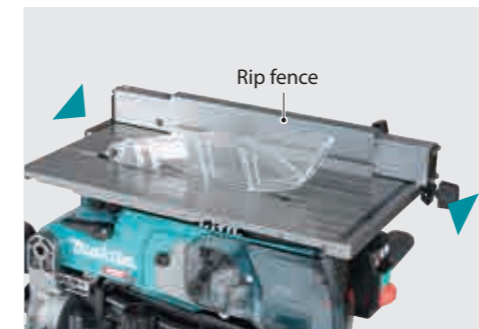
Connects to a compatible vacuum cleaner with Bluetooth. The vacuum cleaner automatically runs while the switch is on.

Table saw

Work amount on a full battery charge

60 cuts

Cut 40 x 500mm Melapi with BL4040 battery



Rip fence secured at both ends

Minimizes bending when the workpiece is pressed against it, enhancing cutting accuracy in table saw mode.

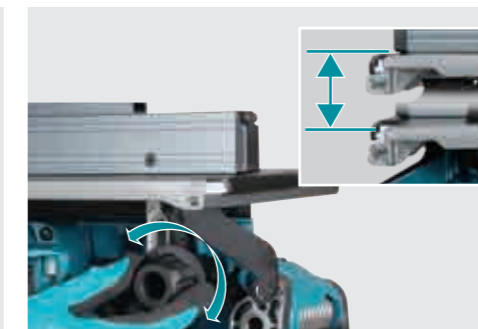
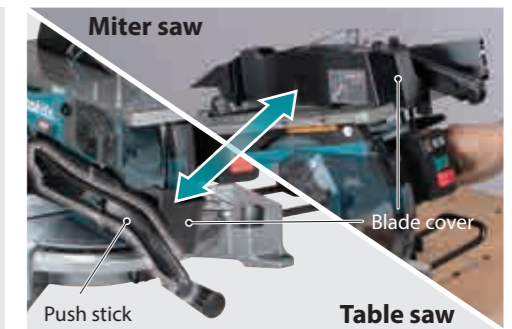


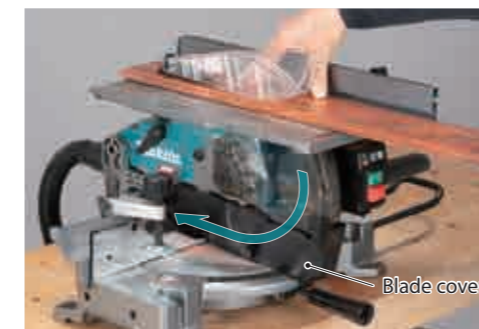
Table height adjustment

A rack-and-pinion mechanism allows easy fine adjustment of the table height by simply turning the knob.



Blade cover for both modes

The blade cover is used in Miter saw and Table saw modes. The push stick can be stored on the side of the blade cover to help avoid loss.



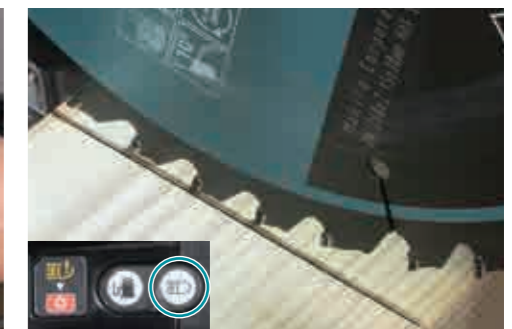
Enhanced dust-collection efficiency

A redesigned airflow path minimizes the dust ejected from the blade cover, enhancing dust-collection efficiency in table saw mode.



Vacuum cleaner activation switch

The switch that activates only the vacuum cleaner via AWS makes it easier to clean the tool after use.



LED job light with cut line guide

An LED light casts the blade's shadow on the workpiece, allowing the blade to be aligned with the marked cut line.

Max. cutting capacity (with 255/ 260mm saw blade)

Miter saw (height x width)

Table saw (height)

Cross Cut	Miter Cut (left & right)	Bevel Cut (left & right)	Compound Cut		Rip Cut
69 mm x 130 mm (2-3/4" x 5-1/8") ^{*1} 93 mm x 95 mm (3-5/8" x 3-3/4") ^{*2}	Miter 45° left / right 69 mm x 85 mm (2-3/4" x 3-3/8") ^{*1} 93 mm x 67 mm (3-5/8" x 2-5/8") ^{*2}	Bevel 45° left 35 mm x 130 mm (1-3/8" x 5-1/8") ^{*1} 53 mm x 95 mm (2-1/16" x 3-3/4") ^{*2}	Bevel 45° left Miter 45° left 35 mm x 65 mm (1-3/8" x 2-9/16") ^{*1} 49 mm x 42 mm (1-15/16" x 1-5/8") ^{*2}	Bevel 45° left Miter 45° right 35 mm x 91 mm (1-3/8" x 3-5/8") ^{*1} 49 mm x 67 mm (1-15/16" x 2-5/8") ^{*2}	40 mm (1-9/16")

*1: When the workpiece is positioned to maximum horizontal cutting width.

*2: When the workpiece is positioned to maximum vertical cutting height.

Accessories

TCT saw blade for table top miter saw



★★★★★



Outer (mm)	No. teeth	Kerf (mm)	Hole (mm)	Ring (mm)	Sales pkg q'ty	Part No.
260	45	2.15	25.4	15.88	1	E-27779
	60	2.15	25.4	-	1	E-29555
	80	2.15	25.4	-	1	E-29583
	45	2.15	30	-	1	E-27763
	60	2.15	30	25.4 15.88	1	E-29549
	80	2.15	30	25.4 15.88	1	E-29577



Charging Time

40V max LFI-ION	Fast Charging	
	DC40RA	DC40RC
BL4020 2.0Ah	22 min	30 min
*1 BL4025 2.5Ah	28 min	38 min
*1 BL4040/F 4.0Ah	45 min	67 min
*1 BL4050F 5.0Ah	50 min	85 min
*1 BL4080F/H 8.0Ah	76 min	170 min

*1 Recommended battery

Cordless Table Top Miter Saw

LH001G

	Brake	Wheel diameter 255 mm (10"), 260 mm (10-1/4") No load speed 4,300 min ⁻¹
	Anti - Restart Function	Miter saw specifications / Bevel range 0° - Left : 45° Miter saw specifications / Miter range Left: 45° / Right: 52°
	Constant Speed	Miter saw specifications / Cutting capacity Bevel 0° / Miter 0°: 69 x 130 mm (2-3/4 x 5-1/8"), 93 x 95 mm (3-5/8 x 3-3/4") Bevel 0° / Miter 45°LR: 69 x 85 mm (2-3/4 x 3-3/8"), 93 x 67 mm (3-5/8 x 2-5/8")
	Soft Start	
	Bevel Cutting 45° Left	Sound pressure level 91 dB(A) (EN62841-3-11) Sound power level 103 dB(A) (EN62841-3-11)
	LED Marker	Uncertainty (K) for Noise 3 dB(A) (EN62841-3-11)
	Dust Collection	Table saw, Max cutting capacity 40 mm (1-9/16") Table saw, Table size 260 x 415 mm (10-1/4 x 16-3/8")
	Built-in Job Light	Dimensions (L x W x H) (Battery) 545 x 476 x 585 mm (21-1/2 x 18-3/4 x 23") (BL4040) Net weight (Battery) 14.8 - 16.0 kg (32.6 - 35.3 lbs.) (BL4020 - BL4080F)

Standard Equipment : TCT saw blade, Rip fence, Push stick, Blade cover, Hex wrench, Ring, Set plate, Vertical vise, Holder, Dust bag

The net weight value includes the lightest and heaviest combination of the attachment(s) for normal and safe use and battery and cartridge(s) which are specified in the instruction manual.

Items of standard equipment and specifications may vary by country or area.

Makita Corporation

3-11-8 Sumiyoshi-cho, Anjo, Aichi, 446-8502 Japan

