



# Cordless Combination Hammer HR011G / HR012G



28 mm (1-1/8") Adapted for SDS-PLUS bits



# 40V Li-ion max

Impact energy  
**3.3**  
Joule

## Maximum drilling efficiency in its class\*

Compact and lightweight design with low vibration

\* In the category of 28 mm-class cordless hammer drills with SDS-plus shank. According to our research as of November 2025.

Dust collection system

**DX17/DX18**

Clean operation with excellent maneuverability

**Low vibration**  
Hammer drilling into concrete

HR011G **10.5** m/s<sup>2</sup>

HR012G **10.2** m/s<sup>2</sup>

**Work efficiency**  
increased by

about **30** %

Compared to our previous model

Max. drilling capacity

**28** mm

Photo: HR011G + DX17

HR011G



Dust collection system DX17 (option)  
**HEPA filter**

HR012G

Quick change drill chuck



Dust collection system DX18 (option)  
**HEPA filter**



# Maximum drilling efficiency in its class

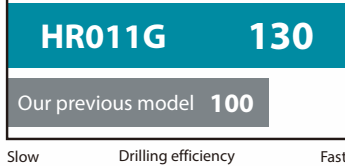
\* In the category of 28 mm-class cordless hammer drills with SDS-plus shank. According to our research as of

Drilling efficiency increased by about

## 30 %

Compared to our previous model

- Drill diameter:  $\varnothing 16.0$  mm
- Depth: 60 mm
- Concrete with compressive strength of 40 N/mm<sup>2</sup>



Compact and lightweight  
**600 g lighter than our previous model**



**Filter cleaning**  
Turning the dial removes dust from the filter and restores dust collection performance.

**Our previous model**  
\* With the dust collection system installed

Photo: HR011G + DX17

## AVT Anti-Vibration Technology Low vibration

- HR011G**
- Hammer drilling into concrete: 10.5 m/s<sup>2</sup>
  - Hammer drilling into concrete with DX17: 11.0 m/s<sup>2</sup>
  - Chiselling: 7.3 m/s<sup>2</sup>
- HR012G**
- Hammer drilling into concrete: 10.2 m/s<sup>2</sup>
  - Hammer drilling into concrete with DX18: 9.1 m/s<sup>2</sup>
  - Chiselling: 6.9 m/s<sup>2</sup>

According to EN62841-2-6

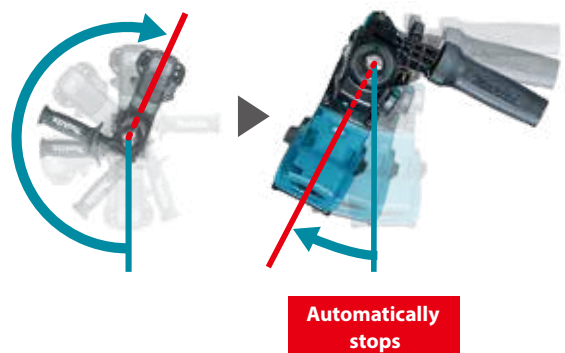
### Minimizing user strain during continuous operation.



Reduces vibration by counterbalancing piston movement.

## AFT Active Feedback sensing Technology

Turns the motor off if bit rotation is suddenly forced to stop.



# Increasing efficiency with excellent maneuverability

Class\*

November 2025.

**BL  
MOTOR**

High-power brushless motor



**XPT**

High water-resistance compatible with XPT (eXtreme Protection Technology)

## Three operation modes

Rotation with Hammering



Photo: HR011G with DX17

Hammering only



Photo: HR011G with Dust cup set

Rotation only

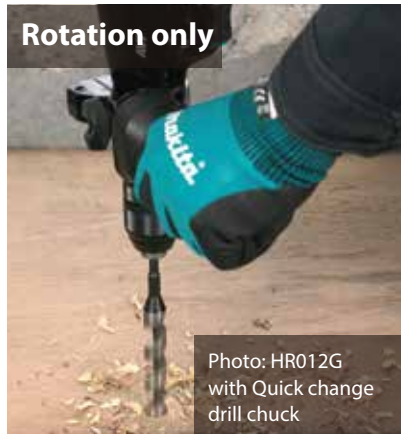



Photo: HR012G with Quick change drill chuck

## Electronic speed switch

From heavy-duty tasks to delicate tasks



Speed indicator	Blows per min: min <sup>-1</sup>	Recommended application
4	5,000	Drilling, chiseling and chipping work
3	4,250	Scraping and chiseling work
2	3,250	Reducing breakage and wear when drilling with small-diameter bits
1	1,400	Minimizing edge chipping when drilling into tiles 

One-touch attachment and removal



## Dust collection system DX17/DX18

Clean operation with excellent maneuverability



- Compatible drill bit length: up to 265 mm
- Dust box capacity: 400 mL

**AWS**

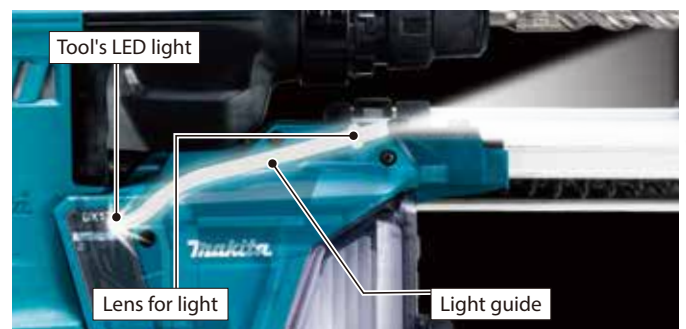
## Auto-start Wireless System

Connects to compatible vacuum cleaner with Bluetooth. The vacuum cleaner automatically runs while the switch is on.



## New light structure

By adopting a light-guiding structure that directs the tool's LED light to the front of the dust collection system, the need for an LED light and LED circuit within the system is eliminated.



## ■ Combination Hammer and Rotary Hammer with Dust collection system series

40V max

**HR009G+DX11**  
Capacity: 30mm  
Impact energy: 3.9 J

Quick change  
drill chuck



40V max

**HR008G+DX10**  
Capacity: 30mm  
Impact energy: 3.9 J



40V max

**HR007G+DX15**  
Capacity: 28mm  
Impact energy: 3.0 J



40V max

**HR010G+DX16**  
Capacity: 20mm  
Impact energy: 2.1 J



## ■ Accessories

### Dust case set

Part No.  
1916C0-9  
1916C1-7 (For North  
American countries only)



### HEPA Filter set

Part No.  
199596-7

**HEPA**  
filter



### Dust cup set

For drilling  
Part No.  
HR011G: 1914L7-6  
HR012G: 1914L8-4



### Dust cup set

For hammering  
Part No.  
HR011G: 1914L9-2  
HR012G: 1914M0-7



### Tool holder set

HR012G only  
Part No.  
191F47-2



### Keyless drill chuck set

Part No.  
194254-0



### Hook set

Part No.  
191W90-3



### Grease vessel set

Part No.  
198993-4  
194683-7



### Wireless unit set

Part No.  
199393-1  
198901-5  
198900-7



### Drill chuck set

Part No.  
194041-7



## ■ Charging Time

	Fast Charging	
	DC40RA	DC40RC
*1 BL4020 2.0Ah	22 min	30 min
*1 BL4025 2.5Ah	28 min	38 min
*1 BL4040/F 4.0Ah	45 min	67 min
BL4050F 5.0Ah	50 min	85 min
BL4080F/H 8.0Ah	76 min	170 min

\*1 Recommended battery

## Cordless Combination Hammer

### HR011G/ HR012G 28 mm (1-1/8") Adapted for SDS-PLUS bits

Brake	Blows per minute	0 - 5,000 min <sup>-1</sup>
Reversing	No load speed	0 - 1,130 min <sup>-1</sup>
Anti-restart function	Capacity	Concrete (w/ TCT bit): 28 mm (1-1/8") Steel: 13 mm (1/2") Wood: 32 mm (1-1/4")
Electronic 4-Speed	Impact energy	3.3 J
Adapted for SDS-PLUS bits	Vibration level *	HR011G: 10.5 m/s <sup>2</sup> / HR012G: 10.2 m/s <sup>2</sup> (Mode: Hammer drilling into concrete) HR011G: 11.0 m/s <sup>2</sup> (Mode: Hammer drilling into concrete with DX17) HR012G: 9.1 m/s <sup>2</sup> (Mode: Hammer drilling into concrete with DX18) HR011G: 7.3 m/s <sup>2</sup> / HR012G: 6.9 m/s <sup>2</sup> (Mode: Chiselling)
Torque Limiter	Uncertainty (K) for Vibration *	HR011G: 1.5 m/s <sup>2</sup> / HR012G: 1.8 m/s <sup>2</sup> (Mode: Hammer drilling into concrete) 1.5 m/s <sup>2</sup> (Mode: Hammer drilling into concrete with DX17 / DX18) 1.5 m/s <sup>2</sup> (Mode: Chiselling)
Constant Speed	Sound pressure level *	HR011G: 97 dB(A), 98 dB(A) (with DX17) HR012G: 96 dB(A), 98 dB(A) (with DX18)
Dust Collection	Sound power level *	HR011G: 105 dB(A), 105 dB(A) (with DX17) HR012G: 104 dB(A), 106 dB(A) (with DX18)
Built-in Job Light	Uncertainty (K) for Noise *	3 dB(A), 3 dB(A) (with DX17 / DX18)
Carrying Case	Dimensions (L x W x H)	HR011G: 391 x 104 x 223 mm (15-3/8 x 4-1/8 x 8-3/4") HR012G: 419 x 104 x 223 mm (16-1/2 x 4-1/8 x 8-3/4")
	(Battery)	(BL4040/BL4040F)
	Net weight	HR011G: 3.8 - 5.5 kg (8.4 - 12.1 lbs.) / HR012G: 4.0 - 5.4 kg (8.8 - 11.9 lbs.)
	(Battery)	BL4020 - BL4080F

\*EN62841-2-6

Standard Equipment: Side grip, Drill chuck assembly (HR012G only), Depth gauge, Grease vessel, Battery, Charger

The net weight value includes the lightest and heaviest combination of the attachment(s) for normal and safe use and battery cartridge(s) which are specified in the instruction manual.

Items of standard equipment and specifications may vary by country or area.

# Makita Corporation

3-11-8 Sumiyoshi-cho, Anjo, Aichi, 446-8502 Japan



PRINTED IN JAPAN 202512

www.makita.com