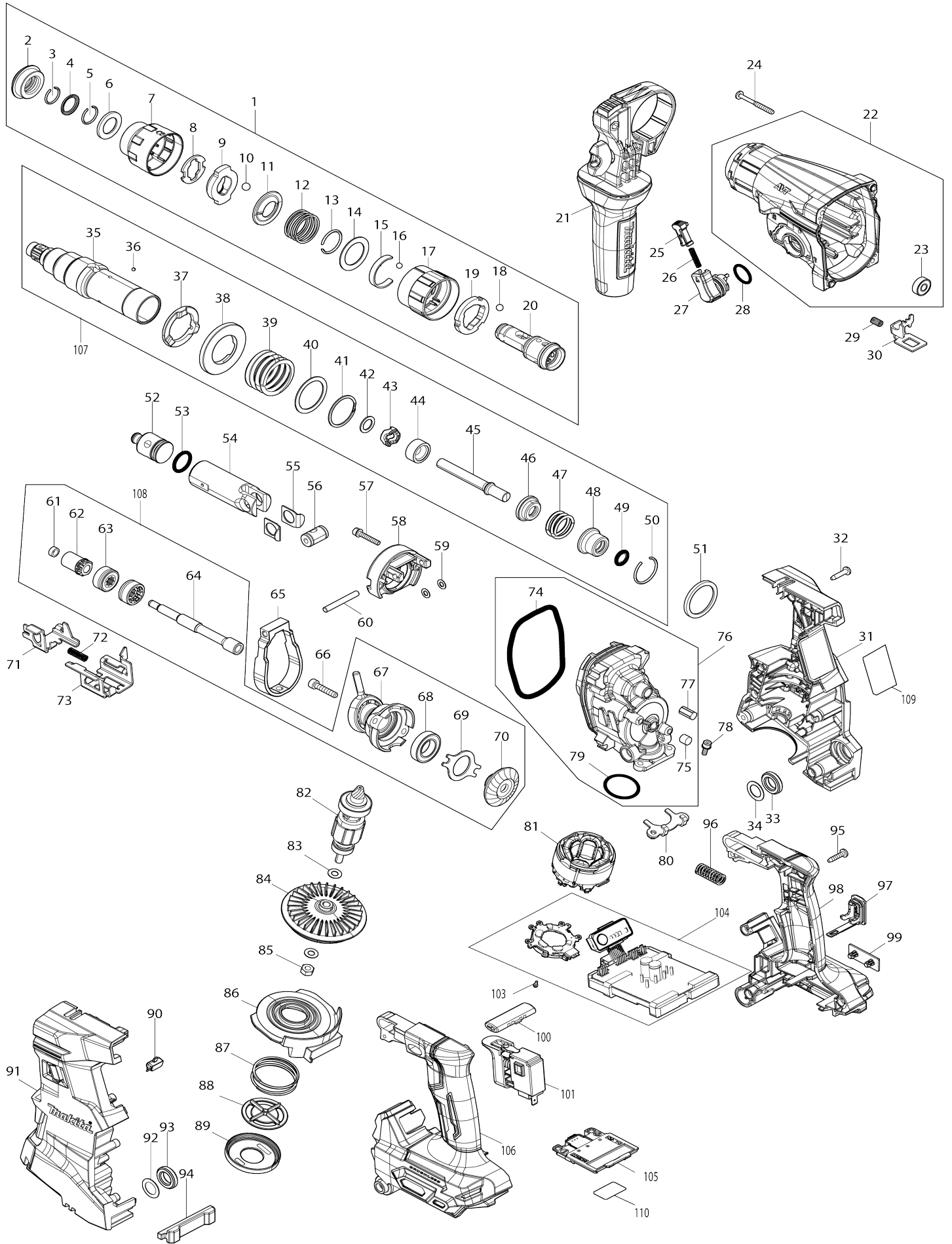


Model No.HR012G 28MM CRDLS COMBINATION HAMMER



Model No.HR012G 28MM CRDLS COMBINATION HAMMER

Obj. č.	Obj. č.	Popis	Možn ost zá měny	Množ ství	Nový/ Starý	Poznámka 1	Poznámka 2
001	127219-7	Tool holder assembly		1		dr	
001		INC. 2-20					
002	422570-3	Cap 35		1			
003	233989-9	kroužek		1		krou	
004	346834-0	Washer 16		1		podlo	
005	233992-0	segrovka		1		segrovka HR2300	
006	253467-3	Washer 17		1			
007	459162-5	Chuck cover		1			
008	347687-0	Plate		1			
009	310926-1	Stopper		1			
010	216022-2	kulička = old 183013		2		kuli	
011	347745-2	Guide washer		1			
012	232554-1	Compression spring 26		1			
013	233924-7	pružina HR2450T		1		pru	
014	253468-1	Flat washer 24		1			
015	232555-9	Leaf spring		1			
016	216018-3	kulička 5.0 BFL/BFT		1		kuli	
017	459159-4	Change cover A		1			
018	216013-3	kulička 6		3		kuli	
019	347496-7	Change ring A		1			
020	327264-4	Tool holder		1			
021	122K22-7	GRIP ASSEMBLY		1		rukoje	
C10	265625-9	Thumb screw M6X50		1			
022	137389-4	GEAR HOUSING SET		1		obal	
022		INC. 23					
023	210028-2	Ball bearing 606ZZ		1		kuli	
024	266560-4	Binding head tapping screw 4X4 0		4			
025	457709-9	Lock button		1		knofl	
026	234264-6	Compression spring 3		1		pru	
027	161656-5	Change lever complete		1		p	
028	213278-8	o-kroužek 17		1		o-krou	
029	233360-7	Compression spring 4		1		pru	
030	347E07-8	LOCK PLATE		1		deska	
031	1831S4-7	HOUSING SET		1		pouzdro	
031		INC. 91					
032	266326-2	šroub 4x18=new265995-6		9			
033	459184-5	Cushion ring 12		1		krou	
034	253798-0	podložka 13 HP2000=old341663 -6		1		podlo	
035	1412E4-1	TOOL HOLDER GUIDE COMPLET E		1			
036	216068-8	Steel ball 3		3			
037	327D75-1	Driving flange		1		p	
038	227C33-0	SPUR GEAR 40		1			
039	232952-9	COMPRESSION SPRING 31		1			
040	267153-0	Flat washer 30		1		podlo	
041	257932-4	kroužek		1		krou	
042	253634-0	FLAT WASHER 11		1			

043	422C70-1	CUSHION SLEEVE 11		1		
044	327F69-8	SLEEVE 9		1		
045	327F76-1	IMPACT BOLT B		1		
046	327F73-7	WASHER 10		1		
047	232969-2	COMPRESSION SPRING 20		1		
048	327F72-9	O-RING CASE		1		
049	213073-6	o-kroužek 9		1		o-krou
050	233979-2	kroužek		1		krou
051	347D13-7	RING 30		1		krou
052	327F70-3	STRIKER		1		
053	213258-4	o-kroužek 17.5		1		o-krou
054	312J32-8	PISTON CYLINDER		1		v
055	347E05-2	GUIDE PLATE		2		vod
056	327F74-5	PISTON JOINT		1		kloub
057	922148-7	inbus šroub M4x25		2		inbus
058	1412E1-7	INNER SUPPORT COMPLETE		1		kompletn
059	253811-4	podložka 5		2		podlo
060	256573-3	Pin 5		1		
061	257A41-5	Ring 6		1		
062	227B56-2	Spur gear 9		1		
063	327F77-9	CLUTCH CAM		2		
064	327F75-3	CAM SHAFT		1		
065	313664-4	COUNTER WEIGHT		1		protiz
066	265F03-9	HEX.SOCKET HEAD BOLT M5X25		2		
067	219041-7	SWASH BEARING 10		1		
068	210302-8	Ball bearing 6903ZZ		1		lo
069	347E06-0	BEARING RETAINER B		1		
070	227C31-4	SPIRAL BEVEL GEAR 29		1		
071	347E09-4	CHANGE PLATE B		1		v
072	234343-0	Compression spring 5		1		pru
073	347E08-6	CHANGE PLATE A		1		v
074	213850-6	O-ring 74		1		o-krou
075	443153-6	Felt		1		pls
076	137392-5	INNER HOUSING ASS'Y		1		pouzdro
076		INC. 74,75,77,79				
077	263045-1	Rubber pin 8		1		
078	922118-6	hex. socket head bolt M4x12		2		hex. socket head bolt M4x12
079	213415-4	o-kroužek 28		1		o-krou
080	347E10-9	BEARING RETAINER A		1		dr
081	629D40-9	STATOR		1		stator
082	619911-4	ROTOR		1		rotor
083	253715-0	podložka 6		2		podlo
084	240262-0	FAN 65		1		ventil
085	252186-8	matka 9554-9558		1		matka 9554-9558
086	4133C3-8	AIR DUCT		1		veden
087	232796-7	Compression spring 37		1		pru
088	413N14-8	Valve		1		klapka DHR183
089	413N15-6	Cap		1		v
090	620S12-7	LED CIRCUIT		1		obvod led
091	1831S4-7	HOUSING SET		1		pouzdro
091		INC. 31				

092	253798-0	podložka 13 HP2000=old341663-6	1	podlo
093	459184-5	Cushion ring 12	1	krou
094	422C71-9	BATTERY CUSHION	1	pol
095	266326-2	šroub 4x18=new265995-6	5	
096	232953-7	COMPRESSION SPRING 8	1	tlakov
097	140G30-2	Cap complete	1	v
C10	213A05-9	O-ring 16	1	o krou
098	1831S1-3	HANDLE SET	1	sada rukojeti
C10	263005-3	vymezovací čep 6	2	
098		INC. 106		
099	459753-2	Cap	1	v
100	453124-5	F/R change lever	1	p
101	651439-6	Switch C3JR-4B-2	1	vyp
103	652119-7	Pan head screw M2X6	6	
104	137396-7	CONTROLLER ASS'Y	1	ovl
105	632P64-8	Terminal unit	1	vstup
106	1831S1-3	HANDLE SET	1	sada rukojeti
C10	263005-3	vymezovací čep 6	2	
106		INC. 98		
107	137397-5	TOOL HOLDER ASS'Y	1	dr
107		INC. 35-50		
108	137391-7	CAM SHAFT ASS'Y	1	h
108		INC. 61-64,67-70		
109	8152G1-4	HR012G NAME PLATE	1	
110	8152G2-2	HR012G SERIAL NO. LABEL	1	
A01	331886-4	Depth gauge	1	
A02	198993-4	Grease vessel set	1	
A03	191F46-4	Drill chuck set	1	
A04	821552-6	systainer Makpac 395x295x315 mm=old824783-6	1	
C10	453974-8	Latch	4	spona Makpacu
A05	836491-7	INNER TRAY	1	
A06	***DC40RA	DC40RA FAST CHARGER	1	
A06		COMPO-PARTS		
A07	412393-7	Battery cover	2	
A08	191B26-6	Battery BL4040 set	2	
F03	191F46-4	Drill chuck set	1	
F04	191F47-2	Tool holder set	1	
F05	191W90-3	Hook set	1	
F06	1914L8-4	Dust cup set	1	
F07	1914M0-7	Dust cup set	1	
F08	1916C0-9	DUST CASE SET	1	prachov
F14	194254-0	rychl sklíčidlo 13 mm = old 1926 64-5	1	
F16	198900-7	Wireless unit set	1	
F21	199596-7	Filter set	1	

Prosím uveďte objednáčíslo dílu v objednávce

Datum tisku 23. 10. 2025