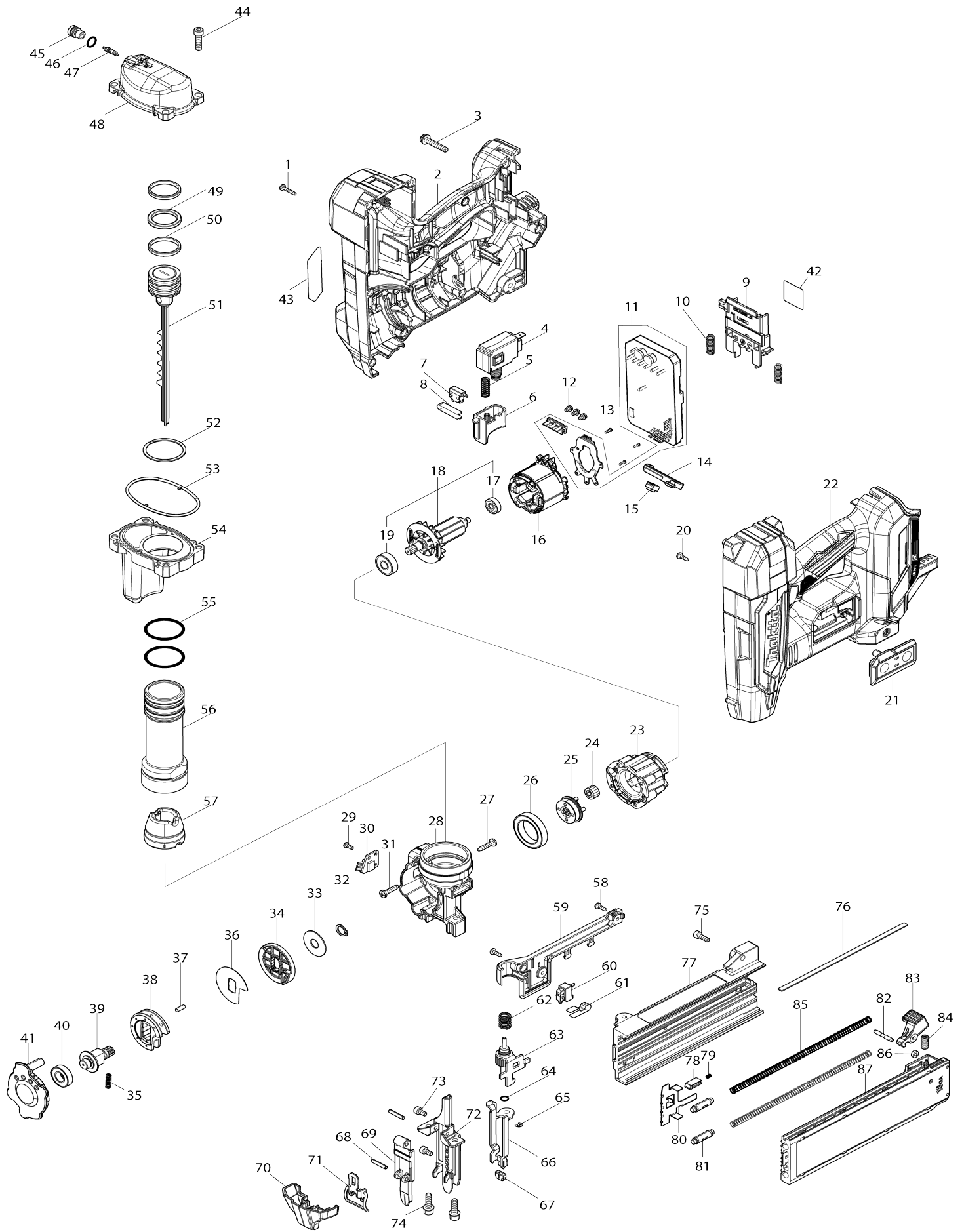


# Model No.DBN501 50MM CORDLESS BRAD NAILER



**Model No.DBN501 50MM CORDLESS BRAD NAILER**

Obj. č.	Obj. č.	Popis	Možn ost zá měny	Množ ství	Nový/ Starý	Poznámka 1	Poznámka 2
001	266130-9	šroub PT 3X		11			
002	1831D7-6	HOUSING SET		1		obal	
C10	263005-3	vymezovací čep 6		2			
C20	252126-6	HEX. LOCK NUT M4-7		2		matka	
C30	252103-8	zajišťovací šroub M5-8		1		zaji	
002		INC. 22					
003	911248-8	šroub M5x28 = old 290001		1			
004	650060-8	Switch C3JR-5BM-PAND-2		1		vyp	
005	232884-0	Compression spring 7		1		pru	
006	4130V7-5	Trigger		1		spou	
007	632V61-0	Switch unit		1		vyp	
008	232889-0	Leaf spring		1	*	listov	
008-1	232889-0	Leaf spring	O	1		listov	
009	654908-6	Terminal		1		termin	
010	232876-9	Compression spring 7		2		pru	
011	620P12-9	Controller		1		ovlada	
012	652069-6	FLAT HEAD SCREW M3X6		3			
013	266490-9	TAPPING SCREW PT 2X6		3			
014	4130V8-3	LED holder		1		dr	
015	620P87-8	LED circuit		1		elektronika	
016	629A28-1	STATOR		1		stator	
017	210231-5	Ball bearing 625ZZ		1			
018	519865-4	ROTOR ASSY		1		rotor	
018		INC. 17,19					
019	210005-4	kulič. ložisko 608DDW = old 2110 31-6		1		kuli	
020	266007-8	Tapping Screw Bind PT3x1=old3 20266007		2		Tapping Screw Bind P T3x1=old320266007	
021	620P99-1	Switch circuit complete		1		elektronika	
022	1831D7-6	HOUSING SET		1		obal	
C10	263005-3	vymezovací čep 6		2			
C20	252126-6	HEX. LOCK NUT M4-7		2		matka	
C30	252103-8	zajišťovací šroub M5-8		1		zaji	
022		INC. 2					
023	122G77-8	Gear assembly		1		p	
024	227B71-6	Spur gear 14		4		ozuben	
025	141Y39-5	Carrier complete		1		nosi	
026	210168-6	BALL BEARING 6805DDW		1		lo	
027	265995-6	šroub 4x18 = old 265941-9		2	*		
027-1	265E16-4	Tapping screw 4X18	<	2			
028	141Y44-2	Inner housing complete		1		vnit	
029	911007-0	924309		1		924309 STOP	
030	620P94-1	Sensor circuit		1		elektronika	
031	265995-6	šroub 4x18 = old 265941-9		4	*		
031-1	265E16-4	Tapping screw 4X18	<	4			
032	961006-2	segrovka S-10		1		segrovka S-10= old. 2 57408-1	
033	347C87-2	Flat washer 10		1		podlo	
034	162D44-3	Holder complete		1		dr	

035	232885-8	Compression spring 4		1		tlakov	
036	347C81-4	Lifter plate		1		zdvihac	
037	256173-9	PIN 3.5		6		175025	
038	327E03-2	Lifter		1		zdvih	
039	327E09-0	Lifter shaft		1		h	
040	211391-6	BALL BEARING 6900LLU		1		kuli	
041	4130V1-7	Lifter cap		1		vi	
042	8148K6-5	DBN501 SERIAL NO. LABEL		1			
043	8148K4-9	DBN501 NAME PLATE		1			
044	922232-8	imbus M5x20		4		imbus M5x20	
045	327D23-0	Valve cap		1		v	
046	213007-9	o-kroužek 8		1		o-krou	
047	243138-0	Valve core		1		j	
048	312H24-5	Top cap		1		v	
049	213A78-2	X-ring 23		1		krou	
050	4130T8-9	Slide ring		2		kluzn	
051	137238-5	DRIVER ASSEMBLY		1		veden	
052	259092-8	Spiral retaining ring (EXT) 36		1		krou	
053	422B82-8	Seal ring		1		t	
054	141Y40-0	Chamber complete		1		komora kompletn	
055	213479-8	o-kroužek 33		2		krou	
056	327D99-7	Cylinder		1		v	
057	422B80-2	Front cushion		1		p	
058	266007-8	Tapping Screw Bind PT3x1=old3 20266007		3		Tapping Screw Bind P T3x1=old320266007	
059	4130U1-0	Adjuster cover		1		kryt	
060	141V44-4	Switch plate complete		1		vyp	
061	232883-2	Leaf spring		1		listov	
062	232882-4	Compression spring 9		1		tlakov	
063	141Y46-8	Adjuster complete		1		se	
064	213021-5	o-kroužek 5		1		o-krou	
065	961017-7	zajišťovací kroužek E-3		1		zaji	
066	347C76-7	Contact arm		1	*	rameno	
066-1	347C76-7	Contact arm	O	1		rameno	
067	422B81-0	Nose adapter		1		adapt	
068	951066-2	čep 2414NB		2			
069	313569-8	Driver guide		1		veden	
070	4130T7-1	Latch cover		1		kryt z	
071	162D43-5	Latch		1		z	
072	313568-0	Under driver guide		1		spodn	
073	265911-8	HEX. SOCKET HEAD BOLT M4X8		2			
074	922228-9	H.S.H.BOLT M5X18 WITH WR		2			
075	922117-8	HEX. SOCKET HEAD BOLT M4X12		1			
076	347E02-8	Nail plate		1		deska	
077	141Y42-6	Magazine complete		1		z	
C10	8082A9-3	CAUTION LABAL		1			
078	313591-5	Stopper		1		zar	
079	233018-8	vinutá pružina 3 JR3030T		1		vinut	
080	347C74-1	Pusher		1		tla	
081	459313-0	SLEEVE		2		pouzdro	
082	256877-3	PIN 3		1			
083	413329-9	LEVER		1		p	

084	233117-6	pružina 6 GA7010C/9010C/S	1	pru
085	232881-6	Compression spring 6	2	tlakov
086	262054-7	o kroužek	1	o krou
087	141Y43-4	Slide door complete	1	v
A01	251314-2	028078	1	
A02	346317-0	háček BDF/BHP446_456	1	h
A03	422B81-0	Nose adapter	2	adapt
A04	821552-6	systemainer Makpac 395x295x315 mm=old824783-6	1	
C10	453974-8	LATCH	4	spona Makpacu
A05	836366-0	INNER TRAY	1	

Prosím uveďte objednáčíslo dílu v objednávce

Datum tisku 29. 07. 2025