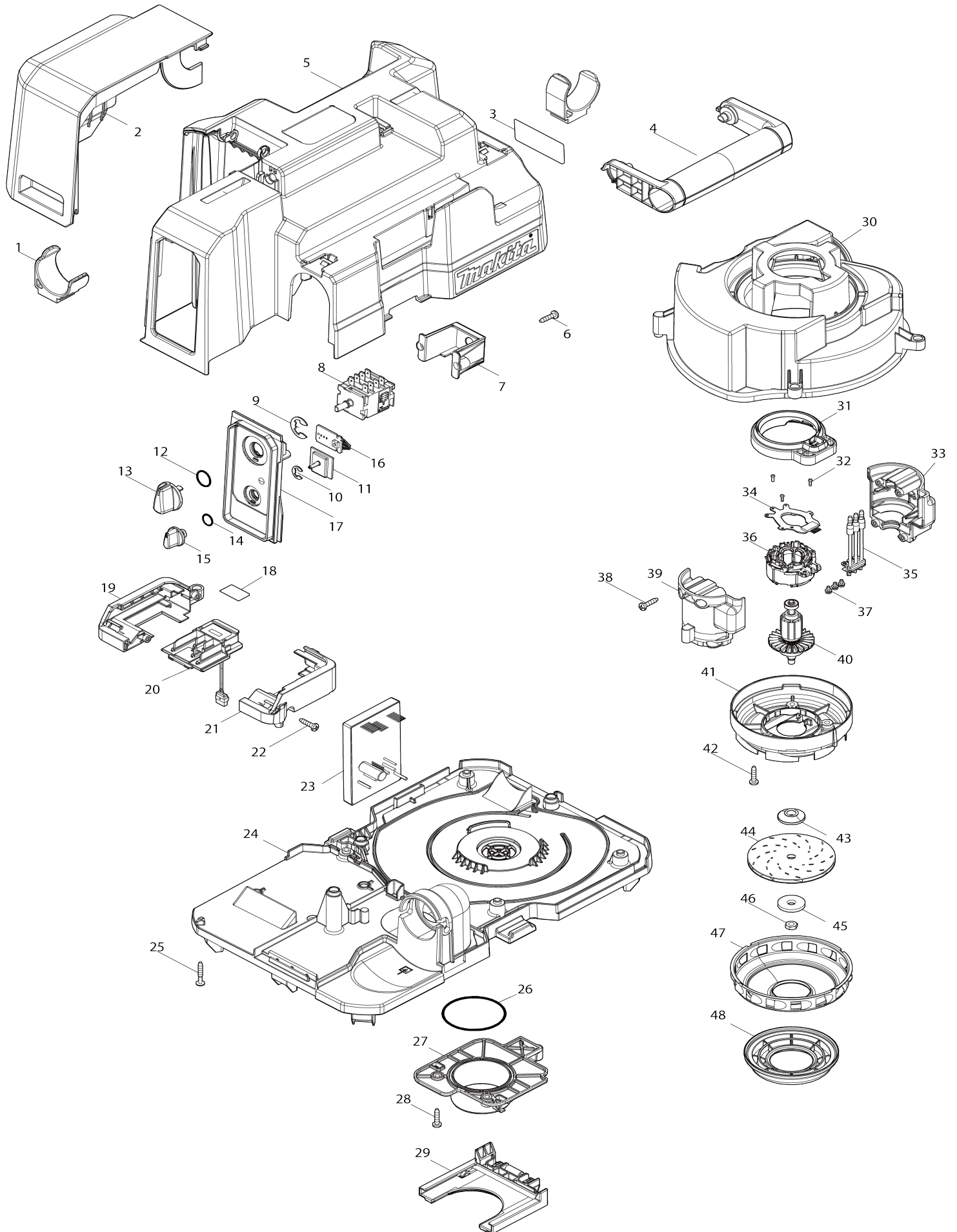
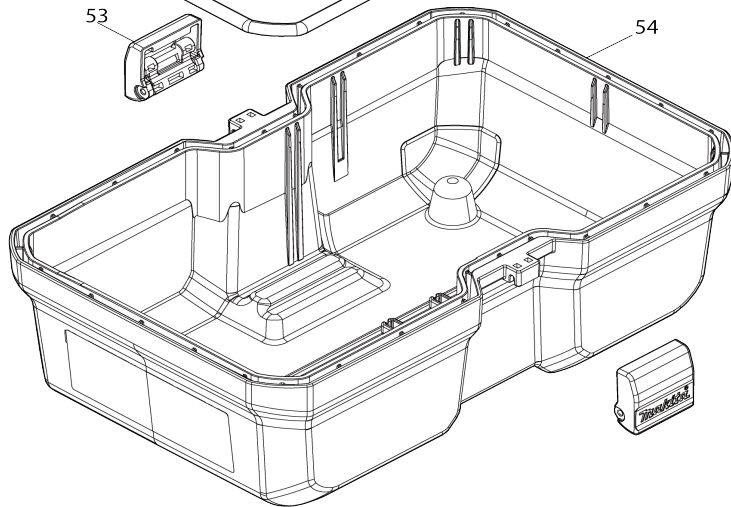
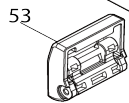
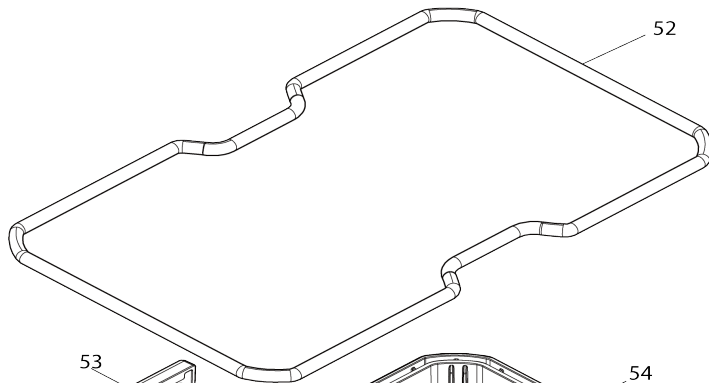
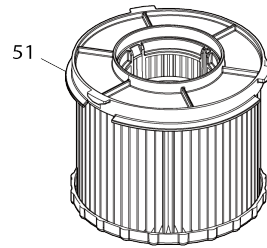
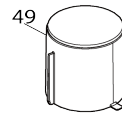
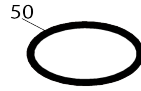
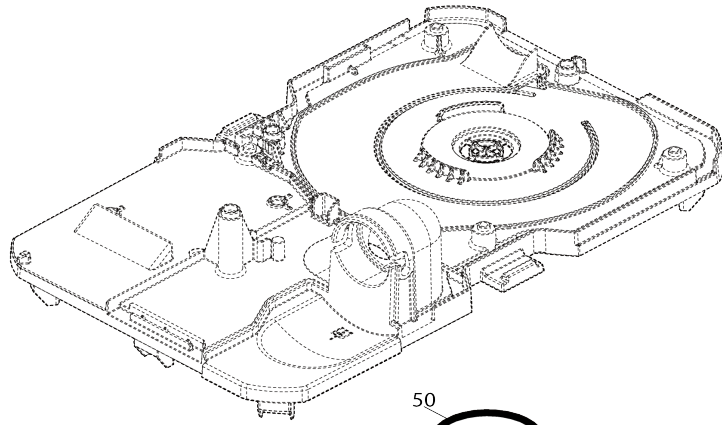


# Model No.VC014GL CORDLESS VACUUM CLEANER



Model No.VC014GL CORDLESS VACUUM CLEANER



# Model No.VC014GL CORDLESS VACUUM CLEANER

Obj. č.	Obj. č.	Popis	Možnost zá měny	Množ ství	Nový/ Starý	Poznámka 1	Poznámka 2
001	4131X6-7	Hose hook		2			
002	137268-6	BATTERY COVER ASSEMBLY		1			
003	8150S1-6	VC014GL NAME PLATE		1			
004	4131X7-5	Handle		1			
005	137312-9	TOP COVER ASSEMBLY		1			
C10	263005-3	vymezovací čep 6		2			
C20	891977-8	CAUTION LABEL		1			
006	266326-2	šroub 4x18=new265995-6		2			
007	451343-7	SWITCH HOLDER		1		dr	
008	650067-4	Switch 1703.4705		1			
009	961062-2	STOP RING E-12		1		pru	
010	961013-5	zajišťovací kroužek		1		zaji	
011	620D39-7	SUB CONTROLLER		1		ovl	
012	213176-6	o kroužek		1		o krou	
013	455733-6	SWITCH LEVER		1			
014	213054-0	o-kroužek 9		1		o-krou	
015	451344-5	SWITCH DIAL		1			
016	620R97-7	Indication circuit		1			
017	1410V6-4	Switch base complete		1			
018	8150S3-2	VC014GL SERIAL NO. LABEL		1			
019	1831K5-9	TERMINAL CASE SET		1			
C10	263005-3	vymezovací čep 6		2			
019		INC. 21					
020	632W77-1	TERMINAL UNIT		1			
021	1831K5-9	TERMINAL CASE SET		1			
C10	263005-3	vymezovací čep 6		2			
021		INC. 19					
022	266326-2	šroub 4x18=new265995-6		2			
023	620R92-7	Controller		1			
024	4131W9-4	Tank cover		1			
025	266374-1	šroub 4x25		8			
026	213A93-6	O-RING 55		1			
027	4131X4-1	Inlet		1			
028	266326-2	šroub 4x18=new265995-6		4			
029	4131W3-6	STAY		1			
030	1410U8-3	Separator complete		1			
C10	422C10-9	BAND DAMPER B		1			
C20	422C11-7	BAND DAMPER C		1			
031	422794-1	RUBBER RING		1			
032	266490-9	TAPPING SCREW PT 2X6		3			
033	183U05-2	MOTOR HOUSING SET		1			
033		INC. 39					
034	620F39-9	CONTROLLER B		1		elektronika VC001-00 5G	
035	632W57-7	Lead unit		1			
036	629C29-1	STATOR		1		stator	
037	652069-6	FLAT HEAD SCREW M3X6		3			
038	266326-2	šroub 4x18=new265995-6		4			

039	183U05-2	MOTOR HOUSING SET		1		
039		INC. 33				
040	619704-9	ROTOR		1		rotor VC001-005G
041	4131X1-7	Fan base		1		
042	266326-2	šroub 4x18=new265995-6		3		
043	313062-2	FLANGE		1		p
044	240243-4	FAN 80		1		ventil
045	253752-4	042086		1		042086
046	252268-6	HEX. NUT M6		1		
047	347D45-4	Fan cover		1		
048	422C08-6	Support ring		1		
049	140G00-1	FLOAT COMPLETE		1		plov
050	422364-6	SEAL RING A		1		t
051	162518-0	FILTER COMPLETE		1		filtr DVC750L
052	422C07-8	Seal ring B		1		
053	162315-4	LATCH		2		
054	1410V9-8	TANK COMPLETE		1		
C10	891978-6	CAUTION LABEL		1		
A01	140G04-3	HOSE COMPLETE		1		
A02	199486-4	SHOULDER BELT SET		1		
A03	4132U6-2	Sash nozzle		1		
A04	458891-7	WIDE NOZZLE		1		
A05	1915T4-4	Wet filter set		1		
A06	1915W5-3	Paper dust bag set		1		
F02	191Y12-5	HOSE COMPLETE SET		1		
F03	1912G4-5	TELESCOPIC PIPE COMPLETE SET		1		
F04	1912G5-3	BENT PIPE COMPLETE SET		1		
F05	1914Y6-9	Rotary brush nozzle set		1		
F06	1914Y7-7	Rotary brush nozzle set		1		
F07	1915G5-1	Caster set		1		
F08	1915G6-9	Hose complete 28-5 set		1		
F12	1915W5-3	Paper dust bag set		1		
F13	191657-9	ROUND BRUSH SET 38 BLK		1		
F14	192236-6	TAPERED NOZZLE SET		1		
F15	192563-1	rovná trubka VC3210L		1		
F16	195432-5	POLY BAG SET(650X650)		1		
F17	195548-6	JOINT 22-38 SET		1		
F21	199486-4	SHOULDER BELT SET		1		
F22	199827-4	PRE FILTER SET		1		

Prosím uveďte objednáč. číslo dílu v objednávce

Datum tisku 29. 07. 2025