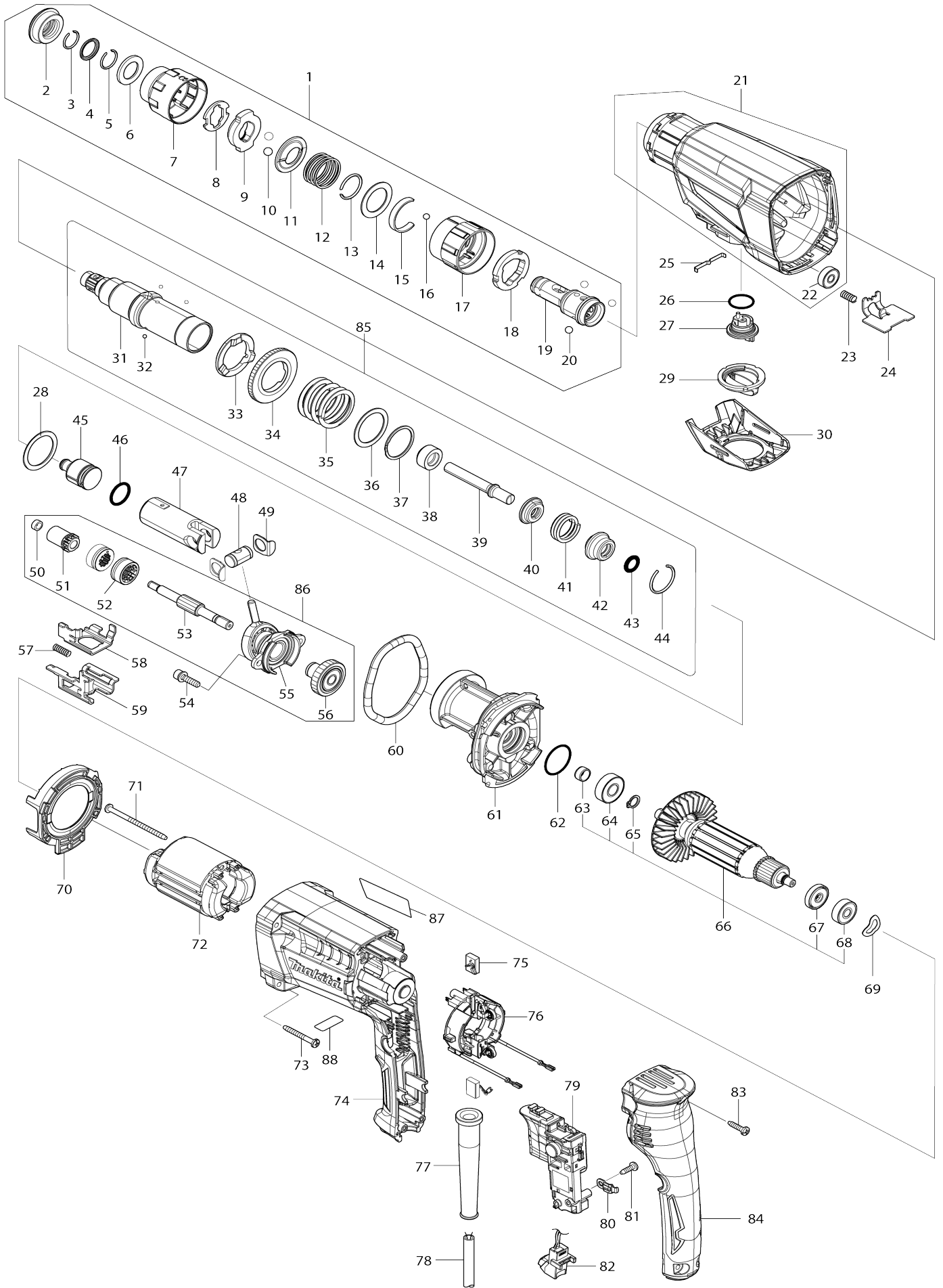


Model No.HR2670FT 26MM COMBINATION HAMMER



Model No.HR2670FT 26MM COMBINATION HAMMER

Obj. č.	Obj. č.	Popis	Možn ost zá měny	Množ ství	Nový/ Starý	Poznámka 1	Poznámka 2
001	127219-7	TOOL HOLDER ASSEMBLY		1			
001		INC. 2-20					
002	422570-3	CAP 35		1			
003	233989-9	kroužek		1		krou	
004	346834-0	WASHER 16		1		podlo	
005	233992-0	segrovka		1		segrovka HR2300	
006	253467-3	WASHER 17		1			
007	459162-5	CHUCK COVER		1			
008	347687-0	PLATE		1			
009	310926-1	STOPPER		1			
010	216022-2	kulička = old 183013		2		kuli	
011	347745-2	GUIDE WASHER		1			
012	232554-1	COMPRESSION SPRING 26		1			
013	233924-7	pružina HR2450T		1		pru	
014	253468-1	FLAT WASHER 24		1			
015	232555-9	LEAF SPRING		1			
016	216018-3	kulička 5.0 BFL/BFT		1		kuli	
017	459159-4	CHANGE COVER A		1			
018	347496-7	CHANGE RING A		1			
019	327264-4	TOOL HOLDER		1			
020	216013-3	kulička 6		3	*	kuli	
020-1	216062-0	STEEL BALL 6	O	3			
021	137222-0	GEAR HOUSING ASS'Y		1		obal p	
021		INC. 22					
022	210143-2	BALL BEARING 626ZZ		1		kuli	
023	233360-7	COMPRESSION SPRING 4		1		pru	
024	347C59-7	LOCK PLATE		1		deska	
025	232286-0	LEAF SPRING		1		pru	
026	213278-8	o-kroužek 17		1		o-krou	
027	137166-4	CHANGE LEVER ASSEMBLY		1		p	
C10	263005-3	vymezovací čep 6		1			
028	267153-0	FLAT WASHER 30		1		podlo	
029	455394-2	CHANGE LEVER CAP		1		v	
030	4130H9-3	CHANGE LEVER COVER		1		kryt p	
031	141W50-5	TOOL HOLDER GUIDE COMPLETE		1			
032	216019-1	kulička pr.3mm		3	*	kuli	
032-1	216061-2	STEEL BALL 3	O	3	*		
032-2	216068-8	STEEL BALL 3	<	3			
033	327D75-1	DRIVING FLANGE		1			
034	227B57-0	SPUR GEAR 40		1			
035	234148-8	COMPRESSION SPRING 31		1		pru	
036	267153-0	FLAT WASHER 30		1		podlo	
037	257932-4	kroužek		1		krou	
038	327D80-8	SLEEVE 9		1			
039	327D82-4	IMPACT BOLT B		1			
040	325792-3	WASHER 10		1		pouzdro HR2611F	
041	234149-6	COMPRESSION SPRING 20		1		pru	

042	325793-1	domeček o kroužku		1		dome	
043	213073-6	o-kroužek 9		1		o-krou	
044	233979-2	kroužek		1		krou	
045	325784-2	úderník		1			
046	213258-4	o-kroužek 17.5		1		o-krou	
047	327D74-3	PISTON CYLINDER		1		v	
048	327D79-3	PISTON JOINT		1			
049	347C60-2	GUIDE PLATE		2		vod	
050	257A41-5	RING 6		1			
051	227B56-2	SPUR GEAR 9		1			
052	310678-4	CLUTCH CAM		2		spojka	
053	327D78-5	CAM SHAFT		1			
054	265D67-1	HEX SOCKET HEAD BOLT M5X20 WIT		2			
055	219036-0	SWASH BEARING 9-15		1			
056	141W51-3	HELICAL GEAR 30 COMPLETE		1			
057	234343-0	COMPRESSION SPRING 5		1		pru	
058	346833-2	CHANGE PLATE B		1		deska B	
059	346832-4	CHANGE PLATE A		1		deska A	
060	213728-3	O-RING 68		1		o krou	
061	141W46-6	INNER HOUSING COMPLETE		1		vnit	
062	213407-3	o-kroužek 26		1		o-krou	
063	257A43-1	SLEEVE 9		1			
064	210059-1	BALL BEARING 6000DDW		1			
065	961006-2	segrovka S-10		1		segrovka S-10= old. 2 57408-1	
066	510613-4	ARMATURE ASS'Y 240V		1		rotor	
066		INC. 63-65,67,68					
067	681652-2	podložka JR180 = new681670-0		1			
068	210023-2	kuličkové ložisko 627 DDW		1			
069	267804-5	podložka HR2230/2460/2470		1		podlo	
070	4130J1-3	BAFFLE PLATE		1		deska	
071	266340-8	TAPPING SCREW 4X65		2			
072	634864-6	FIELD 240V		1		rotor	
073	266053-1	šroub 4x35=new266351-3		4			
074	4130H7-7	MOTOR HOUSING		1			
075	194074-2	uhlíky CB-325		1		uhl	
076	632V64-4	BRUSH HOLDER UNIT		1		dr	
077	682566-8	ochranná průchodka		1		chr	
078	665890-4	přívodní kabel 1.0-2-4.0		1			
079	651086-3	SWITCH TG853TB-2		1		vyp	
080	687682-1	STRAIN RELIEF		1		kabelov	
081	266385-6	TAPPING SCREW 4X14		1	*		
081-1	265B74-2	TAPPING SCREW 4X14	O	1			
082	631937-6	LIGHT CIRCUIT		1		LED dioda	
083	266326-2	šroub 4x18=new265995-6		3	*		
083-1	265B67-9	TAPPING SCREW 4X18	O	3			
084	4130H8-5	HANDLE COVER		1		kryt rukojeti	
085	137230-1	TOOL HOLDER ASS'Y		1	*	dr	
085		INC. 31-44			*		
085-1	137260-2	TOOL HOLDER ASS'Y	<	1		dr	
085-1		INC. 31-44					

086	137224-6	CAM SHAFT ASS'Y		1	va	
086		INC. 50-53,55,56				
087	8147V7-4	HR2670FT NAME PLATE		1		
088	8147V8-2	HR2670FT SERIAL NO. LABEL		1		
A01	122G56-6	GRIP ASSEMBLY		1		
A02	191F46-4	DRILL CHUCK SET		1		
A03	321144-6	hloubkový doraz HR2020		1	hloubkov	
A04	821925-3	PLASTIC CARRYING CASE		1		
C10	417724-5	sponka ke kufru 6317DW		2	sponka ke kufru HR2 450 HR2470 HR2470T	
B01	1915A6-7	HAMMER SERVICE KIT		1		
C10	195127-0	OIL VESSEL SET		1		
B01		INC. 2,3,5,10,43,44,46,75				
F08	1914L8-4	DUSTCUP SET		1		
F09	1914M0-7	DUSTCUP SET		1		
G12	1914X3-8	DUST EXTRACTION PAD SET		1		

Prosím uveďte objednáací číslo dílu v objednávce

Datum tisku 21. 03. 2025