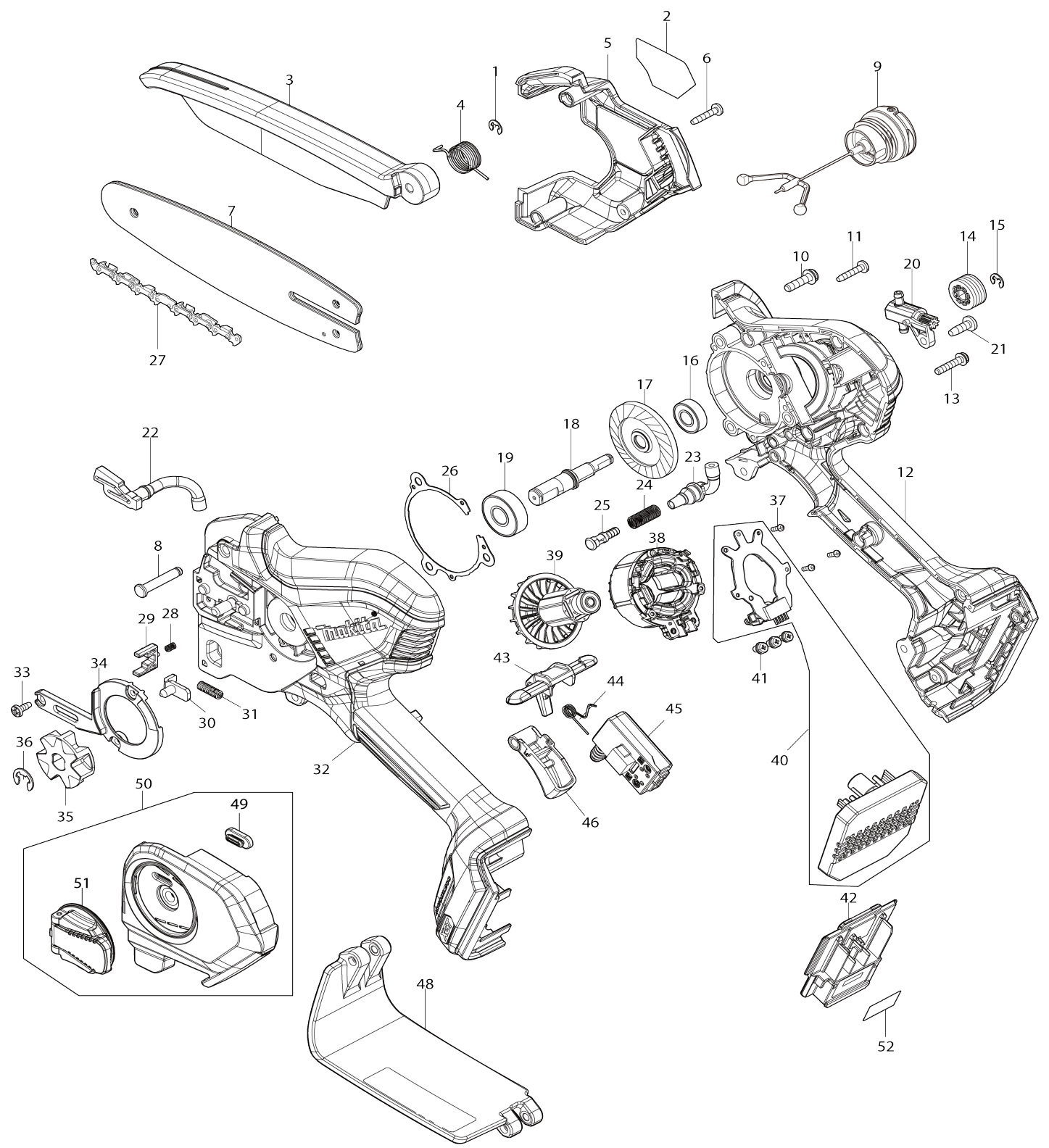


# Model No. UC029G 150MM CORDLESS PRUNING SAW



**Model No.UC029G 150MM CORDLESS PRUNING SAW**

Obj. č.	Obj. č.	Popis	Možn ost zá měny	Množ ství	Nový/ Starý	Poznámka 1	Poznámka 2
001	961011-9	zajišťovací kroužek		1		zaji	
002	8148C7-7	UC029G NAME PLATE		1			
003	413T68-1	SAFETY COVER		1		kryt	
004	232785-2	TORSION SPRING 14		1		pru	
005	4131K3-2	HOUSING R COVER		1		kryt R	
006	266429-2	TAPPING SCREW 3X16		3			
007	1912F1-4	GUIDE BAR 6 SET		1			
008	256A31-5	SHOULDER PIN 5		1			
009	126832-8	TANK CAP ASSEMBLY		1		v	
C10	213A11-4	O-RING 25		1			
010	911128-8	P.H.SCREW M4X16 WITH WR		3			
011	266429-2	TAPPING SCREW 3X16		7			
012	1831A3-3	HOUSING SET		1		obal	
C10	263005-3	vymezovací čep 6		2			
C20	252126-6	HEX. LOCK NUT M4-7		1		matka	
012		INC. 32					
013	911138-5	P.H.SCREW M4X20 WITH WR		2			
014	226884-0	WORM GEAR		1		p	
015	961011-9	zajišťovací kroužek		1		zaji	
016	211166-3	BALL BEARING 698DDW		1		lo	
017	227A17-6	SPIRAL BEVEL GEAR 53		1		ozuben	
018	327A89-2	SPINDLE		1		v	
019	210059-1	BALL BEARING 6000DDW		1			
020	141N25-0	OIL PUMP COMPLETE		1		olejov	
021	266427-6	TAPPING SCREW 4X12		1			
022	422968-4	OIL TUBE 3-60		1		hadi	
023	422969-2	OIL TUBE 3-25		1		hadi	
024	232774-7	COMPRESSION SPRING 6		1		pru	
025	413L02-3	NIPPLE		1		knofl	
026	422B95-9	GASKET		1		t	
027	1912E8-3	SAW CHAIN 6 SET		1			
028	233211-4	Compression Spring 2		1		pru	
029	413M02-9	STOPPER		1		doraz	
030	347A69-2	TENSION SLIDE		1		kluz	
031	232907-4	COMPRESSION SPRING 4		1		pru	
032	1831A3-3	HOUSING SET		1		obal	
C10	263005-3	vymezovací čep 6		2			
C20	252126-6	HEX. LOCK NUT M4-7		1		matka	
032		INC. 12					
033	266492-5	šroubek		3			
034	4131L0-5	COVER		1		kryt	
035	1911W5-9	SPROCKET 7 SET		1			
036	961013-5	zajišťovací kroužek		1		zaji	
037	266490-9	TAPPING SCREW PT 2X6		3			
038	629C88-5	STATOR		1		stator	
039	619881-7	ROTOR		1		rotor	
040	620R15-5	CONTROLLER		1		ovl	
041	652069-6	FLAT HEAD SCREW M3X6		3			

042	632W07-2	TERMINAL UNIT		1		kontakt	
043	413L98-4	LOCK OFF LEVER		1		p	
044	232784-4	TORSION SPRING 6		1		pru	
045	632V97-9	SWITCH UNIT		1		vyp	
046	413L97-6	SWITCH LEVER		1		p	
048	1410H0-8	REAR HAND GUARD COMPLETE		1		chr	
C10	8081K5-5	CAUTION LABEL		1			
049	422970-7	GROMMET		1			
050	1831F0-4	SPROCKET COVER SET		1		kryt	
C10	8085Y3-1	INDICATION LABEL		1			
050		INC. 49,51					
051	1410G9-3	NUT COMPLETE		1			
052	8148C9-3	UC029G SERIAL NO. LABEL		1			
A01	D-70948	FILE HOLDER SET 4.0MM(5/32")		1			
A03	413T67-3	GUIDE BAR CASE 175		1			
E01	807E85-5	SOUND 92DB LABEL		1			
F03	1913K4-9	HOLSTER SET		1			
F05	1914Y8-5	HOOK COMPLETE SET		1			

Prosím uveďte objednáací číslo dílu v objednávce

Datum tisku 17. 02. 2025