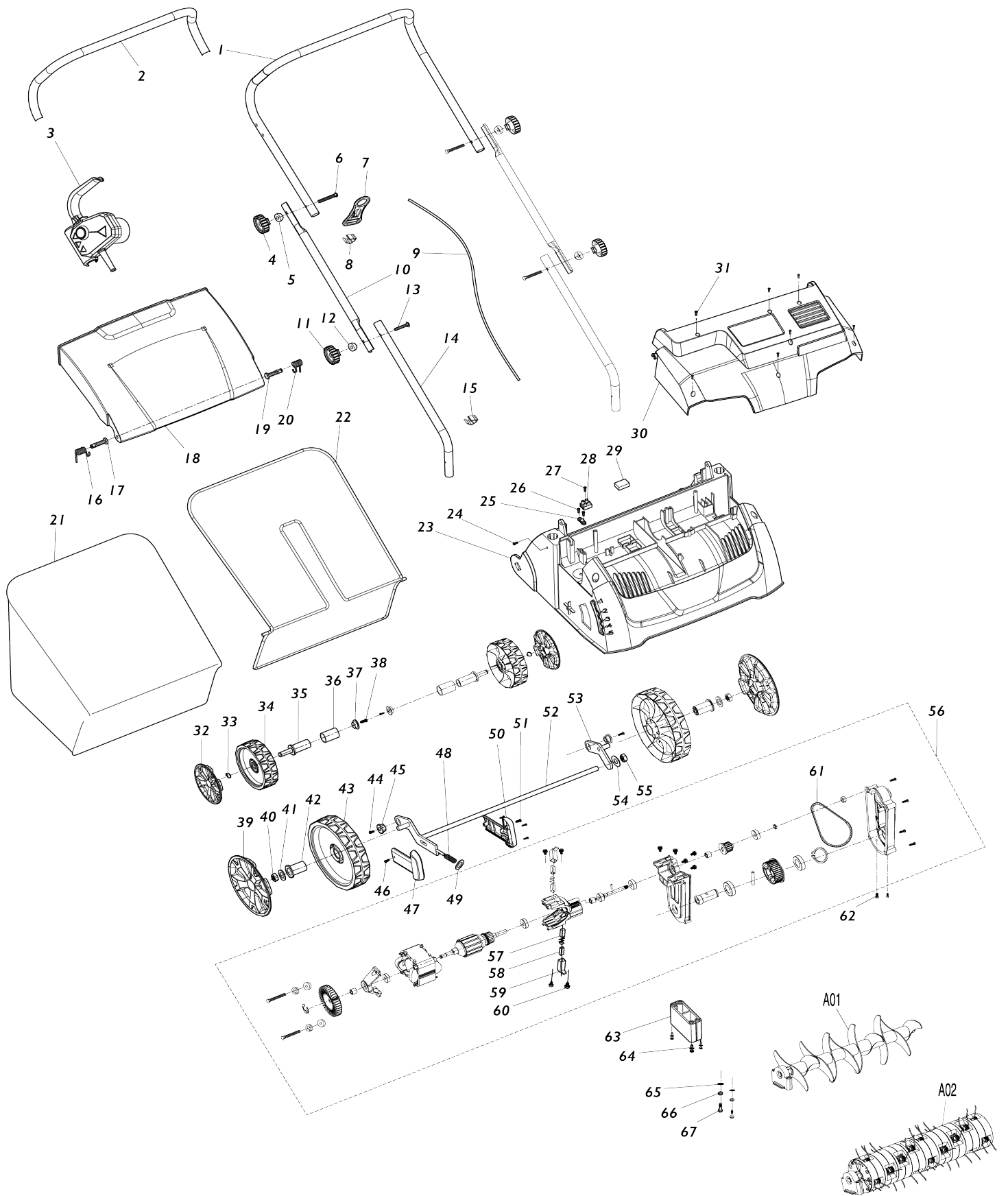


Model No.UV3200 ELECTRIC SCARIFIER



Model No.UV3200 ELECTRIC SCARIFIER

Obj. č.	Obj. č.	Popis	Možnost záměny	Množství	Nový/ Starý	Poznámka 1	Poznámka 2
001	652023913	UPPER HANDLE		1			
002	652024706	HANDLE SHEATH		1			
003	652024703	SWITCH BOX ASSY (EU PLUG)		1	*	p	
C10	652023791	TAPPING SCREW 4X18		6	*		
C20	652023982	CORD CLAMP		1	*		
C30	652026443	TAPPING SCREW 4X12		2	*		
003-1	652024703	SWITCH BOX ASSY (EU PLUG)	O	1		p	
C10	652023791	TAPPING SCREW 4X18		6			
C20	652023982	CORD CLAMP		1			
C30	652026443	TAPPING SCREW 4X12		2			
004	652024072	KNOB NUT M6		2			
005	652024730	PLASTIC SADDLE WASHER 8		2	*	matka	
005-1	YA00000669	PLASTIC SADDLE WASHER 8	O	2		matka =old 652024730	
006	652023808	SQUARE NECKED BOLT M6X42		2	*		
006-1	652023808	SQUARE NECKED BOLT M6X42	O	2			
007	652023811	CABLE HANGER		1		dr	
008	652024705	CABLE CLIP		1		spona	
009	652023787	CONNECTION WIRE		1			
010	652023912	MIDDLE HANDLE		2			
011	652024072	KNOB NUT M6		2			
012	652024730	PLASTIC SADDLE WASHER 8		2	*	matka	
012-1	YA00000669	PLASTIC SADDLE WASHER 8	O	2		matka =old 652024730	
013	652023808	SQUARE NECKED BOLT M6X42		2	*		
013-1	652023808	SQUARE NECKED BOLT M6X42	O	2			
014	652023911	LOWER HANDLE		2		spodn	
015	652024705	CABLE CLIP		1		spona	
016	652023990	TORSION SPRING LEFT(REAR FLAP)		1			
017	652023989	PLASTIC PIN		1			
018	652023994	REAR FLAP		1			
019	652023989	PLASTIC PIN		1			
020	652023991	TORSION SPRING RIGHT(REAR FLAP)		1			
021	652025250	GRASS CATCHER BAG MAKITA		1	*		
021-1	YA00000670	GRASS CATCHER BAG MAKITA	O	1			
022	652024707	GRASS CATCHER BAG SUPPORT		1			
023	652025251	DECK BLUE		1	*		
023-1	YA00000687	DECK BLUE	O	1			
024	652026446	TAPPING SCREW 5X25 WITH WR		2	*		
024-1	652024710	TAPPING SCREW 5X25 WITH WR	O	2			
025	652023982	CORD CLAMP		1			
026	652026443	TAPPING SCREW 4X12		2			
027	652023983	TAPPING SCREW 3X18		1	*		
027-1	YA00001312	TAPPING SCREW 3X18	O	1			
028	652023826	TERMINAL BLOCK		1	*		
028-1	YA00001313	TERMINAL BLOCK	X	1			
029	652024708	CIRCUIT BOARD		1		elektronika	

030	652023993	MOTOR COVER		1		kryt EV3213 UV3200	
031	652024720	TAPPING SCREW 4X16		7	*		
031-1	652024709	TAPPING SCREW 4X16	O	7			
032	652023904	REAR WHEEL COVER		2			
033	652023934	RETAINING RING S-10		2	*		
033-1	652024714	RETAINING RING S-10	O	2		podlo	
034	652023986	REAR WHEEL		2		zadn	
035	652023988	REAR WHEEL AXLE		2		h	
036	652023987	REAR WHEEL AXLE SLEEVE		2		pouzdro	
037	652023985	REAR AXLE CAP		2		pojistn	
038	652026442	TAPPING SCREW 5X16 WITH WR		2	*		
038-1	YA00000671	TAPPING SCREW 5X16 WITH WR	O	2			
039	652023905	FRONT WHEEL COVER		2		Kryt kola FH2500	
040	652023973	NYLON INSERT HEX LOCK NUT M 6		2			
041	652023937	FLAT WASHER 6		2	*	podlo	
041-1	YA00000672	FLAT WASHER 6	O	2		podlo	
042	652023981	FRONT WHEEL AXLE		2			
043	652023980	FRONT WHEEL		2			
044	652024712	TAPPING SCREW 5X18		2			
045	652023979	FRON AXLE CAP		2			
046	652026443	TAPPING SCREW 4X12		1			
047	652023978	HEIGHT ADJUSTER GRIP OUTSIDE		1			
048	652023977	HEIGHT ADJUSTER SPRING		1			
049	652023803	FLAT WASHER 5		1			
050	652023976	HEIGHT ADJUSTER GRIP INSIDE		1			
051	652026443	TAPPING SCREW 4X12		3			
052	652023975	FRONT WHEEL AXLE RIGHT		1			
053	652023974	FRONT WHEEL AXLE LEFT		1			
054	941201-0	podložka 8		1	*	podlo	
055	652024713	NYLON INSERT HEX LOCK NUT M 8		1			
056	652024715	MOTOR ASSY 230V		1		motor UV3200	
056		INC. 57-61			*		
056		INC.57-61,68					
057	652023960	CARBON BRUSH 2PCS/SET		1	*		
057-1	YA00001196	CARBON BRUSH 2PCS/SET	S	1		uhl	
058	652023959	BRUSH HOLDER INSIDE		2			
059	652024716	BRUSH HOLDER OUTSIDE		2			
060	652023957	TAPPING SCREW 4X12 WITH WR		4			
061	652023947	COGGED BELT 16 X 410 LI		1			
062	652026444	TAPPING SCREW 4X16 WITH WR		2	*		
062-1	YA00000673	TAPPING SCREW 4X16 WITH WR	O	2			
063	652024717	LOWER BEARING BOX RETAINER		1		pouzdro lo	
064	652023939	TAPPING SCREW 4X20 WITH WR		4			
065	652023937	FLAT WASHER 6		2		podlo	
066	652023936	SPRING WASHER 6		2		podlo	
067	652023935	HEX. BOLT M6X45		2			
068	652024709	TAPPING SCREW 4X16		4			
A01	652024718	vertikutační válec EV-3213		1			
C10	YA00000677	BEARING ASSY FOR DRUM		1			

A02	652024719	provzdušňovací válec EV-3213		1			
C10	YA00000677	BEARING ASSY FOR DRUM		1			

Prosím uveďte objednáč. číslo dílu v objednávce

Datum tisku 14. 02. 2025