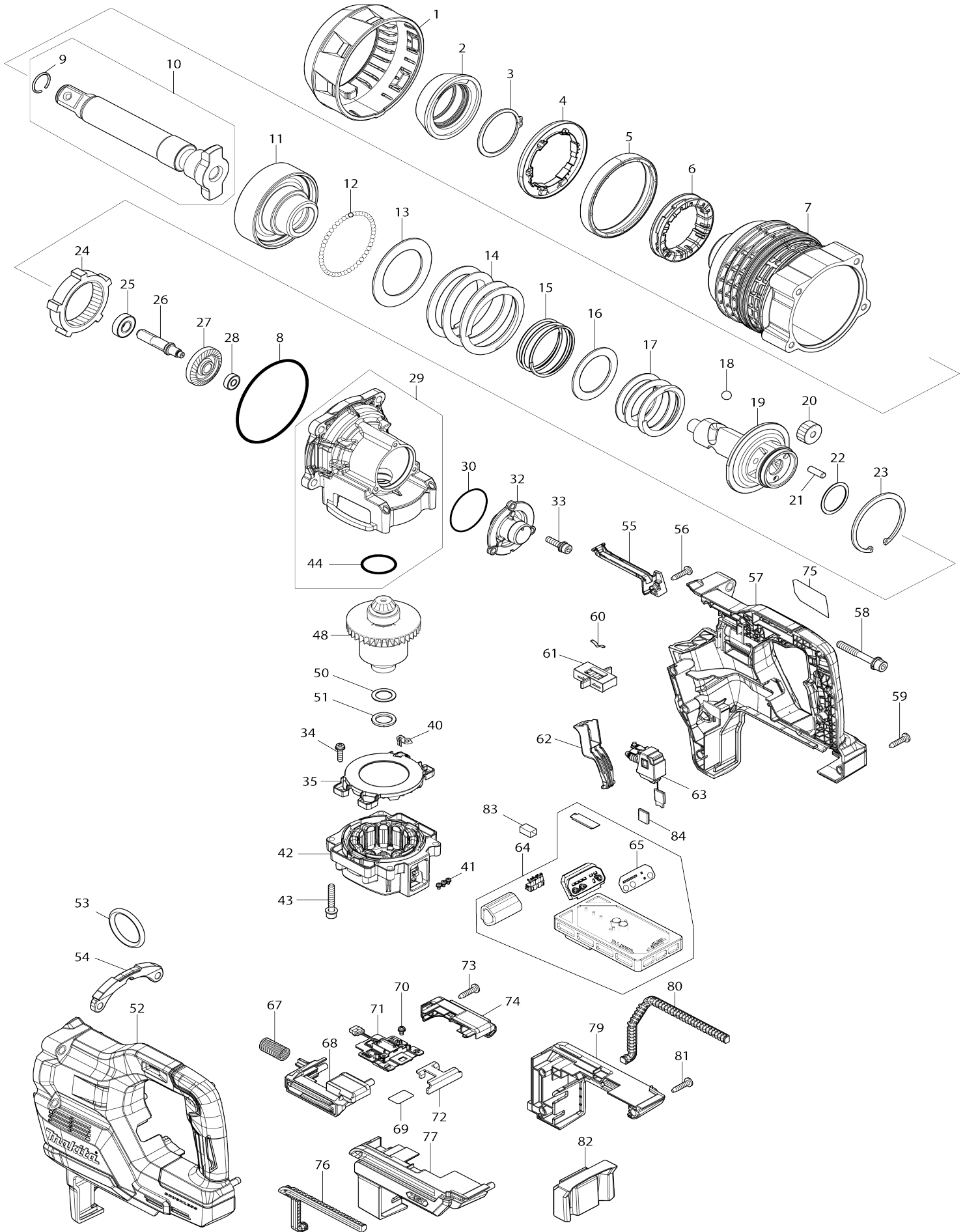


Model No.TW010G CORDLESS IMPACT WRENCH



Model No.TW010G CORDLESS IMPACT WRENCH

Obj. č.	Obj. č.	Popis	Možn ost zá měny	Množ ství	Nový/ Starý	Poznámka 1	Poznámka 2
001	422B76-3	BUMPER D		1		n	
002	422B75-5	BUMPER C		1		n	
003	961254-3	RETAINING RING (EXT) S-58		1			
004	620P36-5	LED CIRCUIT		1		led okruh	
005	422B71-3	BUFFER RUBBER A		1		vyrovn	
006	422B72-1	BUFFER RUBBER B		1		pry	
007	141W71-7	HAMMER CASE COMPLETE		1	*	pouzdro	
007-1	1411R8-8	HAMMER CASE COMPLETE	<	1		pouzdro	
008	213914-6	O-RING 100		1		krou	
009	231921-7	pojistný kroužek 22		1		pojistn	
010	137142-8	ANVIL L ASS'Y		1			
010		INC. 9					
011	327D89-0	HAMMER		1		kladivo	
012	216018-3	kulička 5.0 BFL/BFT		49		kuli	
013	253609-9	FLAT WASHER 60A		1		ploch	
014	232874-3	COMPRESSION SPRING 71		1		pru	
015	232875-1	COMPRESSION SPRING 61		1		pru	
016	253610-4	FLAT WASHER 48		1		ploch	
017	232873-5	COMPRESSION SPRING51		1		tla	
018	216010-9	kulička 10.3 6910/TW1000		2		kuli	
019	327D88-2	SPINDLE		1		v	
020	227B64-3	SPUR GEAR 24		3		vzp	
021	256197-5	čep 7 = old 331507-8		3			
022	267039-8	FLAT WASHER 32		1			
023	962352-6	segrovka vnitřní R-75		1		segrovka vnit	
024	227B58-8	INTERNAL GEAR 57		1		vnit	
025	211131-2	kuličkové ložisko 6001DDW =old 922041		1		lo	
026	227B63-5	SPUR GEAR 9		1		vzp	
027	227B61-9	SPIRAL BEVEL GEAR 31		1		ozuben	
028	211021-9	BALL BEARING 607LLB		1			
029	137146-0	INTERNAL GEAR CASE ASSY		1	*	vnit	
C10	263002-9	vymezovací čep 4		1	*		
029		INC. 44			*		
029-1	137271-7	INTERNAL GEAR CASE ASS'Y	O	1			
C10	263002-9	vymezovací čep 4		1			
029-1		INC. 44					
030	213604-1	o-kroužek 50		1		o-krou	
032	137161-4	BEARING COVER ASSEMBLY		1		v	
C10	263002-9	vymezovací čep 4		1			
033	266903-0	HEX.S.HEAD BOLT M5X20 WITH WR		3			
034	911128-8	P.H.SCREW M4X16 WITH WR		4			
035	4130L1-7	BAFFLE PLATE		1		deska	
036	4130L0-9	MOTOR HOUSING INNER		1	*		
037	629C72-0	STATOR		1	*		
038	620P37-3	CONTROLLER B		1	*		
039	687B69-9	STOPPER		1	*	zar	
040	654910-9	EARTH PLATE		1		deska	

041	652031-1	PAN HEAD SCREW M3X6		3	*		
041-1	652077-7	FLAT HEAD SCREW M3X6	O	3			
042	312F54-4	MOTOR HOUSING		1	*		
042-1	1410X4-2	MOTOR HOUSING COMPLETE	S	1	*	obal motoru se stato rem a elektronikou	
042-2	1412A8-5	MOTOR HOUSING COMPLETE	<	1		obal motoru se stato rem a elektronikou	
043	265D24-9	H. S. H. BOLT M5X30 WITH WRM		4			
044	213460-9	o-kroužek 35		1		o-krou	
048	519860-4	ROTOR ASS'Y		1	*	rotor ass'y	
048-1	519860-4	ROTOR ASS'Y	O	1		rotor ass'y	
050	253198-4	podložka 18 JS3200/2704		1		podlo	
051	261129-9	plastová podložka 18 2704		1		plastov	
052	1830L3-4	HOUSING SET		1	*	obal	
052		INC. 57			*		
052-1	1831F9-6	HOUSING SET	<	1		obal	
052-1		INC. 57					
053	282022-4	RING 40		1			
054	162D36-2	BRACKET		1		zar	
055	4130L2-5	LEAD COVER		1	*	kryt	
055-1	4133K1-8	LEAD COVER A	O	1			
056	266326-2	šroub 4x18=new265995-6		1			
057	1830L3-4	HOUSING SET		1	*	obal	
057		INC. 52			*		
057-1	1831F9-6	HOUSING SET	<	1		obal	
057-1		INC. 52					
058	265D71-0	H.S.H.BOLT M8X60 WITH WRM		4			
059	266326-2	šroub 4x18=new265995-6		12			
060	232872-7	LEAF SPRING		1		listov	
061	141W75-9	F/R CHANGE LEVER COMPLETE		1		p	
062	4130L3-3	SWITCH LEVER		1		sp	
063	141W69-4	SWITCH COMPLETE		1	*	p	
063-1	1411Y4-5	SWITCH COMPLETE	S	1	*		
064	137160-6	CONTROLLER ASS'Y		1	*		
064		INC. 65			*		
064-1	137245-8	CONTROLLER ASS'Y	S	1	*		
064-1		INC. 65			*		
064-2	137285-6	CONTROLLER UNIT ASS'Y	S	1		ovl	
064-2		INC. 65					
065	8012S9-8	SWITCH LABEL		1			
066	266490-9	TAPPING SCREW PT 2X6		3	*		
067	232650-5	COMPRESSION SPRING 13		1		pru	
068	1830L0-0	BATTERY HOLDER SET		1		dr	
C10	263005-3	vymezovací čep 6		2			
068		INC. 74					
069	8146J7-4	TWO10G SERIAL NO.LABEL		1			
070	652031-1	PAN HEAD SCREW M3X6		2			
071	632T08-2	TERMINAL UNIT		1		patice VC001-005G	
072	347C62-8	SUPPORT PLATE		1		deska	
073	266326-2	šroub 4x18=new265995-6		2			
074	1830L0-0	BATTERY HOLDER SET		1		dr	
C10	263005-3	vymezovací čep 6		2			

074		INC. 68				
075	8146J5-8	TW010G NAME PLATE		1		
076	422B69-0	CUSHION RUBBER L		1		pry
077	1830L1-8	BATTERY HOUSING SET		1		pouzdro akumul
077		INC. 79				
079	1830L1-8	BATTERY HOUSING SET		1		pouzdro akumul
079		INC. 77				
080	422B70-5	CUSHION RUBBER R		1		pry
081	266326-2	šroub 4x18=new265995-6		3		
082	422642-4	CUSHION RUBBER		1		guma
083	685725-3	molitanový kryt kondenzátoru		1		molitanov
084	424248-4	SPONGE SHEET 15-25	S	1	*	
A01	122G63-9	SIDE HANDLE ASSEMBLY		1		

Prosím uveďte objednáací číslo dílu v objednávce

Datum tisku 14. 02. 2025