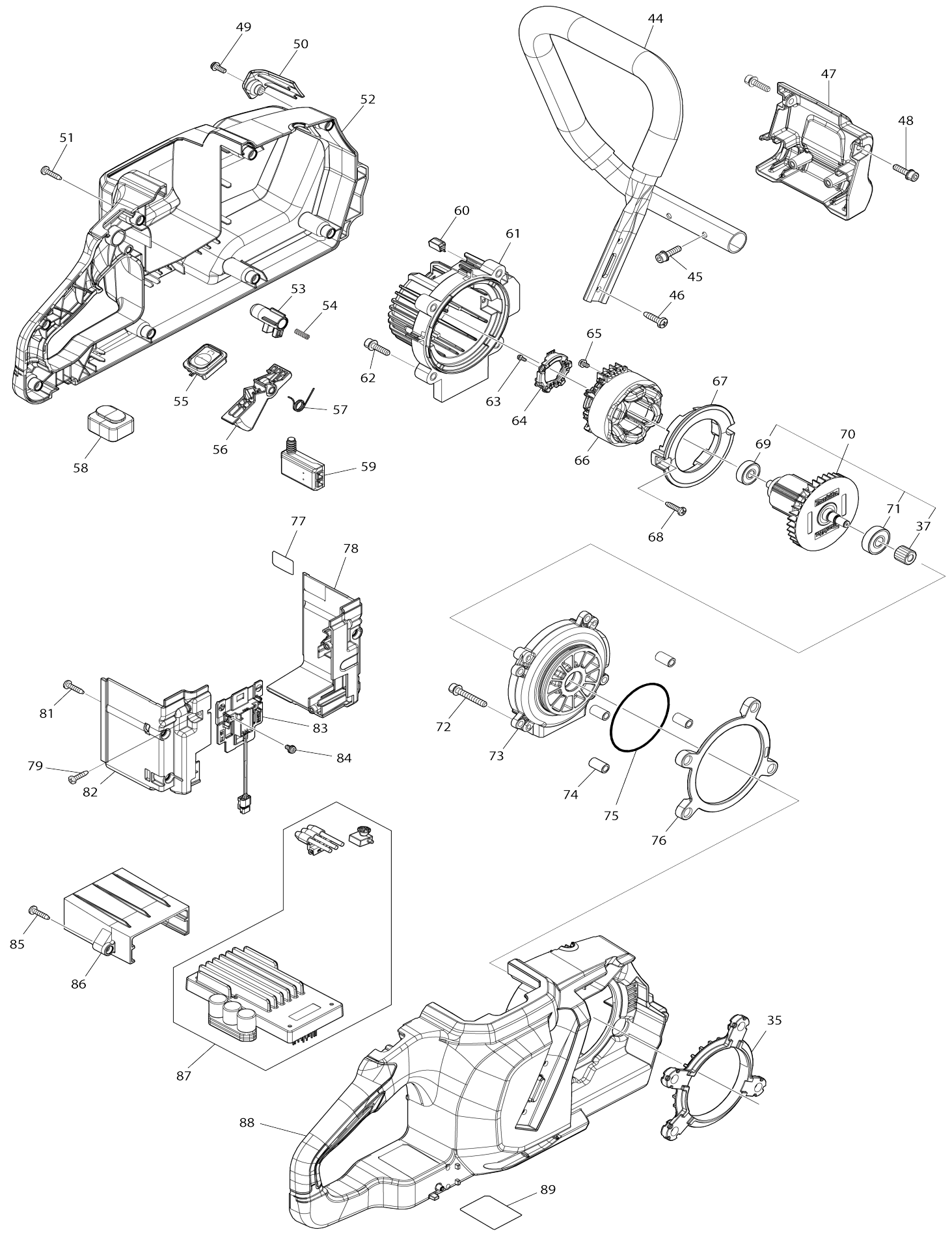


Model No.CE004G 305MM CORDLESS POWER CUTTER



Model No.CE004G 305MM CORDLESS POWER CUTTER

Obj. č.	Obj. č.	Popis	Možn ost zá měny	Množ ství	Nový/ Starý	Poznámka 1	Poznámka 2
001	922243-3	Hex. Socket Head Bolt M5		1			
002	413Y26-7	WHEEL COVER GRIP		1			
003	122G30-4	HOSE ASSEMBLY		1			
004	265C26-9	HEX.BOLT M10X21		2			
005	252306-4	HEX.NUT M10		2		matice m10	
006	266326-2	šroub 4x18=new265995-6		2			
007	266976-3	HEX. BOLT M8X25		1			
008	224635-5	FLANGE 50		2			
009	327D39-5	SPINDLE		1			
010	211244-9	ložisko ventilátoruBO6030=old211239-2		1		lo	
011	312F61-7	BEARING RETAINER		1			
012	261178-6	POLYACETAL WASHER 38		1			
013	312F06-5	WHEEL COVER 305		1			
014	137186-8	PIN CAP ASS'Y		1			
015	233089-5	vinutá pružina 12		1		vinut	
017	961012-7	zajišťovací kroužek		1			
018	312F05-7	CUTTING DEVICE		1			
019	261178-6	POLYACETAL WASHER 38		1			
020	422B46-2	RUBBER RING 39		1			
021	257A32-6	RING 35		1			
022	210245-4	BALL BEARING 6801LLU		1			
023	257A31-8	RING 12		1			
024	347C25-4	PULLY BOTTOM PLATE		1			
025	222212-7	PULLEY 21-30.7		1			
026	347C26-2	PULLEY PLATE 36		1			
027	931402-8	matka M8 = old 481003		1			
028	227B48-1	INTERNAL GEAR 72		1			
029	210301-0	ložisko=old211275-8		1		lo	
030	222213-5	PULLEY 21-27.5		1			
031	327D38-7	PULLEY PLATE 32		1			
032	211092-6	kuličkové ložisko 629DDW		1			
033	312F02-3	PULLEY COVER		1			
034	922233-6	H.S.H.BOLT M5X20 WITH WR		3			
035	422B44-6	DAMPER A		1			
036	253599-6	FLAT WASHER 20		1			
037	227B46-5	SPUR GEAR 16		1			
038	227B47-3	SPUR GEAR 27		4			
039	212265-4	NEEDLE CAGE 508		4		jehlov	
040	141V25-8	CARRIER COMPLETE		1			
041	225112-0	SYNCHRO BELT 20-575		1			
042	137119-3	BELT COVER ASSEMBLY		1			
C10	265B09-3	H.S. HEAD BOLT M5X30 WITH WR		5			
044	327D37-9	FRONT GRIP 26		1			
045	922233-6	H.S.H.BOLT M5X20 WITH WR		2			
046	266420-0	TAPPING SCREW 5X20		2			
047	312F04-9	STAND SUPPORT		1			
048	922233-6	H.S.H.BOLT M5X20 WITH WR		2			

049	911118-1	šroub M4x12		1		
050	413Y18-6	LENS		1		
051	266326-2	šroub 4x18=new265995-6		8		
052	1830N5-4	HOUSING SET		1		
D10		INC. 88				
053	413Y21-7	LOCK OFF BUTTON		1		
054	232444-8	COMPRESSION SPRING 4		1		
055	141V21-6	SWITCH CIRCUIT COMPLETE		1		
056	413Y20-9	SWITCH LEVER		1		
057	232854-9	TORSION SPRING 10		1		
058	422823-0	REAR FOOT		1	zadn	
059	632V44-0	SWITCH UNIT		1		
060	620N97-3	LED CIRCUIT		1		
061	413Y19-4	MOTOR HOUSING		1		
062	922233-6	H.S.H.BOLT M5X20 WITH WR		4		
063	652119-7	PAN HEAD SCREW M2X6		3		
064	620P38-1	SENSOR UNIT		1		
065	652069-6	FLAT HEAD SCREW M3X6		3		
066	629C70-4	STATOR		1		
067	413Y22-5	BAFFLE PLATE		1		
068	266326-2	šroub 4x18=new265995-6		2		
069	210023-2	kuličkové ložisko 627 DDW		1		
070	519856-5	ROTOR ASS'Y		1		
D10		INC. 37,69,71				
071	211092-6	kuličkové ložisko 629DDW		1		
072	922258-0	H.S.H.BOLT M5X35 WITH WR		4		
073	312F00-7	BEARING BOX		1		
074	257A33-4	SLEEVE 6		4		
075	213720-9	o-kroužek 67		1	o-krou	
076	422B45-4	DAMPAR B		1		
077	8146N9-8	CE004G SERIAL NO.LABEL		1		
078	1830M9-9	TERMINAL BOX SET		1		
C10	263005-3	vymezovací čep 6		2		
D10		INC. 82				
079	266326-2	šroub 4x18=new265995-6		2		
081	266326-2	šroub 4x18=new265995-6		4		
082	1830M9-9	TERMINAL BOX SET		1		
C10	263005-3	vymezovací čep 6		2		
D10		INC. 78				
083	632V23-8	TERMINAL UNIT		1		
084	652031-1	PAN HEAD SCREW M3X6		2		
085	266326-2	šroub 4x18=new265995-6		2		
086	413Y25-9	CONTROLLER CASE		1		
087	620N99-9	CONTROLLER		1		
088	1830N5-4	HOUSING SET		1		
D10		INC. 52				
089	8146N8-0	CE004G NAME PLATE		1		
A01	122G62-1	WRENCH HOLDER ASSEMBLY		1		
A02	123121-2	COUPLING SLEEVE		1		
A03	782039-2	BOX WRENCH 13-19		1		
A04	1914A3-7	RING SET		1		

A05	224636-3	FLANGE 80		2			
-----	----------	-----------	--	---	--	--	--

Prosím uveďte objednáčíslo dílu v objednávce

Datum tisku 10. 09. 2024