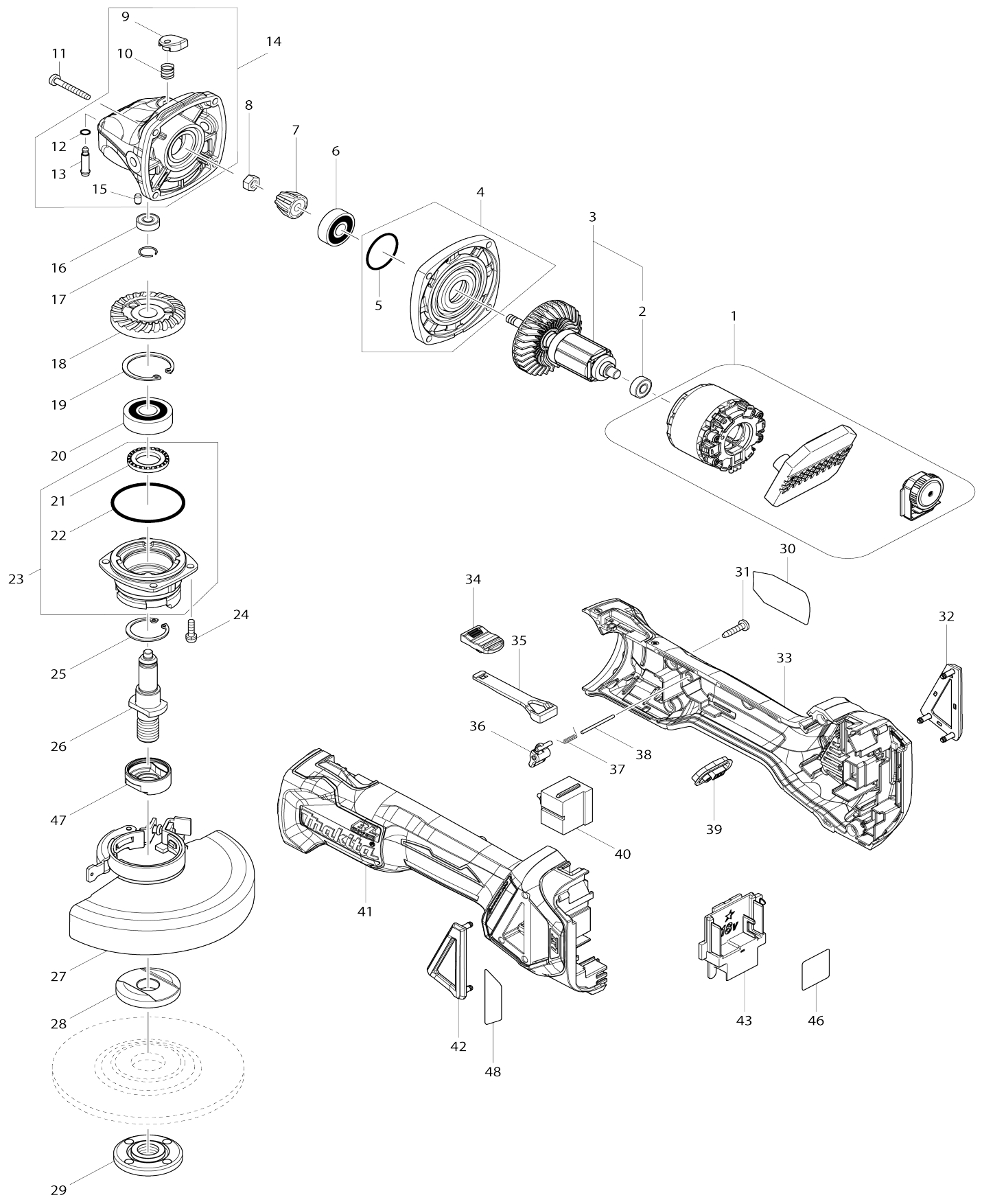


# Model No. DGA513 125MM CORDLESS ANGLE GRINDER



# Model No.DGA513 125MM CORDLESS ANGLE GRINDER

Obj. č.	Obj. č.	Popis	Možnost záměny	Množství	Nový/ Starý	Poznámka 1	Poznámka 2
001	629298-6	STATOR COMPLETE		1	*		
001-1	629B61-9	STATOR	S	1		stator=old629201-7	
002	210169-4	BALL BEARING 607LLB		1		lo	
003	510329-1	ROTOR ASS'Y		1	*	rotor DGA504 = old 519354-9	
D10		INC. 2					
003-1	510329-1	ROTOR ASS'Y	O	1		rotor DGA504 = old 519354-9	
D10		INC. 2					
004	135930-7	GEAR HOUSING COVER ASSEMBLY		1	*		
D10		INC. 5					
004-1	136170-0	GEAR HOUSING COVER ASS'Y	O	1			
D10		INC. 5					
005	213445-5	o-kroužek 26		1	*		
005-1	213407-3	o-kroužek 26	O	1		o-krou	
006	210042-8	BALL BEARING 629LLB		1			
007	227541-3	pastorek = old 227464-5		1	*		
007-1	226861-2	SPIRAL BEVEL GEAR 10	S	1		pastorek = old 227464-5=old227541-3	
008	252186-8	matka 9554-9558		1		matka 9554-9558	
009	417771-6	tlačítko aretace MT952		1		tla	
010	233072-2	vinutá pružina 8		1	*	vinut	
010-1	233376-2	pružina MT952	O	1		pru	
011	266361-0	šroubek 4x30		4	*		
011-1	265B70-0	TAPPING SCREW 4X30	O	4			
012	213960-9	o-kroužek 9554-9558NB		1		o-krou	
013	256546-6	SHOULDER PIN 4		1			
014	135929-2	GEAR HOUSING ASSEMBLY		1		obal	
D10		INC. 9,10,12,13,15					
015	263002-9	vymezovací čep 4		1			
016	210033-9	ložisko 696ZZ		1		lo	
017	233950-6	pružina		1		pru	
018	227641-9	SPIRAL BEVEL GEAR 37		1	*		
018-1	226862-0	SPIRAL BEVEL GEAR 37	S	1		ozuben	
019	962151-6	segrovka vnitřní R-32		1		segrovka vnit	
020	211129-9	kul.lož. 6201=old922088,211143-5 211122-3		1		kul.lo	
021	262153-5	FELT RING 16		1		krou	
022	213622-9	o-kroužek 45 9554NB-9558NB		1		o-krou	
023	135949-6	BEARING BOX ASSEMBLY		1			
D10		INC. 21,22					
024	911121-2	šroub M4x12		4			
025	962105-3	segrovka vnitřní R-26		1			
026	326672-6	SPINDLE		1		v	
027	123145-8	kryt kola		1	*	kryt =old122895-2 135108-2	
C10	213009-5	o kroužek 4 AN5010/KP0810/C=old213022-3		1	*	o krou	
C20	265180-1	šroub M5x16 GA6021/GA4530=o		1	*		

		Id265103-9				
027-1	141P36-7	TOOLLESS WHEEL COVER 125AK CMP	<	1		
C10	213009-5	o kroužek 4 AN5010/KP0810/C=o Id213022-3		1	*	o krou
C20	265180-1	šroub M5x16 GA6021/GA4530=o Id265103-9		1		
C30	8050A1-8	CAUTION LABEL		1		
028	224447-6	INNER FLANGE 42B		1		p
029	224554-5	upevňovací matice 14-45 9524		1		
030	853X81-5	DGA513 NAME PLATE		1		
031	266326-2	šroub 4x18=new265995-6		5	*	
031-1	265B67-9	TAPPING SCREW 4X18	O	5		
032	455450-8	DUST COVER R		1		prachov
033	183H83-4	HOUSING SET		1		
C10	263005-3	vymezovací čep 6		2		
D10		INC. 41				
034	455447-7	SWITCH KNOB		1		tla
035	455446-9	SWITCH LEVER		1		p
036	455448-5	LEVER		1		kulisa
037	231679-8	TORSION SPRING 2		1		pru
038	268330-7	PIN 2		1		
039	142901-7	INDICATOR PANEL COMPLETE		1		panel
040	650579-7	vypínač		1		vyp
041	183H83-4	HOUSING SET		1		
C10	263005-3	vymezovací čep 6		2		
D10		INC. 33				
042	455449-3	DUST COVER L		1		prachov
043	643874-2	TERMINAL		1		kontakt
046	853X86-5	DGA513 SERIAL NO. LABEL		1		
047	310514-4	LEAD FLANGE		1		p
048	816D93-9	INDICATION LABEL		1		
049	620K24-2	CONTROLLER	S	1		elektronika bez stato ru DGA463/513
050	652119-7	PAN HEAD SCREW M2X6	S	6		
A01	158237-4	GRIP 36 COMPLETE		1		
A02	A-80656	GRINDING WHEEL 125 WA36N		1		
A03	782423-1	klíč 35=old 782421-5		1		
A07	821551-8	systainer Makpac 395x295x210 mm		1		
C10	453974-8	LATCH		4		spona Makpacu
A08	816K11-9	DGA513ZJ INDICATION LABEL		1		
A09	816K12-7	DGA513ZJ PLASTIC CASE LABEL		2		
A10	839252-4	INNER TRAY		1		
A13	199710-5	CUTTING W.C.A. 125 SET		1		kryt 125
F04-1	194514-0	antivibrační rukojeť	O	1		
F23	191W06-8	115/125MM DUST COVER K SET		1		
C10	743129-6	BRUSH A		1		
C20	743130-1	BRUSH B		1		
A04	450128-8	kryt baterie		2		
A05	***DC18RC	DC18RC FAST CHARGER		1		
D10		COMPO-PARTS				
A06	197280-8	BATTERY BL1850B SET		2	*	

A06-1	197280-8	BATTERY BL1850B SET	O	2			
A08	816K14-3	DGA513RTJ INDICATION LABEL		1			
A09	816K15-1	DGA513RTJ PLASTIC CASE LABEL		2			
A08	8016B9-3	DGA513RT3J INDICATION LABEL		1			
A09	8016C0-8	DGA513RT3J PLASTIC CASE LABEL		2			

Prosím uveďte objednáací číslo dílu v objednávce

Datum tisku 24. 07. 2024