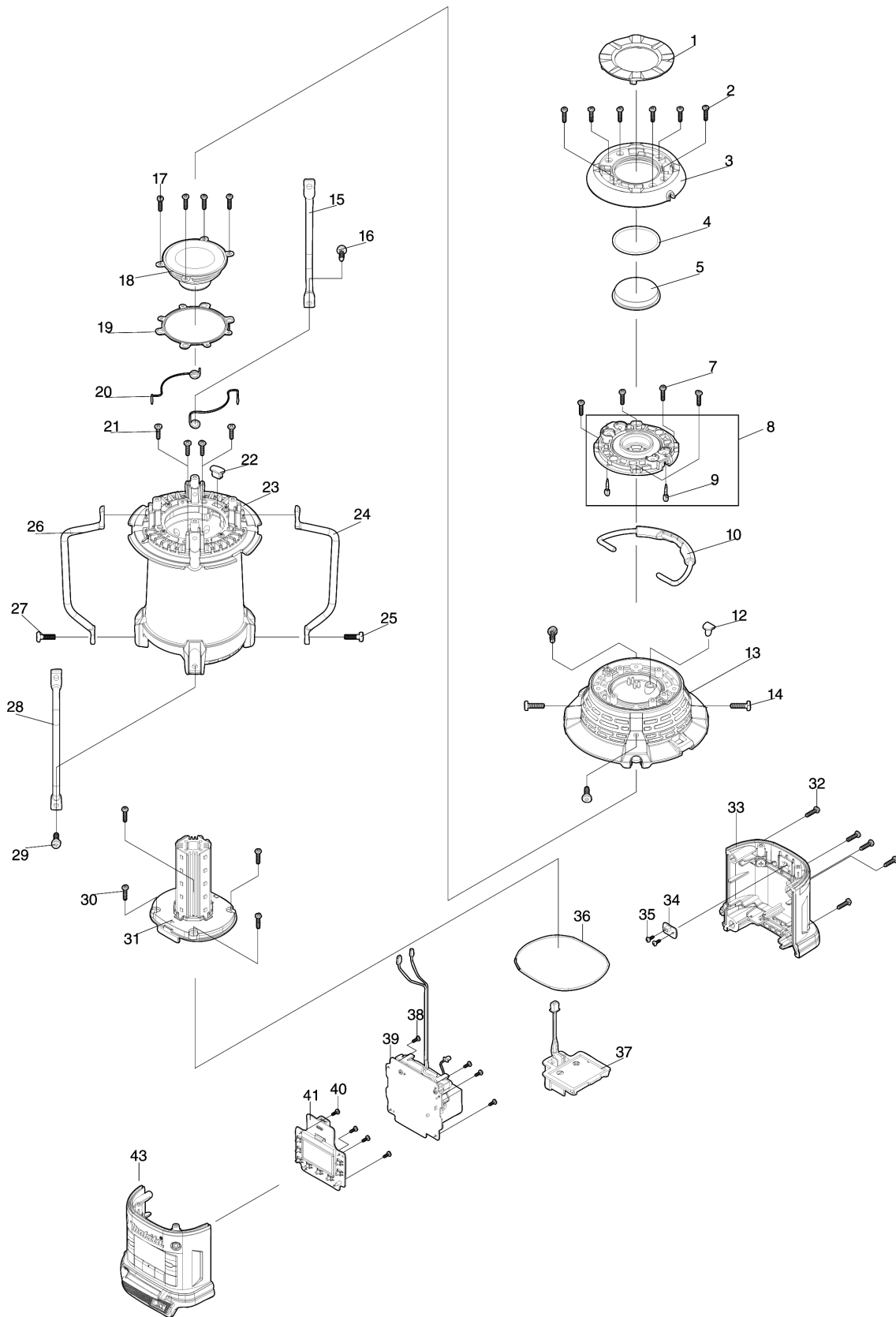


Model No.DMR055 CORDLESS RADIO WITH LANTERN



Model No.DMR055 CORDLESS RADIO WITH LANTERN

Položka	Číslo dílu	Popis	Změna	Množství	New/Old	Možnost 1	Možnost 2	Poznámka
001	SE00001125	TOP PANEL		1				
002	SE00001127	TAPPING SCREW 3X12(ZK)		6				
003	SE00001128	TOP COVER		1				
004	SE00001129	O RING D37.8 W2		1				
005	SE00001183	COVER		1				
007	SE00001127	TAPPING SCREW 3X12(ZK)		4				
008	SE00001185	LED HOLDER ASS'Y		1				
D10		INC. 9						
009	SE00001136	RUBBER PAD A		2				
010	SE00001137	HANDLE		1				
012	SE00001186	WATERPROOF PLUG C		1				
013	SE00001139	TOP CABINET ASS'Y		1				
014	SE00001140	HEX SOCKET HEAD BOLT M4X16		4				
015	SE00001141	FIXER BAR		1				
016	SE00001142	HEX SOCKET HEAD BOLT M4X13		1	*			
016-1	SE00001216	HEX SOCKET HEAD BOLT M4X13	O	1				
017	SE00001127	TAPPING SCREW 3X12(ZK)		4				
018	SE00001144	SPEAKER		1				
019	SE00001146	PACKING		1				
020	SE00001147	ANT WIRE		2				
021	SE00001127	TAPPING SCREW 3X12(ZK)		4	*			
021-1	SE00001148	SCREW STB 3X12(MC)	X	4				
022	SE00001187	WATERPROOF PLUG D		1				
023	SE00001150	LAMP COVER ASS'Y		1				
024	SE00001141	FIXER BAR		1				
025	SE00001142	HEX SOCKET HEAD BOLT M4X13		1	*			
025-1	SE00001216	HEX SOCKET HEAD BOLT M4X13	O	1				
026	SE00001141	FIXER BAR		1				
027	SE00001142	HEX SOCKET HEAD BOLT M4X13		1	*			
027-1	SE00001216	HEX SOCKET HEAD BOLT M4X13	O	1				
028	SE00001141	FIXER BAR		1				
029	SE00001142	HEX SOCKET HEAD BOLT M4X13		1	*			
029-1	SE00001216	HEX SOCKET HEAD BOLT M4X13	O	1				
030	SE00001127	TAPPING SCREW 3X12(ZK)		4				
031	SE00001188	PCB D+E ASSY		1				
032	SE00001127	TAPPING SCREW 3X12(ZK)		5				
033	SE00001189	REAR BOTTOM CABINET		1				
034	SE00001191	PCB K ASS'Y		1				
035	SE00001160	TAPPING SCREW 2X6		2				
036	SE00001163	BOTTOM CABINET PACKING D1.5xL2		1				
037	SE00001192	TERMINAL		1				

Model No.DMR055 CORDLESS RADIO WITH LANTERN

Položka	Číslo dílu	Popis	Změna	Množství	New/Old	Možnost 1	Možnost 2	Poznámka
038	SE00001160	TAPPING SCREW 2X6		4				
039	SE00001193	PCB A ASS'Y		1				
040	SE00001160	TAPPING SCREW 2X6		4				
041	SE00001195	PCB C ASS'Y		1				
043	SE00001176	FRONT BOTTOM CABINET ASS'Y		1	*			
043-1	SE00001219	FRONT BOTTOM CABINET ASS'Y	X	1				
A01	SE00001178	STRAP WITH HOOK		1				

Please order the parts with part number.

Print Date 3/11/2022