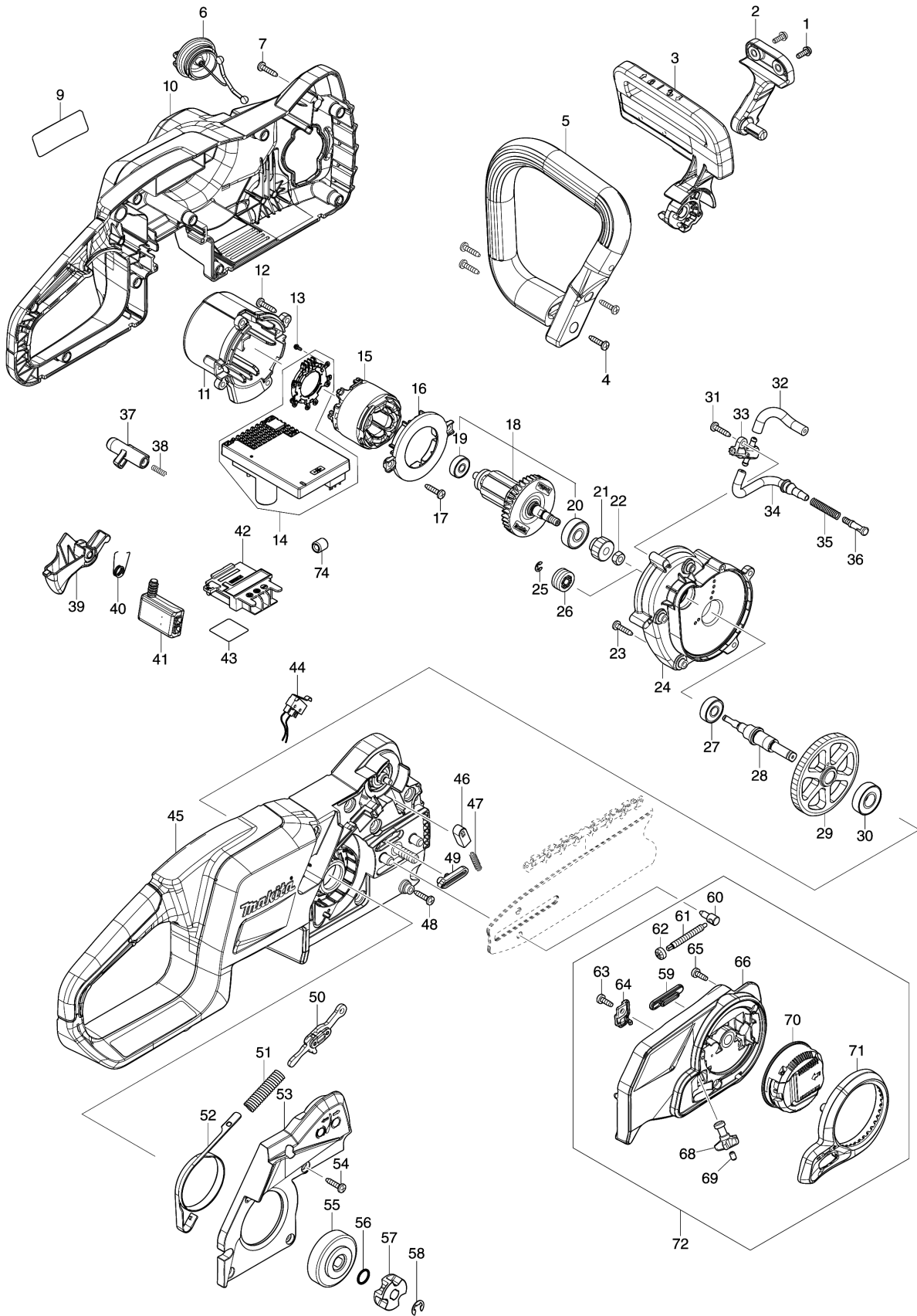


Model No.DUC357 350MM CORDLESS CHAIN SAW



Model No.DUC357 350MM CORDLESS CHAIN SAW

Položka	Číslo dílu	Popis	Změna	Množství	New/Old	Možnost 1	Možnost 2	Poznámka
001	911118-1	PAN HEAD SCREW M4X12		2				
002	413J87-7	FRONT HAND GUARD RETAINER		1				
003	141K82-0	FRONT HAND GUARD COMPLETE		1				
C10	810R21-0	CAUTION LABEL		1				
004	266326-2	TAPPING SCREW 4X18		4				
005	413J75-4	FRONT HANDLE		1				
006	162C20-1	TANK CAP COMPLETE		1				
C10	213A30-0	O-RING 29.5		1				
007	266326-2	TAPPING SCREW 4X18		9				
009	858R06-8	DUC357 NAME PLATE		1				
010	183W84-2	HOUSING SET		1				
C10	263005-3	RUBBER PIN 6		2				
C20	8057G1-2	MAKITA LOGO LABEL		1				
D10		INC. 45						
011	413J76-2	MOTOR HOUSING		1				
012	266326-2	TAPPING SCREW 4X18		4				
013	652119-7	PAN HEAD SCREW M2X6		6				
014	620J79-1	CONTROLLER		1				
015	629B62-7	STATOR		1				
016	413J86-9	BAFFLE PLATE		1				
017	266326-2	TAPPING SCREW 4X18		2				
018	519766-6	ROTOR ASS'Y		1				
D10		INC. 19,20						
019	211499-6	BALL BEARING 626ZZ		1				
020	211092-6	BALL BEARING 629DDW		1				
021	227989-9	SPUR GEAR 16		1				
022	252186-8	HEX. NUT M6		1				
023	266326-2	TAPPING SCREW 4X18		5				
024	413J72-0	BEARING HOUSING		1				
025	961011-9	STOP RING E-4		1				
026	226884-0	WORM GEAR		1				
027	211032-4	BALL BEARING 608ZZ		1				
028	327A29-0	SPINDLE		1				
029	227990-4	SPUR GEAR 73		1				
030	210216-1	BALL BEARING 6001DDW		1				
031	266326-2	TAPPING SCREW 4X18		1				
032	422914-7	OIL TUBE 3-60		1				
033	141N25-0	OIL PUMP COMPLETE		1				
034	422913-9	OIL TUBE 3-105		1				
035	231975-4	SPRING		1				
036	452666-6	NIPPLE		1				
037	413J88-5	LOCK OFF BUTTON		1				
038	231469-9	COMPRESSION SPRING 4		1				
039	413J84-3	SWITCH LEVER		1				

Model No.DUC357 350MM CORDLESS CHAIN SAW

Položka	Číslo dílu	Popis	Změna	Množství	New/Old	Možnost 1	Možnost 2	Poznámka
040	233621-5	TORSION SPRING 9		1				
041	651083-9	SWITCH C3XA-1PSPM		1				
042	643874-2	TERMINAL		1				
043	858R13-1	DUC357 SERIAL NO. LABEL		1				
044	632L48-2	SWITCH UNIT		1				
045	183W84-2	HOUSING SET		1				
C10	263005-3	RUBBER PIN 6		2				
C20	8057G1-2	MAKITA LOGO LABEL		1				
D10		INC. 10						
046	313212-9	HAND GUARD GUIDE		1				
047	234210-9	COMPRESSION SPRING 3		1				
048	266326-2	TAPPING SCREW 4X18		1				
049	422915-5	GROMMET		1				
050	141E60-4	LINK PLATE COMPLETE		1				
051	232452-9	COMPRESSION SPRING 7		1				
052	347864-4	BRAKE BAND		1				
053	413J85-1	HOUSING R COVER		1				
054	266326-2	TAPPING SCREW 4X18		5				
055	162B78-4	BRAKE DRUM		1				
056	213060-5	O RING 10		1	*			
056-1	213A41-5	O-RING 10	O	1				
057	221464-7	SPROCKET 6		1				
058	961013-5	STOP RING E-7		1				
059	422833-7	GROMMET		1				
060	326310-0	ADJUST PIN		1				
061	327958-1	ADJUST SCREW		1				
062	227496-2	STRAIGHT BEVEL GEAR 14		1				
063	266427-6	TAPPING SCREW 4X12		1				
064	413F29-7	COVER		1				
065	266427-6	TAPPING SCREW 4X12		3				
066	413J73-8	SPROCKET COVER		1				
068	142665-3	DRIVE GEAR COMPLETE		1				
069	263002-9	RUBBER PIN 4		1				
070	142235-8	NUT COMPLETE		1				
071	454819-3	NUT COVER		1				
072	136784-5	SPROCKET COVER ASS'Y		1				
D10		INC. 59-66,68-71						
074	688164-6	LINE FILTER		1				
A01	191G16-9	GUIDE BAR 14 SET		1				
A02	413G23-5	GUIDE BAR CASE 360		1				
A03	191H02-6	SAW CHAIN 14 SET		1				
A06B	***DC18RC	DC18RC FAST CHARGER		1				
D10		COMPO-PARTS						
A07B	197280-8	BATTERY BL1850B SET		1				
A08	195923-6	ROUND FILE 4.5 SET		1				

Model No.DUC357 350MM CORDLESS CHAIN SAW

Položka	Číslo dílu	Popis	Změna	Množství	New/Old	Možnost 1	Možnost 2	Poznámka
E01	891805-7	SOUND 98DB LABEL		1				
F01	191G15-1	GUIDE BAR 12 SET		1				
F02	191G16-9	GUIDE BAR 14 SET		1				
F03	191G17-7	GUIDE BAR 16 SET		1				
F04	191G23-2	GUIDE BAR 12 SET		1				
F05	191G24-0	GUIDE BAR 14 SET		1				
F06	191G25-8	GUIDE BAR 16 SET		1				
F07	191H01-8	SAW CHAIN 12 SET		1				
F08	191H02-6	SAW CHAIN 14 SET		1				
F09	191H03-4	SAW CHAIN 16 SET		1				
F10	191H10-7	SAW CHAIN 12 SET		1				
F11	191H11-5	SAW CHAIN 14 SET		1				
F12	191H12-3	SAW CHAIN 16 SET		1				
F13	195923-6	ROUND FILE 4.5 SET		1				
F14	198457-8	CHAIN EDGER SET		1				

Please order the parts with part number.

Print Date 24/10/2022