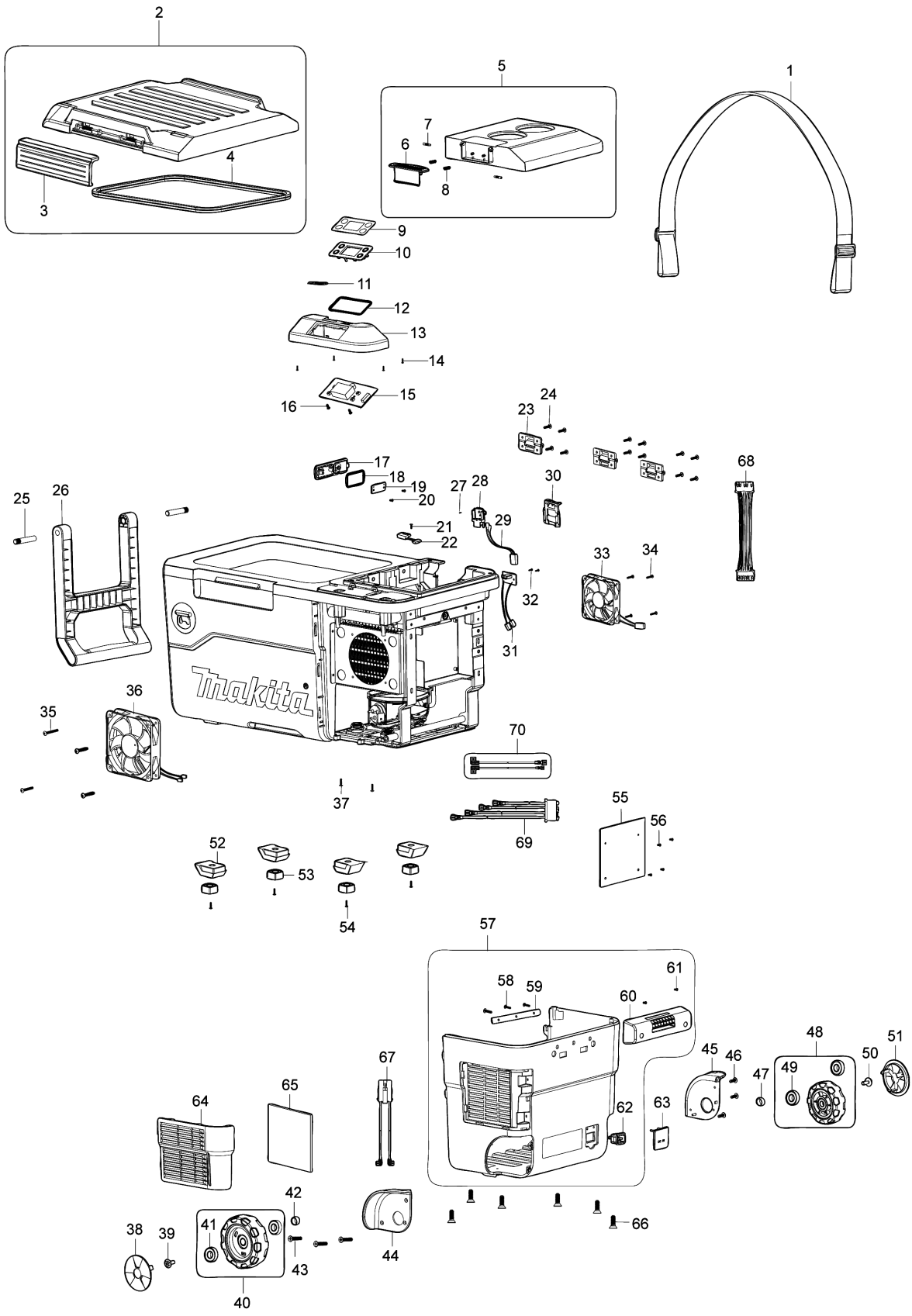


Model No.CW001G CORDLESS COOLER & WARMER BOX



Model No.CW001G CORDLESS COOLER & WARMER BOX

| Položka | Číslo dílu | Popis                      | Změna | Množství | New/Old | Možnost 1 | Možnost 2 | Poznámka |
|---------|------------|----------------------------|-------|----------|---------|-----------|-----------|----------|
| 001     | A-71093    | SHOULDER BELT              |       | 1        |         |           |           |          |
| 002     | WL00000004 | TOP COVER ASSY             |       | 1        |         |           |           |          |
| D10     |            | INC. 3,4                   |       |          |         |           |           |          |
| 003     | WL00000005 | HANDLE A                   |       | 1        |         |           |           |          |
| 004     | WL00000006 | SEALING                    |       | 1        |         |           |           |          |
| 005     | WL00000088 | BATTERY COVER              |       | 1        |         |           |           |          |
| D10     |            | INC. 6,7,8                 |       |          |         |           |           |          |
| 006     | WL00000089 | HANDLE B                   |       | 1        |         |           |           |          |
| 007     | WL00000090 | SHAFT                      |       | 2        |         |           |           |          |
| 008     | WL00000010 | COMPRESSION SPRING 5MM     |       | 2        |         |           |           |          |
| 009     | WL00000092 | CONTROL FILM               |       | 1        |         |           |           |          |
| 010     | WL00000093 | SWITCH PANEL               |       | 1        |         |           |           |          |
| 011     | WL00000094 | XGT LABEL                  |       | 1        |         |           |           |          |
| 012     | WL00000013 | SEALING B                  |       | 1        |         |           |           |          |
| 013     | WL00000095 | CONTROL PANEL              |       | 1        |         |           |           |          |
| 014     | WL00000015 | TAPPING SCREW 3X10         |       | 4        |         |           |           |          |
| 015     | WL00000096 | CONTROL PCB                |       | 1        |         |           |           |          |
| 016     | WL00000017 | TAPPING SCREW 3X8          |       | 2        |         |           |           |          |
| 017     | WL00000018 | THERMOSTAT TOP COVER       |       | 1        |         |           |           |          |
| 018     | WL00000019 | SEALING C                  |       | 1        |         |           |           |          |
| 019     | WL00000097 | LIGHT BOARD ASSY           |       | 1        |         |           |           |          |
| 020     | WL00000017 | TAPPING SCREW 3X8          |       | 2        |         |           |           |          |
| 021     | WL00000015 | TAPPING SCREW 3X10         |       | 1        |         |           |           |          |
| 022     | WL00000021 | MAGNETIC SWITCH WITH CABLE |       | 1        |         |           |           |          |
| 023     | WL00000022 | HINGE                      |       | 3        |         |           |           |          |
| 024     | WL00000023 | TAPPING SCREW 4X16         |       | 12       |         |           |           |          |
| 025     | WL00000025 | SHAFT 10MM (DRAG HANDLE)   |       | 2        |         |           |           |          |
| 026     | WL00000026 | DRAG HANDLE                |       | 1        |         |           |           |          |
| 027     | WL00000098 | SCREWS ST3X8               |       | 1        |         |           |           |          |
| 028     | WL00000099 | BATTERY TERMINAL           |       | 1        |         |           |           |          |
| 029     | WL00000100 | LEAD WIRE                  |       | 1        |         |           |           |          |
| 030     | WL00000101 | BATTERY TERMINAL COVER     |       | 1        |         |           |           |          |
| 031     | WL00000102 | USB PCB                    |       | 1        |         |           |           |          |
| 032     | WL00000015 | TAPPING SCREW 3X10         |       | 2        |         |           |           |          |
| 033     | WL00000103 | FAN (AIR OUTLET)           |       | 1        |         |           |           |          |
| 034     | WL00000104 | SCREWS M4X30               |       | 4        |         |           |           |          |
| 035     | WL00000104 | SCREWS M4X30               |       | 4        |         |           |           |          |
| 036     | WL00000030 | FAN (AIR INLET) WITH CABLE |       | 1        |         |           |           |          |
| 037     | WL00000023 | TAPPING SCREW 4X16         |       | 2        |         |           |           |          |
| 038     | WL00000105 | WHEEL COVER                |       | 1        |         |           |           |          |
| 039     | WL00000032 | SCREW M6X16 WITH WASHER    |       | 1        |         |           |           |          |
| 040     | WL00000033 | WHEEL ASSY                 |       | 1        |         |           |           |          |
| D10     |            | INC. 41                    |       |          |         |           |           |          |
| 041     | WL00000034 | BEARING FOR SHAFT          |       | 2        |         |           |           |          |

Model No.CW001G CORDLESS COOLER & WARMER BOX

| Položka | Číslo dílu | Popis                          | Změna | Množství | New/Old | Možnost 1 | Možnost 2 | Poznámka |
|---------|------------|--------------------------------|-------|----------|---------|-----------|-----------|----------|
| 042     | WL00000035 | SHAFT SLEEVE 12MM              |       | 1        |         |           |           |          |
| 043     | WL00000036 | COUNTERSUNK TAPPING SCREW 4X12 |       | 3        |         |           |           |          |
| 044     | WL00000106 | LEFT WHEEL COVER BLUE          |       | 1        |         |           |           |          |
| 045     | WL00000107 | RIGHT WHEEL COVER BLUE         |       | 1        |         |           |           |          |
| 046     | WL00000036 | COUNTERSUNK TAPPING SCREW 4X12 |       | 3        |         |           |           |          |
| 047     | WL00000035 | SHAFT SLEEVE 12MM              |       | 1        |         |           |           |          |
| 048     | WL00000033 | WHEEL ASSY                     |       | 1        |         |           |           |          |
| D10     |            | INC. 49                        |       |          |         |           |           |          |
| 049     | WL00000034 | BEARING FOR SHAFT              |       | 2        |         |           |           |          |
| 050     | WL00000032 | SCREW M6X16 WITH WASHER        |       | 1        |         |           |           |          |
| 051     | WL00000105 | WHEEL COVER                    |       | 1        |         |           |           |          |
| 052     | WL00000039 | FOOT                           |       | 4        |         |           |           |          |
| 053     | WL00000040 | FOOT PAD                       |       | 4        |         |           |           |          |
| 054     | WL00000023 | TAPPING SCREW 4X16             |       | 4        |         |           |           |          |
| 055     | WL00000108 | POWER PCB                      |       | 1        |         |           |           |          |
| 056     | WL00000017 | TAPPING SCREW 3X8              |       | 4        |         |           |           |          |
| 057     | WL00000109 | REAR COVER ASSY(BLUE)          |       | 1        |         |           |           |          |
| D10     |            | INC. 58-62                     |       |          |         |           |           |          |
| 058     | WL00000044 | TAPPING SCREW 4X12             |       | 3        |         |           |           |          |
| 059     | WL00000045 | HANDLE STRENGTHEN IRON         |       | 1        |         |           |           |          |
| 060     | WL00000046 | LIFTED HANDLE R                |       | 1        |         |           |           |          |
| 061     | WL00000110 | SCREWS M4X12                   |       | 2        |         |           |           |          |
| 062     | WL00000048 | DC IN SOCKET                   |       | 1        |         |           |           |          |
| 063     | WL00000111 | DC IN COVER                    |       | 1        |         |           |           |          |
| 064     | WL00000112 | DUST PROOF COVER BLUE          |       | 1        |         |           |           |          |
| 065     | WL00000051 | FILTER SPONGE                  |       | 1        |         |           |           |          |
| 066     | WL00000052 | COUNTERSUNK TAPPING SCREW 4X18 |       | 6        |         |           |           |          |
| 067     | WL00000068 | POWER CONNECTION WIRE          |       | 1        |         |           |           |          |
| 068     | WL00000069 | CONTROLLING PCB WIRE           |       | 1        |         |           |           |          |
| 069     | WL00000070 | COMPRESSOR PCB WIRE            |       | 1        |         |           |           |          |
| 070     | WL00000087 | COMPRESSOR INPUT WIRE          |       | 1        |         |           |           |          |
| A02     | WL00000002 | CIGAR LIGHTER DC 12-24V        |       | 1        |         |           |           |          |
| C10     | WL00000056 | FUSE                           |       | 1        |         |           |           |          |
| F01     | WL00000122 | AC ADAPTOR ASSY DE             |       | 1        |         |           |           |          |
| C10     | WL00000063 | AC POWER CORD                  |       | 1        |         |           |           |          |

Please order the parts with part number.

Print Date 1/4/2022