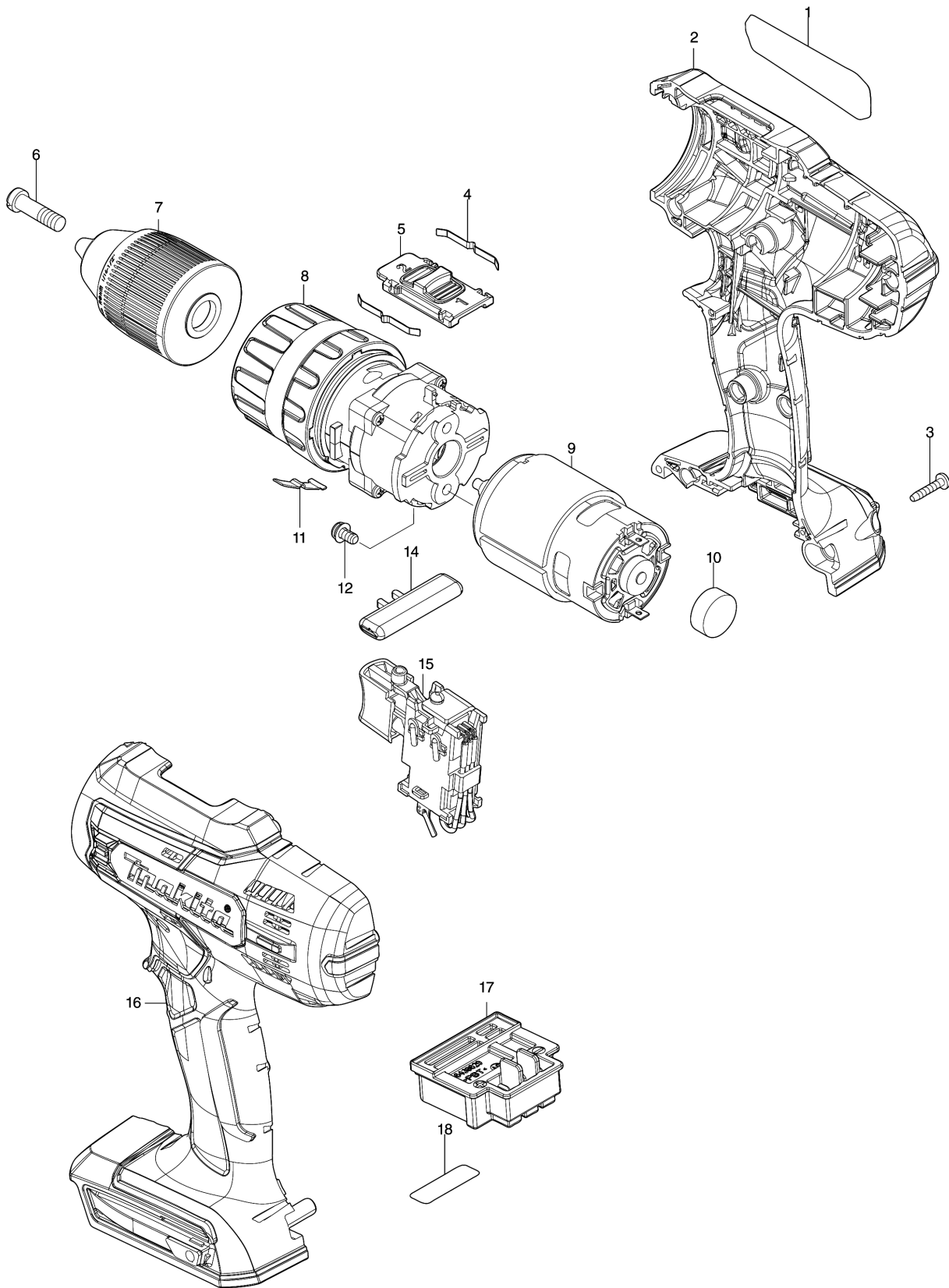


Model No.HP488D CORDLESS HAMMER DRIVER DRILL



## Model No.HP488D CORDLESS HAMMER DRIVER DRILL

| Položka | Číslo dílu | Popis                        | Změna | Množství | New/Old | Možnost 1 | Možnost 2 | Poznámka |
|---------|------------|------------------------------|-------|----------|---------|-----------|-----------|----------|
| 001     | 858A41-4   | HP488D NAME PLATE            |       | 1        |         |           |           |          |
| 002     | 183R93-1   | HOUSING SET                  |       | 1        |         |           |           |          |
| C10     | 252126-6   | HEX. LOCK NUT M4-7           |       | 2        |         |           |           |          |
| D10     |            | INC. 16                      |       |          |         |           |           |          |
| 003     | 266429-2   | TAPPING SCREW 3X16           |       | 9        |         |           |           |          |
| 004     | 232220-0   | LEAF SPRING                  |       | 2        |         |           |           |          |
| 005     | 127754-5   | SPEED CHANGE LEVER ASSEMBLY  |       | 1        |         |           |           |          |
| C10     | 233438-6   | COMPRESSION SPRING 4         |       | 2        |         |           |           |          |
| 006     | 251468-5   | - FLAT HEAD SCREW M6X22      |       | 1        |         |           |           |          |
| 007     | 766004-9   | KEYLESS DRILL CHUCK 13       |       | 1        | *       |           |           |          |
| 007-1   | 763260-2   | KEYLESS DRILL CHUCK 13       | O     | 1        |         |           |           |          |
| 008     | 127733-3   | GEAR ASSEMBLY                |       | 1        |         |           |           |          |
| 009     | 629937-8   | DC MOTOR                     |       | 1        |         |           |           |          |
| 010     | 421940-3   | CAP                          |       | 1        |         |           |           |          |
| 011     | 232182-2   | LEAF SPRING                  |       | 1        |         |           |           |          |
| 012     | 911108-4   | PAN HEAD SCREW M4X8          |       | 2        |         |           |           |          |
| 014     | 452399-3   | F/R CHANGE LEVER             |       | 1        |         |           |           |          |
| 015     | 638862-2   | SWITCH UNIT                  |       | 1        |         |           |           |          |
| C10     | 688164-6   | LINE FILTER                  |       | 1        |         |           |           |          |
| C20     | 688165-4   | LINE FILTER                  |       | 1        |         |           |           |          |
| 016     | 183R93-1   | HOUSING SET                  |       | 1        |         |           |           |          |
| C10     | 252126-6   | HEX. LOCK NUT M4-7           |       | 2        |         |           |           |          |
| D10     |            | INC. 2                       |       |          |         |           |           |          |
| 017     | 643862-9   | TERMINAL                     |       | 1        |         |           |           |          |
| 018     | 858A45-6   | HP488D SERIAL NO. LABEL      |       | 1        |         |           |           |          |
| A01     | 784637-8   | +/- BIT 2-45                 |       | 1        |         |           |           |          |
| A02     | ***DC18WA  | DC18WA BATTERY CHARGER       |       | 1        |         |           |           |          |
| D10     |            | COMPO-PARTS                  |       |          |         |           |           |          |
| A03A    | 198186-3   | BATTERY BL1815G SET          |       | 2        |         |           |           |          |
| A04     | 452652-7   | BATTERY COVER                |       | 1        |         |           |           |          |
| A05     | 821844-3   | PLASTIC CARRYING CASE        |       | 1        |         |           |           |          |
| C10     | 455522-9   | SLIDE LATCH                  |       | 2        |         |           |           |          |
| A06A    | 8027B7-6   | HP488DWE PLASTIC CASE LABEL  |       | 2        |         |           |           |          |
| A06B    | 8028Y3-1   | HP488DWAE PLASTIC CASE LABEL |       | 2        |         |           |           |          |

Please order the parts with part number.

Print Date 17/2/2021