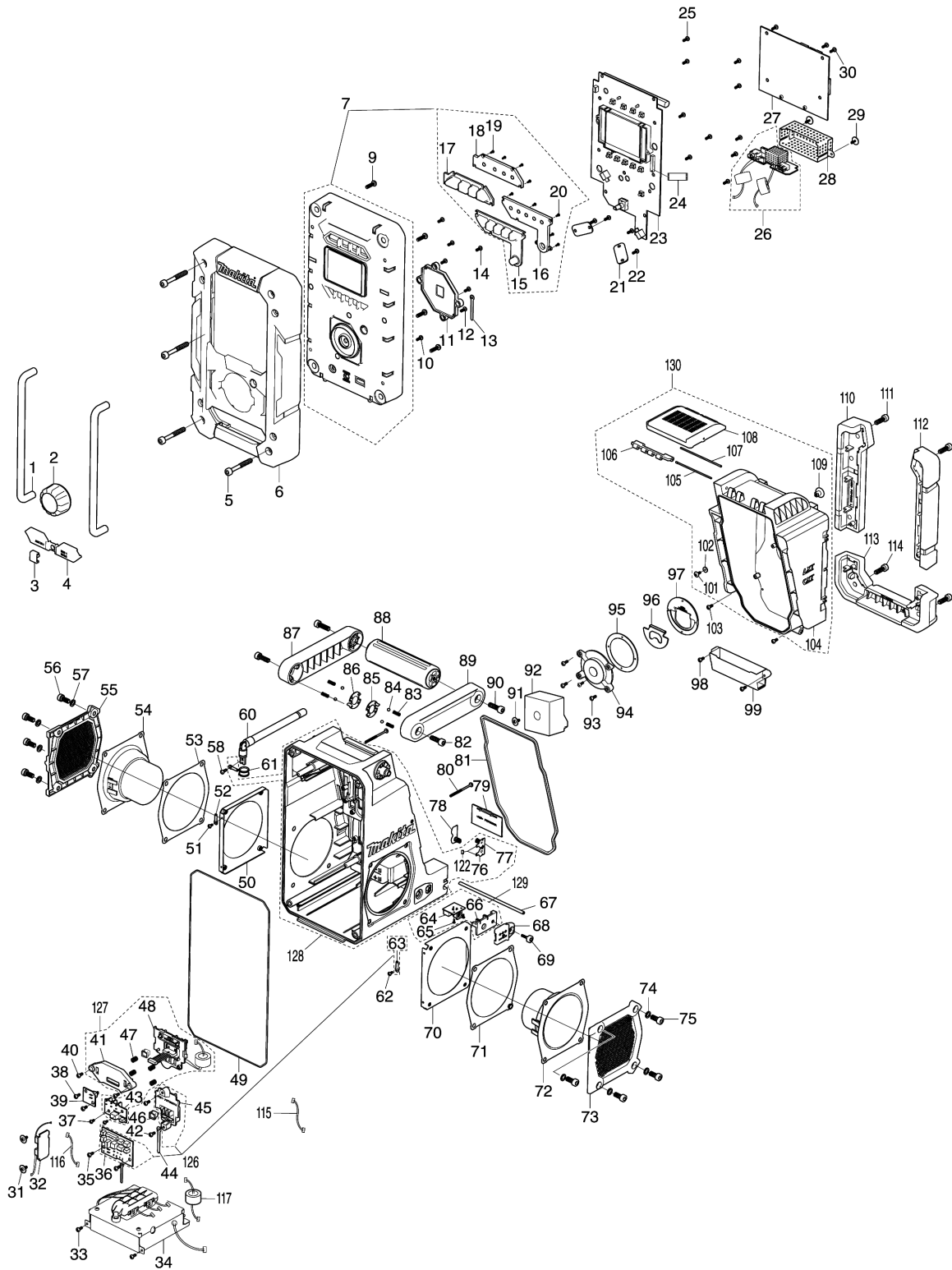


Model No.DMR301 JOB SITE CHARGER RADIO



Model No.DMR301 JOB SITE CHARGER RADIO

Položka	Číslo dílu	Popis	Změna	Množství	New/Old	Možnost 1	Možnost 2	Poznámka
001	TC00000001	FRONT BAR		2				
002	TC00000002	VOLUME KNOB		1				
003	TC00000003	USB COVER HOLDER		1				
004	TC00000004	USB COVER		1				
005	TC00000005	SCREW M6X45		4				
006	TC00000006	FRONT CABINET BLUE		1				
007	TC00000182	FRONT INNER CABINET ASSY A		1				
D10		INC. 15-20						
009	TC00000009	SCREW M4X15		4				
010	TC00000011	SCREW M3X8		1				
011	TC00000012	VOLUME HOLDER COVER		1				
012	TC00000011	SCREW M3X8		2				
013	TC00000010	WIRE CLAMP		1				
014	TC00000011	SCREW M3X8		4				
015	TC00000013	MIDDLE KEY		1				
016	TC00000014	MIDDLE KEY HOLDER		1				
017	TC00000016	TOP KEY		1				
018	TC00000017	TOP KEY HOLDER		1				
019	TC00000015	SCREW M1.7X5		4				
020	TC00000015	SCREW M1.7X5		5				
021	TC00000019	COVER PCB		2				
022	TC00000011	SCREW M3X8		4				
023	TC00000020	PCBA-DISPLAY		1				
024	TC00000178	FLAT CABLE		1				
025	TC00000011	SCREW M3X8		10				
026	TC00000163	PCBA-USB1 ASSY		1				
027	TC00000108	PCBA-MAIN F		1				
028	TC00000027	SHIELD		1				
029	TC00000026	SCREW M3X8		2				
030	TC00000011	SCREW M3X8		3				
031	TC00000026	SCREW M3X8		2				
032	TC00000029	PCBA-USB2		1				
033	TC00000011	SCREW M3X8		2				
034	TC00000030	PCBA CHARGING		1				
035	TC00000011	SCREW M3X8		2				
036	TC00000031	PCBA-CXT BATTERY		1				
037	TC00000032	SCREW M2.6X6		2				
038	TC00000011	SCREW M3X8		2				
039	TC00000033	PCBA-SWITCH		1				
040	TC00000011	SCREW M3X8		2				
041	TC00000034	LXT TERMINAL HOLDER BLUE		1				
042	TC00000011	SCREW M3X8		2				
043	TC00000036	PCBA-LXT BATTERY		1				
044	TC00000010	WIRE CLAMP		2				

Model No.DMR301 JOB SITE CHARGER RADIO

Položka	Číslo dílu	Popis	Změna	Množství	New/Old	Možnost 1	Možnost 2	Poznámka
045	TC00000037	CXT TERMINAL		1				
046	TC00000038	BAT SWITCH BUTTON BLUE		2				
047	TC00000040	LXT SPRING		4				
048	TC00000041	LXT TERMINAL		1				
049	TC00000042	FRONT INNER CABINET RUBBER		1				
050	TC00000045	SPEAKER BRACKET		1				
051	TC00000032	SCREW M2.6X6		1				
052	TC00000111	SOLDERING TAG ASSY LONG		1				
053	TC00000047	SPEAKER RUBBER		1				
054	TC00000048	SPEAKER L		1				
055	TC00000049	SPK COVER		1				
056	TC00000050	SCREW M6X14		4				
057	TC00000051	RUBBER RING		4				
058	TC00000052	SCREW M3X10		1				
060	TC00000112	FM ANTENNA DAB		1				
061	TC00000054	RUBBER RING		1				
062	TC00000032	SCREW M2.6X6		1				
063	TC00000046	LEAD UNIT		1	*			
063-1	TC00000186	LEAD UNIT	<	1				
064	TC00000055	PCBA-DC JACK		1				
065	TC00000015	SCREW M1.7X5		2				
066	TC00000056	DC JACK HOLDER BLUE		1				
067	TC00000058	BACK CABINET SHAFT		1				
068	TC00000059	DC JACK COVER		1				
069	TC00000060	SCREW M3X14		1				
070	TC00000045	SPEAKER BRACKET		1				
071	TC00000047	SPEAKER RUBBER		1				
072	TC00000174	SPEAKER R		1				
073	TC00000049	SPK COVER		1				
074	TC00000051	RUBBER RING		4				
075	TC00000050	SCREW M6X14		4				
076	TC00000061	BATTERY PLUS PLATE		1				
077	TC00000062	BATTERY MINUS PLATE		1				
078	TC00000063	BATTERY MINUS PLUS PLATE		1				
079	TC00000064	BATTERY COVER BLUE		1				
080	TC00000066	HEXA SOCKET SCREW T15 3X45		2				
081	TC00000067	MIDDLE CABINET RUBBER		1				
082	TC00000068	SCREW M6X19		2				
083	TC00000069	COMPRESSION SPRING		4				
084	TC00000070	STEEL BALL		4				
085	TC00000071	HANDLE PLATE R		1				
086	TC00000072	HANDLE PLATE L		1				
087	TC00000073	HANDLE L BLUE		1				
088	TC00000075	GRIP		1				

Please order the parts with part number.

Print Date 18/11/2021

Model No.DMR301 JOB SITE CHARGER RADIO

Položka	Číslo dílu	Popis	Změna	Množství	New/Old	Možnost 1	Možnost 2	Poznámka
089	TC00000076	HANDLE R BLUE		1				
090	TC00000078	SCREW M6X20		2				
091	TC00000026	SCREW M3X8		1				
092	TC00000175	BATTERY RUBBER PAD		1				
093	TC00000011	SCREW M3X8		4				
094	TC00000080	BOTTLE OPENER BACK COVER BLUE		1				
095	TC00000082	RUBBER RING		1				
096	TC00000085	BOTTLE OPENER		1				
097	TC00000086	HOLDER		1				
098	TC00000011	SCREW M3X8		2				
099	TC00000087	PHONE POCKET BLUE		1				
101	TC00000089	SCREW M3X8		1				
102	TC00000090	RUBBER RING		1				
103	TC00000011	SCREW M3X8		2				
104	TC00000091	BACK CABINET BLUE		1				
105	TC00000093	SHAFT SHORT		1				
106	TC00000094	HINGE BLUE		1				
107	TC00000096	SHAFT LONG		1				
108	TC00000097	LATCH BLUE		1				
109	TC00000099	HOOK		1				
110	TC00000100	CABINET HOLDER L BLUE		1				
111	TC00000068	SCREW M6X19		2				
112	TC00000102	CABINET HOLDER R BLUE		1				
113	TC00000104	CABINET HOLDER BLUE		1				
114	TC00000068	SCREW M6X19		2				
115	TC00000179	4P WIRE		1				
116	TC00000180	8P WIRE		1				
117	TC00000181	2P/4P WIRE ASSY		1				
122	TC00000169	LEAD UNIT		1				
126	TC00000164	CXT TERMINAL ASSY		1				
D10		INC 36,45,63						
127	TC00000165	LXT TERMINAL ASSY BLUE		1				
D10		INC. 41,43,47,48						
128	TC00000184	MIDDLE CABINET ASSY A		1				
D10		INC. 76,77,122						
129	TC00000172	DC JACK ASSY BLUE		1				
D10		INC. 64-66						
130	TC00000176	BACK CABINET ASSY BLUE		1				
D10		INC. 101,102,104-109						
A01	TC00000137	AC ADAPTER E		1				
A02	TC00000142	AC CORD A		1				

Please order the parts with part number.

Print Date 18/11/2021