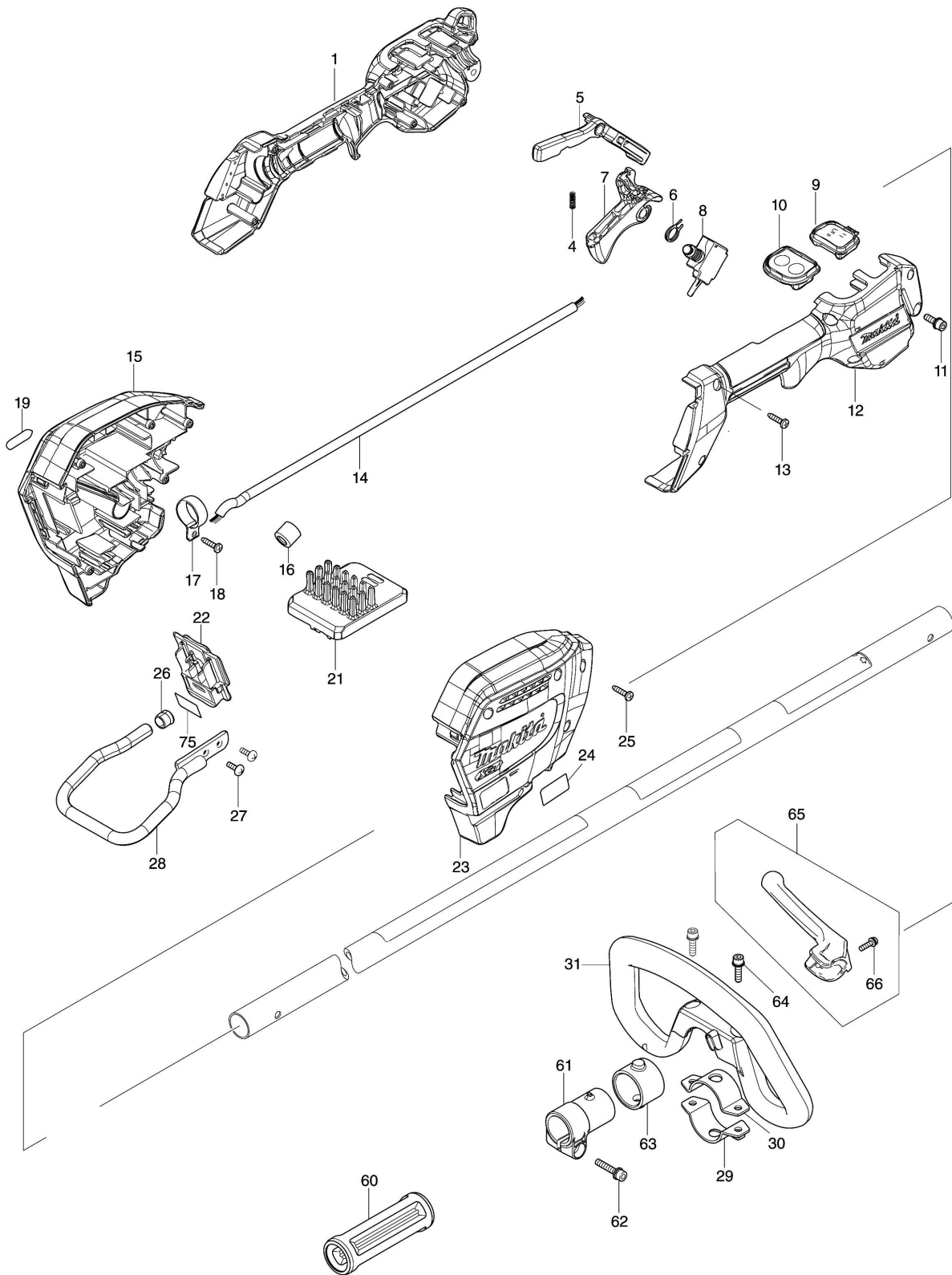
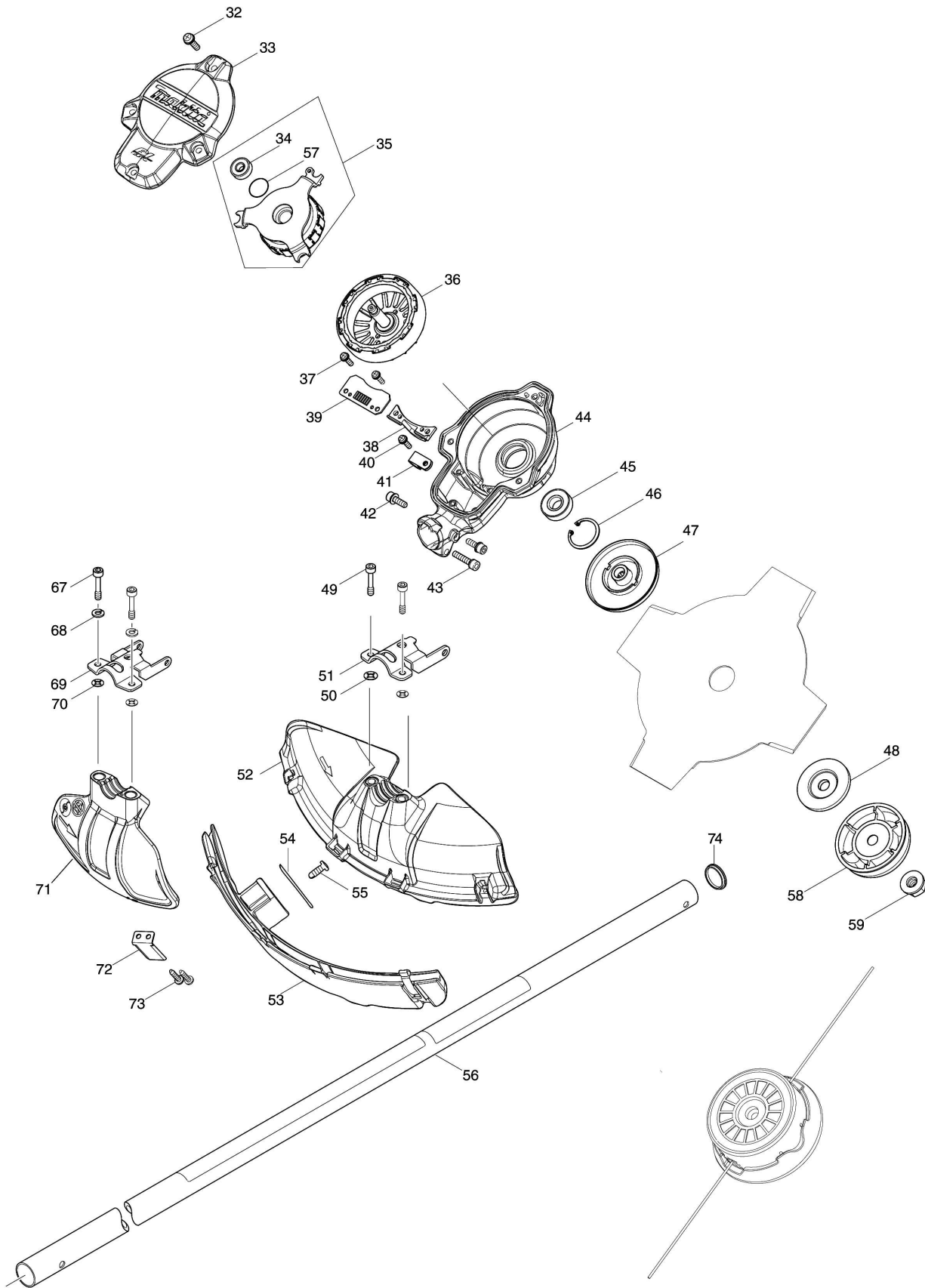


Model No.UR003G CORDLESS GRASS TRIMMER



Model No.UR003G CORDLESS GRASS TRIMMER



Model No.UR003G CORDLESS GRASS TRIMMER

Položka	Číslo dílu	Popis	Změna	Množství	New/Old	Možnost 1	Možnost 2	Poznámka
001	183S36-9	GRIP SET		1				
D10		INC. 12						
004	233101-1	vinutá pružina 4		1				
005	459759-0	LOCK OFF LEVER		1				
006	233622-3	TORSION SPRING 12		1				
007	459758-2	SWITCH LEVER		1				
008	651492-2	SWITCH C3JR-1A-PAXD3		1				
009	141B31-3	INDICATION CIRCUIT COMPLETE		1				
010	140W06-5	SWITCH CIRCUIT COMPLETE G		1				
C10	819J26-9	SWITCH LABEL		1				
011	922233-6	H.S.H.BOLT M5X20 WITH WR		1				
012	183S36-9	GRIP SET		1				
D10		INC. 1						
013	266326-2	šroub 4x18=new265995-6		6				
014	699159-4	POWER SUPPLY CORD UNIT		1				
015	183S34-3	HOUSING SET		1				
C10	263005-3	vymezovací čep 6		2				
D10		INC. 23						
016	688163-8	filtr		1				
017	346248-3	CLAMP 24		1				
018	266326-2	šroub 4x18=new265995-6		1				
019	8012U4-2	XGT LOGO LABEL		1				
021	620E47-4	CONTROLLER		1				
022	632P49-4	TERMINAL UNIT		1				
023	183S34-3	HOUSING SET		1				
C10	263005-3	vymezovací čep 6		2				
D10		INC. 15						
024	811A61-9	UR003G NAME PLATE		1				
025	266326-2	šroub 4x18=new265995-6		5				
026	422230-7	CAP		1				
027	266420-0	TAPPING SCREW 5X20		2				
028	347752-5	BATTERY GUARD		1				
029	347114-7	LOWER CLAMP 35		1				
030	347113-9	UPPER CLAMP 35		1				
031	457267-5	LOOP HANDLE		1				
C10	263005-3	vymezovací čep 6		1				
032	911233-1	šroub M5x20		4				
033	413335-4	TOP COVER		1				
034	210062-2	ložisko MT952		1				
035	529146-8	STATOR ASS'Y		1				
D10		INC. 34,57						
036	619462-7	ROTOR		1				
037	911128-8	P.H.SCREW M4X16 WITH WR		2				
038	455628-3	INNER COVER		1				

Model No.UR003G CORDLESS GRASS TRIMMER

Položka	Číslo dílu	Popis	Změna	Množství	New/Old	Možnost 1	Možnost 2	Poznámka
039	620E48-2	CONTROLLER B		1				
040	911128-8	P.H.SCREW M4X16 WITH WR		1				
041	687042-7	držák kabelu		1				
042	922223-9	H.S.H.BOLT M5X16 WITH WR		2				
043	922241-7	HEX. SOCKET HEAD BOLT M5X25		1				
044	141A05-8	MOTOR HOUSING COMPLETE		1				
045	211131-2	kuličkové ložisko 6001DDW =old 922041		1				
046	962106-1	RETAINING RING R-28		1				
047	140L84-9	RECEIVE WASHER COMPLETE G		1				
048	346084-7	podložka MS335.4U		1				
049	266896-1	HEX. SOCKET HEAD BOLT M5X20		2				
050	261156-6	POLYPROPYLENE WASHER 4		2				
051	346785-7	PROTECTOR CLAMP		1				
052	413336-2	PROTECTOR		1				
053	141A09-0	PROTECTOR U EXT. 350 COMPLETE		1				
054	347115-5	CUTTER		1				
055	266388-0	TAPPING SCREW 5X16		1				
056	141B05-4	PIPE COMPLETE O		1				
C10	819312-8	MAKITA LOGO LABEL		1				
C20	819J22-7	CAUTION LABEL		1				
057	213325-5	O RING 19		1				
058	168526-9	miska MS335.4U		1				
059	264025-0	matka		1				
060	451601-1	SPACER 24		1				
061	457269-1	PIPE HOLDER 24		1				
062	922244-1	H.S.H.BOLT M5X25 WITH WG		1				
063	424942-8	DAMPER		1				
064	922234-4	H.S.H.BOLT M5X20 WITH WG		2				
065	144315-6	BARRIER COMPLETE		1				
D10		INC. 66						
066	911128-8	P.H.SCREW M4X16 WITH WR		1				
074	422727-6	RUBBER CAP		1				
075	811A67-7	UR003G SERIAL NO. LABEL		1				
A01	127508-0	BAND ASS'Y		1				
A02	198893-8	CUTTER ASSEMBLY 95-M10L SET ME		1				
A03	783013-3	BOX DRIVER 16-17		1				
A04	783202-0	klíč inbus 4		1				
A05	831304-7	ACCESSORY BAG		1				
A06	126642-3	PLASTIC BLADE ASSEMBLY255-M10L		1				
A07	195150-5	CUTTER BLADE SET		1				
A08	456924-2	TOOL COVER		1				
E01	8030T4-9	SOUND XXDB LABEL		1				

Please order the parts with part number.

Print Date 3/6/2021