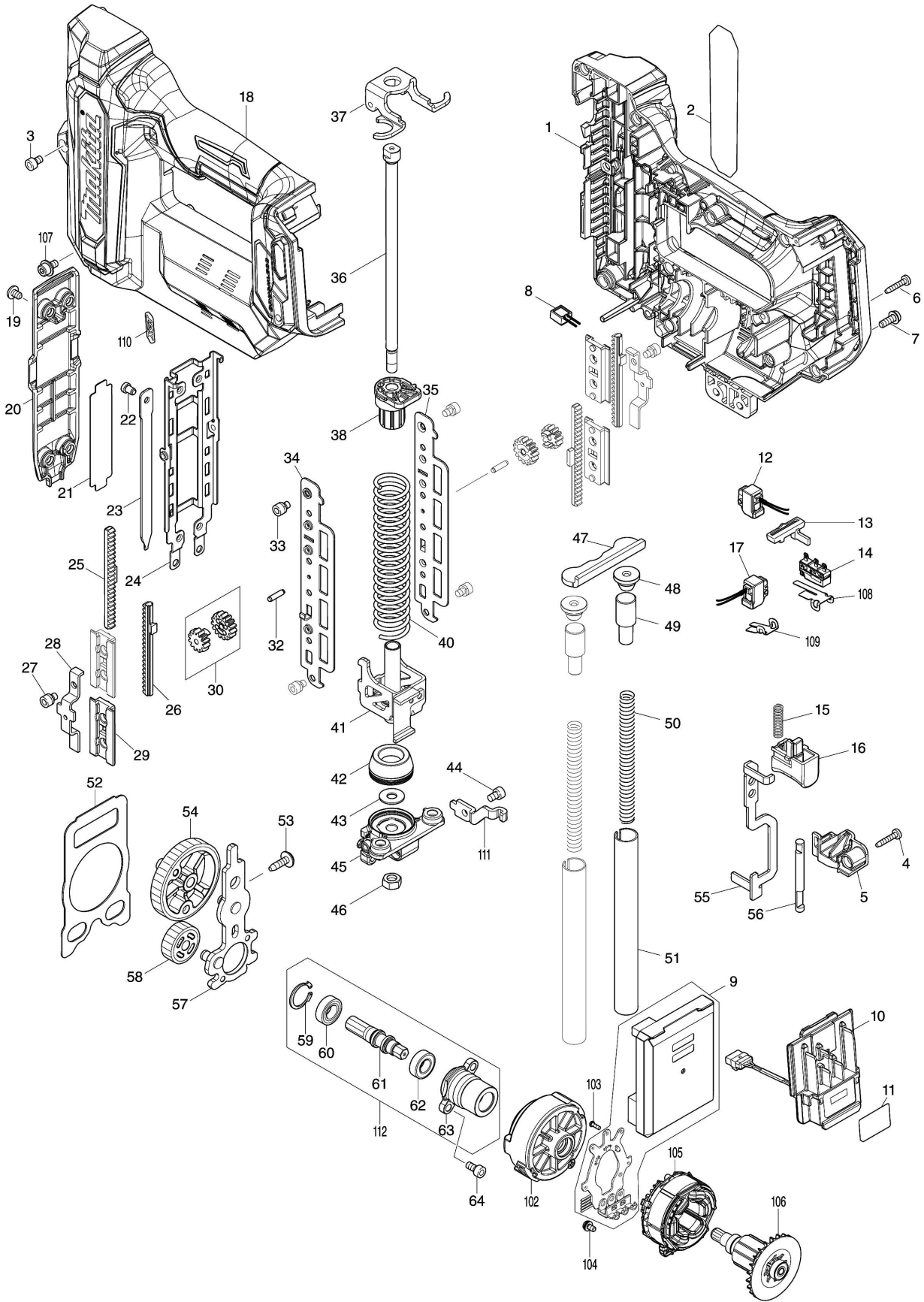
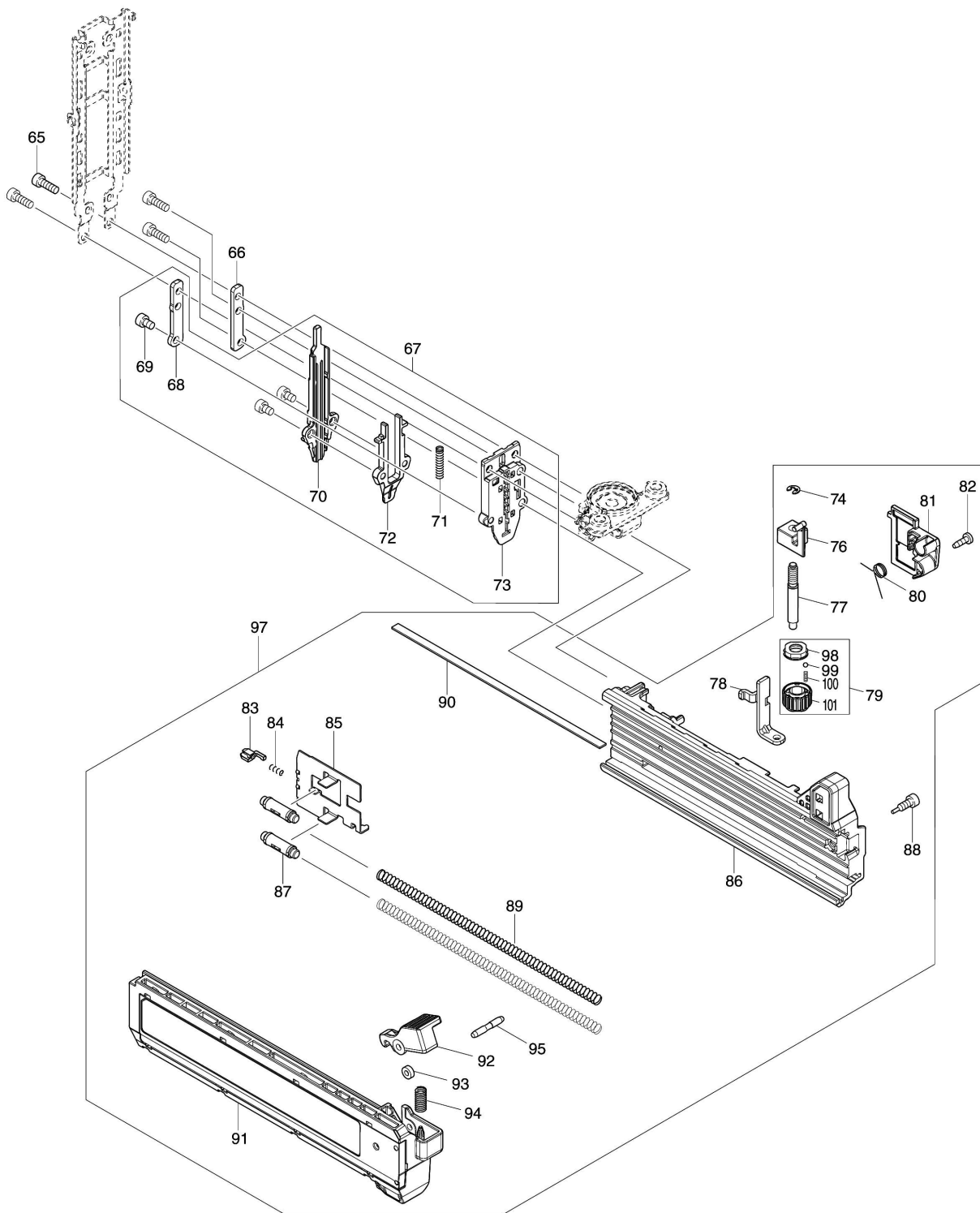


Model No.FN001G 40MM CORDLESS BRAD NAILER



# Model No.FN001G 40MM CORDLESS BRAD NAILER



Model No.FN001G 40MM CORDLESS BRAD NAILER

Položka	Číslo dílu	Popis	Změna	Množství	New/Old	Možnost 1	Možnost 2	Poznámka
001	183S31-9	HOUSING SET		1				
C10	263005-3	vymezovací čep 6		2				
C20	252126-6	HEX. LOCK NUT M4-7		2				
D10		INC. 18						
002	811922-7	FN001G NAME PLATE		1				
003	266199-3	HEX.SOCKET HEAD BOLT M4X6		2				
004	266130-9	šroub PT 3X		1				
005	413327-3	HOUSING R COVER		1				
006	266130-9	šroub PT 3X		9				
007	911108-4	šroub M4x8		2				
008	620507-6	LED CIRCUIT		1				
009	620F54-3	CONTROLLER		1				
010	632P49-4	TERMINAL UNIT		1				
011	811926-9	FN001G SERIAL NO. LABEL		1				
012	140W22-7	SWITCH COMPLETE		1				
013	456799-9	TRIGGER LOCK		1				
014	632S31-1	SWITCH UNIT		1				
015	232370-1	COMPRESSION SPRING 5		1				
016	413328-1	TRIGGER		1				
017	140W22-7	SWITCH COMPLETE		1				
018	183S31-9	HOUSING SET		1				
C10	263005-3	vymezovací čep 6		2				
C20	252126-6	HEX. LOCK NUT M4-7		2				
D10		INC. 1						
019	915101-0	BINDING HEAD SCREW M4X6		4				
020	413326-5	FRONT COVER		1				
021	347528-0	UPPER PLATE		1				
022	256882-0	FLAT FILLISTER HD. PIN 4		1				
023	347791-5	DRIVER		1				
024	347793-1	RAIL		1				
025	313352-3	COUNTER WEIGHT A		2				
026	310925-3	COUNTER WEIGHT B		2				
027	251566-5	H.S.H BOLT M4X6 WITH W		2				
028	347146-4	PINION GUIDE		2				
029	413330-4	COUNTER WEIGHT HOLDER		4				
030	136104-3	SPUR GEAR ASSEMBLY		2				
032	326902-5	PINION SHAFT		2				
033	251566-5	H.S.H BOLT M4X6 WITH W		4	*			
033-1	266199-3	HEX.SOCKET HEAD BOLT M4X6	<	4				
034	347801-8	GUIDE RAIL L		1				
035	347802-6	GUIDE RAIL R		1				
036	327756-3	GUIDE BOLT		1				
037	347796-5	BOTTOM PLATE		1				
038	313353-1	BOTTOM HOLDER		1				

Model No.FN001G 40MM CORDLESS BRAD NAILER

Položka	Číslo dílu	Popis	Změna	Množství	New/Old	Možnost 1	Možnost 2	Poznámka
040	232670-9	COMPRESSION SPRING 16		1				
041	347794-9	HAMMER		1				
042	422664-4	CUSHION		1				
043	253804-1	podložka 6		1				
044	922107-1	imbus M4x8		1				
045	312A82-9	HOLDER		1				
046	252273-3	HEX. NUT M6		1				
047	347797-3	COUNTER STOPPER		1				
048	422663-6	COUNTER CUSHION		2				
049	327757-1	WEIGHT		2				
050	232671-7	COMPRESSION SPRING 9		2				
051	327754-7	GUIDE PIPE		2				
052	347795-7	GEAR PLATE		1				
053	266901-4	TAPPING SCREW 4X14		1				
054	140Y40-7	SPUR GEAR 64 COMPLETE		1				
055	347800-0	LOCK ARM		1				
056	327753-9	LOCK PIN		1				
057	140Y39-2	BASE PLATE COMPLETE		1				
058	227860-7	SPUR GEAR 29		1				
059	962067-5	RETAINING RING R-17		1				
060	211099-2	kuličkové ložisko 689ZZ		1				
061	227859-2	SPUR GEAR 9		1				
062	211343-7	BALL BEARING 688ZZ		1				
063	312A84-5	BEARING CASE		1				
064	265911-8	HEX. SOCKET HEAD BOLT M4X8		2				
065	922117-8	HEX. SOCKET HEAD BOLT M4X12		4				
066	347523-0	PLATE		1				
067	127761-8	DRIVER GUIDE ASSEMBLY		1				
D10		INC. 68-73						
068	347523-0	PLATE		1				
069	922102-1	6-Kantschraube M4x6		3				
070	313350-7	DRIVER GUIDE		1				
071	232512-7	COMPRESSION SPRING 3		1				
072	313351-5	CENTER PLATE		1				
073	313349-2	SET PLATE		1				
074	961017-7	zajišťovací kroužek E-3		1				
076	413321-5	CONTACT ARM		1				
077	327755-5	ADJUSTER SHAFT		1				
078	347799-9	ARM		1				
079	127763-4	ADJUSTER ASSEMBLY		1				
D10		INC. 98-101						
080	232514-3	TORSION SPRING 7		1				
081	413325-7	ADJUSTER COVER		1				
082	266007-8	Tapping Screw Bind PT3x1=old320266007		1				

Model No.FN001G 40MM CORDLESS BRAD NAILER

Položka	Číslo dílu	Popis	Změna	Množství	New/Old	Možnost 1	Možnost 2	Poznámka
083	310176-8	STOPPER		1				
084	233018-8	vinutá pružina 3 JR3030T		1				
085	347792-3	PUSHER		1				
086	413324-9	MAGAZINE		1				
087	459313-0	SLEEVE		2				
088	265A52-6	HEX.SOCKET HEAD BOLT M4X14		1				
089	234325-2	COMPRESSION SPRING 6		2				
090	346774-2	NAIL PLATE		1				
091	140Y45-7	SLIDE DOOR COMPLETE		1				
092	413329-9	LEVER		1				
093	262054-7	o kroužek		1				
094	233117-6	pružina 6 GA7010C/9010C/S		1				
095	256877-3	PIN 3		1				
097	136392-2	MAGAZINE ASSY		1				
D10		INC. 74,76-95						
098	413323-1	ADJUSTER GUIDE		1				
099	216031-1	STEEL BALL 2.3		1				
100	234254-9	COMPRESSION SPRING 2		1				
101	413322-3	ADJUSTER		1				
102	127760-0	GEAR ASSEMBLY		1				
103	266490-9	TAPPING SCREW PT 2X6		3				
104	652069-6	FLAT HEAD SCREW M3X6		3				
105	629464-5	STATOR		1				
106	619676-8	ROTOR		1				
107	265B75-0	H.S.H.BOLT M4X8 WITH WG		2				
108	232672-5	LEAF SPRING		1				
109	232673-3	LEAF SPRING		1				
110	8007R2-2	XGT LOGO LABEL		1				
111	347798-1	HOLDER PLATE		1				
112	136444-9	SPUR GEAR 9 ASSY		1				
D10		INC. 59-63						
A02	251314-2	028078		1				
A03	346317-0	háček BDF/BHP446_456		1				
A04	422665-2	NOSE ADAPTER S		1				
A05	783201-2	klíč inbus 3		1				
A06B	141A98-5	PLASTIC CASE COMPLETE		1				
C10	162302-3	spona		2				
A07B	8031B3-1	FN001GA201 MODEL NO. LABEL		1				
A08B	***DC40RA	DC40RA FAST CHARGER		1				
D10		COMPO-PARTS						
A09B	191L29-0	BATTERY BL4020 SET		2				
A10B	412393-7	BATTERY COVER		1				

Please order the parts with part number.

Print Date 2/6/2021