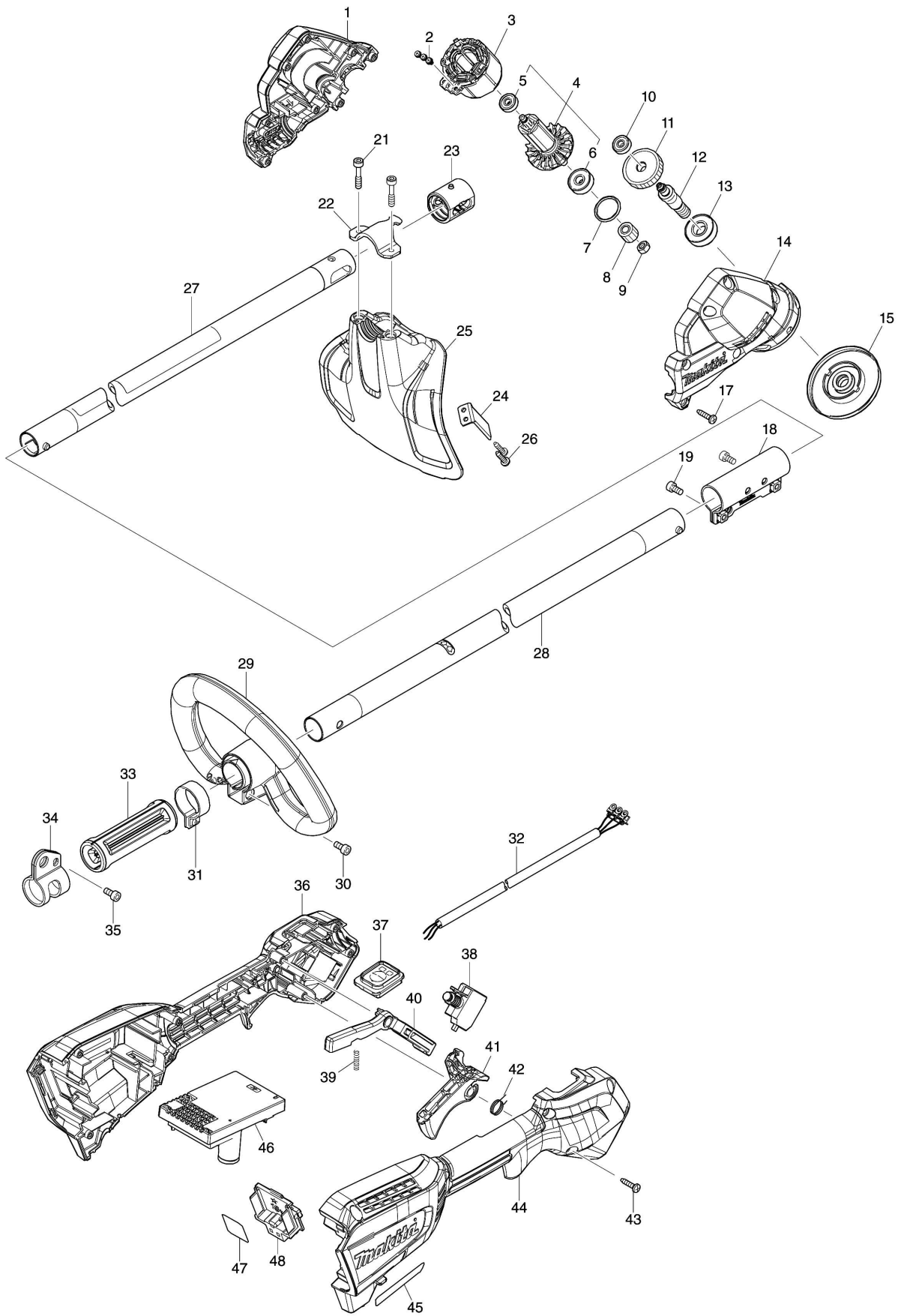


Model No.DUR192L CORDLESS GRASS TRIMMER



Model No.DUR192L CORDLESS GRASS TRIMMER

Položka	Číslo dílu	Popis	Změna	Množství	New/Old	Možnost 1	Možnost 2	Poznámka
001	183R54-1	MOTOR HOUSING SET		1				
D10		INC. 14						
002	652069-6	FLAT HEAD SCREW M3X6		3				
003	629A22-3	STATOR		1				
004	519643-2	ROTOR ASS'Y		1				
D10		INC. 5,6						
005	210235-7	BALL BEARING 625ZZ		1				
006	210236-5	BALL BEARING 627ZZ		1				
007	213843-3	O-RING 21		1				
008	227831-4	HELICAL GEAR 11		1	*			
008-1	227883-5	HELICAL GEAR 11	<	1				
009	931302-2	HEX. NUT M6		1				
010	210235-7	BALL BEARING 625ZZ		1				
011	227830-6	HELICAL GEAR 32		1				
012	327678-7	CUTTER SHAFT		1				
013	210216-1	BALL BEARING 6001DDW		1				
014	183R54-1	MOTOR HOUSING SET		1				
D10		INC. 1						
015	140W47-1	RECEIVE WASHER COMPLETE		1				
C10	213134-2	O-RING 11		1				
017	266326-2	TAPPING SCREW 4X18		8				
018	347747-8	JOINT 24		1				
019	922207-7	HEX. SOCKET HEAD BOLT M5X10		2				
021	251513-6	H.S.H.BOLT M5X25		2				
022	347667-6	PROTECTOR CLAMP		1				
023	424567-8	RUBBER SLEEVE 24		1				
024	346855-2	CUTTER		1				
025	412580-8	PROTECTOR N 330		1				
026	266326-2	TAPPING SCREW 4X18		2				
027	140W46-3	PIPE COMPLETE C		1				
C10	8023L9-8	CAUTION LABEL		1				
C20	819312-8	MAKITA LOGO LABEL		1				
028	140W45-5	PIPE COMPLETE B		1				
C10	808723-2	CAUTION LABEL		1				
029	457937-6	LOOP HANDLE 24		1				
030	922212-4	HEX. SOCKET HEAD BOLT M5X12		1				
031	347011-7	PIPE CLAMP 29		1				
032	699157-8	POWER SUPPLY CORD UNIT		1				
033	451601-1	SPACER 24		1				
034	347116-3	HANGER		1				
035	922212-4	HEX. SOCKET HEAD BOLT M5X12		1				
036	183R55-9	GRIP HOUSING SET		1				
C10	263005-3	RUBBER PIN 6		3				
D10		INC. 44						

Please order the parts with part number.

Print Date 29/3/2021

Model No.DUR192L CORDLESS GRASS TRIMMER

Položka	Číslo dílu	Popis	Změna	Množství	New/Old	Možnost 1	Možnost 2	Poznámka
037	140W41-3	SWITCH CIRCUIT COMPLETE		1				
C10	8007N9-0	SWITCH LABEL		1				
038	651494-8	SWITCH C3JW-1A-PA-2		1				
039	233101-1	COMPRESSION SPRING 4		1				
040	412863-6	LOCK OFF LEVER		1				
041	459758-2	SWITCH LEVER		1				
042	233622-3	TORSION SPRING 12		1				
043	266326-2	TAPPING SCREW 4X18		8				
044	183R55-9	GRIP HOUSING SET		1				
C10	263005-3	RUBBER PIN 6		3				
D10		INC. 36						
045	857T44-9	DUR192L NAME PLATE		1				
046	620D79-5	CONTROLLER		1				
047	857T51-2	DUR192L SERIAL NO. LABEL		1				
048	644809-6	TERMINAL		1				
A01	198893-8	CUTTER ASSEMBLY 95- M10L SET ME		1				
A02	127508-0	BAND ASS'Y		1				
A03	783202-0	HEX. WRENCH 4		1				
A05B	***DC18SD	DC18SD BATTERY CHARGER		1				
D10		COMPO-PARTS						
A06B	197280-8	BATTERY BL1850B SET		1				
E01	800A41-0	SOUND 89DB LABEL		1				

Please order the parts with part number.

Print Date 29/3/2021